

# Scheibenbremsbeläge

## Disc brake pads

## Plaquettes de freins

- hochwertige Reibmaterialien in organischer-, Sinter- oder Carbon Mischung
- 6 Scheibenbremsbeläge mit ABE/TÜV, 6 Belagmaterialien ohne ABE/TÜV
- Sinterbeläge mit dem HH-Reibwert (SV, SRQ) garantieren höchste Bremsleistung bei geringer Handkraft
- organische TRW Beläge decken ein breites Spektrum ab. Bei internen Tests durch ein unabhängiges Prüflabor wurde eine bis zu 3-fache Lebensdauer gegenüber dem Erstausrüstungsbelag festgestellt.
- die Carbonmischung bedarf einer sorgfältigen Einbremsprozedur
- gute Verträglichkeit auf allen marktüblichen Stahlscheiben
- bei Geräuschen bitte Vibrationsfolie verwenden: MCB 100

- high-quality organic, sinter or carbon mixture friction materials
- 6 disc brake pads with TÜV, 6 pad materials without TÜV
- sinter pads with an HH coefficient of friction (SV, SRQ) guarantee the highest levels of braking with little manual force
- organic TRW pads cover a wide range. Internal tests carried out by an independent laboratory demonstrated up to three times the service life compared with original equipment pads.
- the carbon mixture requires careful braking in
- good tolerance on market-standard steel discs

- matériaux de frottement de grande qualité composés d'un alliage organique, fritté ou de carbone
- 6 plaquettes pour freins à disque homologuées TÜV, 6 matériaux de plaquette non homologués TÜV
- des plaquettes frittées avec le coefficient de frottement HH (SV, SRQ) garantissent une puissance de freinage maximale pour une force manuelle réduite
- les plaquettes organiques TRW couvrent un large éventail. Des tests internes réalisés par un laboratoire d'essai indépendant ont permis d'attester d'une durée de vie trois fois plus longue que pour une plaquette de première monte
- l'alliage de carbone requiert une procédure de freinage soignée
- bonne compatibilité sur tous les disques en acier courants



MCB 100

### Kennzahl für die Reibwertkategorie

Code for the friction coefficient category  
Code pour la catégorie de frottement

### Hersteller-Logo

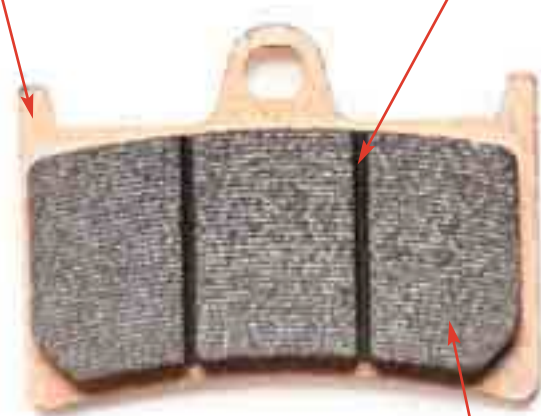
Manufacturer's logo  
Logo du fabricant

### Trägerplatte

Backing plate  
Support métallique

### Nut zum Ausgasen und Ableiten von Wasser und Bremsstaub

Groove for air expulsion and draining water and brake dust  
Rainure pour les gaz d'échappement et l'évacuation de l'eau et des poussières de freinage



### Artikelnummer

Part number  
Numéro d'article

KBA-Nummer = ABE  
Homologation code  
Code homologation

### Eingestanzter, 7-stelliger Produktionscode

Punched, 7-digit production code  
Code de production unique à 7 chiffres

### Reibbelag (Abb. Sintermetall)

Friction lining (fig. sinter)  
Revêtement de friction (sinter)



## Adly (Her Chee)

|     |     |             |  |       |                     |           |           |  |                   |           |           |
|-----|-----|-------------|--|-------|---------------------|-----------|-----------|--|-------------------|-----------|-----------|
|     | 25  | Silver Fox  |  | 00-   | <b>MCB 590</b>      | <b>EC</b> |           |  | <b>MCS 962</b>    |           |           |
| AT  | 50  | Air Tech    |  | 08-   | <b>MCB 519</b>      | <b>EC</b> | <b>SR</b> |  |                   |           |           |
|     | 50  | Fox         |  | 00-   | <b>MCB 590</b>      | <b>EC</b> |           |  | <b>MCS 962</b>    |           |           |
|     | 50  | Jet         |  |       | <b>MCB 519</b>      | <b>EC</b> | <b>SR</b> |  | <b>MCS 962</b>    |           |           |
| NB  | 50  | Nobel       |  | 08-   | <b>MCB 519</b>      | <b>EC</b> | <b>SR</b> |  |                   |           |           |
| P   | 50  | Panther     |  | 02-   | <b>MCB 519</b>      | <b>EC</b> | <b>SR</b> |  | <b>MCS 962</b>    |           |           |
| SF  | 50  | Silver Fox  |  | 00-   | <b>MCB 590</b>      | <b>EC</b> |           |  | <b>MCS 962</b>    |           |           |
| SS  | 50  | Super Sonic |  | 00-   | <b>MCB 519</b>      | <b>EC</b> | <b>SR</b> |  | <b>MCB 519</b>    | <b>EC</b> | <b>SR</b> |
| TB  | 50  | Thunderbike |  |       | <b>MCB 519</b>      | <b>EC</b> | <b>SR</b> |  | <b>MCB 519</b>    | <b>EC</b> | <b>SR</b> |
| RT  | 50  | Road Tracer |  | 02-   | <b>MCB 590</b>      | <b>EC</b> |           |  | <b>MCS 962</b>    |           |           |
| TB  | 125 | Thunderbike |  |       | <b>MCB 519</b>      | <b>EC</b> | <b>SR</b> |  | <b>MCB 519</b>    | <b>EC</b> | <b>SR</b> |
| ATV | 150 |             |  | 05-   | <b>MCB 519 SI *</b> | <b>EC</b> |           |  | <b>MCB 519 SI</b> | <b>EC</b> |           |
| ATV | 300 |             |  | 05-06 | <b>MCB 519 SI *</b> | <b>EC</b> |           |  | <b>MCB 519 SI</b> | <b>EC</b> |           |
|     | 300 | Cross       |  | 07-   | <b>MCB 760 SI *</b> |           |           |  | <b>MCB 805 SI</b> |           |           |
| ATV | 300 | Sport       |  | 07-   | <b>MCB 760 SI *</b> |           |           |  | <b>MCB 805 SI</b> |           |           |
|     | 320 | S, U        |  | 07-   | <b>MCB 760 SI *</b> |           |           |  | <b>MCB 805 SI</b> |           |           |
|     | 500 | S           |  | 08-   | <b>MCB 760 SI *</b> |           |           |  | <b>MCB 805 SI</b> |           |           |

## Aeon

|  |     |                    |  |     |                     |           |           |  |                   |           |  |
|--|-----|--------------------|--|-----|---------------------|-----------|-----------|--|-------------------|-----------|--|
|  | 50  | Aero, Regal, Torch |  | 06- | <b>MCB 519</b>      | <b>EC</b> | <b>SR</b> |  |                   |           |  |
|  | 50  | /100/125/150 Nox   |  | 06- | <b>MCB 519</b>      | <b>EC</b> | <b>SR</b> |  |                   |           |  |
|  | 100 | /125/150 Pulsar    |  | 06- | <b>MCB 519</b>      | <b>EC</b> | <b>SR</b> |  |                   |           |  |
|  | 125 | /180 Overland      |  | 02- |                     |           |           |  | <b>MCB 615 SI</b> |           |  |
|  | 200 | Two Hundred        |  | 06- | <b>MCB 519 SI *</b> | <b>EC</b> |           |  | <b>MCB 519 SI</b> | <b>EC</b> |  |
|  | 300 | Overland           |  | 06- | <b>MCB 519 SI *</b> | <b>EC</b> |           |  | <b>MCB 519 SI</b> | <b>EC</b> |  |

## Alfer

|     |     |           |  |     |                |           |  |  |                |           |  |
|-----|-----|-----------|--|-----|----------------|-----------|--|--|----------------|-----------|--|
| MC  | 80  |           |  | 87- | <b>MCB 75</b>  |           |  |  | <b>MCB 535</b> |           |  |
| MC  | 125 |           |  | 88- | <b>MCB 572</b> |           |  |  | <b>MCB 75</b>  |           |  |
| VRE | 125 | 4-stroke  |  | 00- | <b>MCB 648</b> | <b>SI</b> |  |  | <b>MCB 672</b> | <b>SI</b> |  |
|     | 250 | GR Enduro |  | 88- | <b>MCB 572</b> |           |  |  | <b>MCB 75</b>  |           |  |
| MC  | 250 |           |  | 88- | <b>MCB 572</b> |           |  |  | <b>MCB 75</b>  |           |  |
|     | 300 | GR Enduro |  | 88- | <b>MCB 572</b> |           |  |  | <b>MCB 75</b>  |           |  |

## Aprilia

|      |    |                      |          |       |                |           |            |  |                |           |           |
|------|----|----------------------|----------|-------|----------------|-----------|------------|--|----------------|-----------|-----------|
|      | 50 | Amico GL, LB, Sport  | HV       | 93-   | <b>MCB 674</b> | <b>EC</b> | <b>SR</b>  |  | <b>MCS 800</b> |           |           |
|      | 50 | Amico LX             |          | 90-   | <b>MCS 800</b> |           |            |  | <b>MCS 800</b> |           |           |
|      | 50 | Area 51              | MY       | 98    | <b>MCB 674</b> | <b>EC</b> | <b>SR</b>  |  | <b>MCB 674</b> | <b>EC</b> | <b>SR</b> |
|      | 50 | Area 51              | MY       | 99-   | <b>MCB 696</b> | <b>EC</b> | <b>SR</b>  |  | <b>MCB 696</b> | <b>EC</b> | <b>SR</b> |
|      | 50 | Classic              | GI       | 96-   | <b>MCB 674</b> | <b>EC</b> | <b>SR</b>  |  | <b>MCS 800</b> |           |           |
|      | 50 | Gulliver, LC         | LH02     | 96    | <b>MCB 674</b> | <b>EC</b> | <b>SR</b>  |  | <b>MCS 800</b> |           |           |
|      | 50 | Habana, Custom       | PK       | 99    | <b>MCB 696</b> | <b>EC</b> | <b>SR</b>  |  | <b>MCS 818</b> |           |           |
|      | 50 | Mojito, Custom       | PK       | 02-   | <b>MCB 696</b> | <b>EC</b> | <b>SR</b>  |  | <b>MCS 818</b> |           |           |
|      | 50 | Pegaso               |          | 93-   | <b>MCB 664</b> |           |            |  | <b>MCB 552</b> |           |           |
|      | 50 | Red Rose             |          | 88-89 | <b>MCB 564</b> | <b>SR</b> |            |  |                |           |           |
|      | 50 | Red Rose Classic     |          | 90-   | <b>MCB 578</b> |           |            |  |                |           |           |
|      | 50 | Scarabeo, 2nd series | MS       | 94-99 | <b>MCB 674</b> | <b>EC</b> | <b>SR</b>  |  | <b>MCS 800</b> |           |           |
|      | 50 | Scarabeo 4T          |          | 04-   | <b>MCB 709</b> | <b>EC</b> |            |  |                |           |           |
|      | 50 | Scarabeo Di-tech     | SC/TG/TH | 02-   | <b>MCB 674</b> | <b>EC</b> | <b>SR</b>  |  | <b>MCB 710</b> | <b>EC</b> |           |
|      | 50 | Scarabeo, de Lux     | SC/TG/TH | 98-01 | <b>MCB 674</b> | <b>EC</b> | <b>SR</b>  |  | <b>MCB 674</b> | <b>EC</b> | <b>SR</b> |
|      | 50 | Scarabeo, Street     |          | 00-   | <b>MCB 674</b> | <b>EC</b> | <b>SR</b>  |  | <b>MCS 800</b> |           |           |
|      | 50 | Sonic LC, AC         | PB       | 99-   | <b>MCB 674</b> | <b>EC</b> | <b>SR</b>  |  | <b>MCS 800</b> |           |           |
|      | 50 | Sport City one       |          | 08-   | <b>MCB 744</b> | <b>EC</b> |            |  | <b>MCS 800</b> |           |           |
|      | 50 | Tuareg               |          | 87-   | <b>MCB 578</b> |           |            |  | <b>MCB 75</b>  |           |           |
|      | 50 | Tuareg               |          | -86   | <b>MCB 75</b>  | <b>SI</b> |            |  |                |           |           |
|      | 50 | Tuareg Rally         |          | 90-   | <b>MCB 578</b> |           |            |  | <b>MCB 552</b> |           |           |
|      | 50 | Tuono                |          | 04-   | <b>MCB 734</b> |           |            |  | <b>MCB 75</b>  |           |           |
| AC   | 50 | Rally                | MD       | 97-   | <b>MCB 644</b> | <b>EC</b> |            |  | <b>MCS 800</b> |           |           |
| AF1  | 50 | AE, alle Modelle     |          | 86-   | <b>MCB 578</b> |           |            |  | <b>MCB 552</b> |           |           |
| AF1  | 50 | Europa               |          | 90-   | <b>MCB 578</b> |           |            |  | <b>MCB 552</b> |           |           |
| AF1  | 50 | Futura               |          | 90-   | <b>MCB 578</b> |           |            |  | <b>MCB 552</b> |           |           |
| LC   | 50 | Rally                | MD       | 97-   | <b>MCB 674</b> | <b>EC</b> | <b>SR</b>  |  | <b>MCB 674</b> | <b>EC</b> | <b>SR</b> |
| MX   | 50 |                      |          | 03-   | <b>MCB 734</b> |           |            |  | <b>MCB 75</b>  |           |           |
| MX   | 50 | Super Moto           |          | 04-   | <b>MCB 648</b> | <b>SV</b> | <b>RSI</b> |  | <b>MCB 628</b> |           |           |
| RS   | 50 | Extrema              | HP       | 93-95 | <b>MCB 578</b> |           |            |  | <b>MCB 75</b>  |           |           |
| RS   | 50 | R, Extrema           | HP       | 96-99 | <b>MCB 644</b> |           | <b>RQ</b>  |  | <b>MCB 552</b> |           |           |
| RS   | 50 | Replica              | PG       | 00-02 | <b>MCB 664</b> |           |            |  | <b>MCB 552</b> |           |           |
| RS   | 50 | Replica              | TS       | 03-05 | <b>MCB 664</b> |           |            |  | <b>MCB 552</b> |           |           |
| RS-4 | 50 |                      |          | 12-   | <b>MCB 780</b> | <b>SV</b> |            |  | <b>MCB 519</b> | <b>EC</b> |           |
| RX   | 50 | Racing               | TT       | 04-06 | <b>MCB 664</b> |           |            |  | <b>MCB 552</b> |           |           |



→ APRILIA

|       |     |                       |         |       |                     |                    |            |            |                    |            |           |  |
|-------|-----|-----------------------|---------|-------|---------------------|--------------------|------------|------------|--------------------|------------|-----------|--|
| SR    | 50  | Di-Tech               | RL      | 01-   | <b>MCB 644</b>      | <b>EC</b>          |            |            | <b>MCB 710</b>     | <b>EC</b>  |           |  |
| SR    | 50  | LC                    | LB      | 93-   | <b>MCB 674</b>      | <b>EC</b>          | <b>SR</b>  |            | <b>MCS 800</b>     |            |           |  |
| SR    | 50  | Netscaper             | LY      | 97-   | <b>MCB 674</b>      | <b>EC</b>          | <b>SR</b>  |            | <b>MCS 800</b>     |            |           |  |
| SR    | 50  | Racing                | RL      | 00-   | <b>MCB 674</b>      | <b>EC</b>          | <b>SR</b>  |            | <b>MCB 710</b>     | <b>EC</b>  |           |  |
| SR    | 50  | Replica               | MZ      | 96    | <b>MCB 674</b>      | <b>EC</b>          | <b>SR</b>  |            | <b>MCS 800</b>     |            |           |  |
| SR    | 50  | Replica               | MZ      | 97-   | <b>MCB 674</b>      | <b>EC</b>          | <b>SR</b>  |            | <b>MCB 674</b>     | <b>EC</b>  | <b>SR</b> |  |
| SR    | 50  | Stealth, Racing       | LY      | 97-   | <b>MCB 674</b>      | <b>EC</b>          | <b>SR</b>  |            | <b>MCB 674</b>     | <b>EC</b>  | <b>SR</b> |  |
| SR    | 50  | Street/R/Factory      |         | 04-   | <b>MCB 674</b>      | <b>EC</b>          | <b>SR</b>  |            | <b>MCB 710</b>     | <b>EC</b>  |           |  |
| SR    | 50  | Urban Kid             | MR      | 93-   | <b>MCB 644</b>      | <b>EC</b>          |            |            | <b>MCS 800</b>     |            |           |  |
| SR    | 50  | Viper                 | MR      | 93-   | <b>MCB 644</b>      | <b>EC</b>          |            |            | <b>MCS 800</b>     |            |           |  |
| SR    | 50  | www                   | LY      | 97-   | <b>MCB 674</b>      | <b>EC</b>          | <b>SR</b>  |            | <b>MCS 800</b>     |            |           |  |
|       | 100 | Scarabeo 4T           |         | 03-   | <b>MCB 709</b>      | <b>SRM</b>         | <b>EC</b>  |            | <b>MCS 994</b>     |            |           |  |
|       | 125 | Atlantic              |         | 03-   | <b>MCB 726</b>      | <b>SRM</b>         |            |            | <b>MCB 710</b>     | <b>SRM</b> | <b>EC</b> |  |
|       | 125 | Classic               |         | 96-   | <b>MCB 629</b>      |                    |            |            |                    |            |           |  |
|       | 125 | Classic (Red rose)    |         | 90-95 | <b>MCB 629</b>      |                    |            |            | <b>MCB 75</b>      |            |           |  |
|       | 125 | Habana/Custom         | PM      | 99-01 | <b>MCB 709</b>      | <b>SRM</b>         | <b>EC</b>  |            | <b>MCS 994</b>     |            |           |  |
|       | 125 | Leonardo              | MB00    | 97-98 | <b>MCB 708</b>      | <b>EC</b>          |            |            | <b>MCB 696</b>     | <b>EC</b>  | <b>SR</b> |  |
|       | 125 | Leonardo              | MB00    | 99-   | <b>MCB 709</b>      | <b>SRM</b>         | <b>EC</b>  |            | <b>MCB 709</b>     | <b>SRM</b> | <b>EC</b> |  |
|       | 125 | Mojito, Custom        | PM      | 02-   | <b>MCB 709</b>      | <b>SRM</b>         | <b>EC</b>  |            | <b>MCS 994</b>     |            |           |  |
|       | 125 | Mojito, Mojito Custom | PM      | 02-   | <b>MCB 709</b>      | <b>SRM</b>         | <b>EC</b>  |            | <b>MCS 994</b>     |            |           |  |
|       | 125 | Pegaso (Brembo)       |         | 90-91 | <b>MCB 629</b>      |                    |            |            | <b>MCB 517</b>     |            |           |  |
|       | 125 | Pegaso (Grimeca)      |         | 92-   | <b>MCB 664</b>      |                    |            |            | <b>MCB 628</b>     |            |           |  |
|       | 125 | Red Rose              |         | 89    | <b>MCB 557</b>      |                    |            |            | <b>MCB 75</b>      |            |           |  |
|       | 125 | Scarabeo, GT          | PC      | 99-02 | <b>MCB 557</b>      | <b>SRM</b>         |            |            | <b>MCB 710</b>     | <b>SRM</b> | <b>EC</b> |  |
|       | 125 | Scarabeo, GT          | TD      | 04-   | <b>MCB 726</b>      | <b>SRM</b>         |            |            | <b>MCB 710</b>     | <b>SRM</b> | <b>EC</b> |  |
|       | 125 | Sportcity             |         | 04-08 | <b>MCB 557</b>      | <b>SRM</b>         |            |            | <b>MCB 710</b>     | <b>SRM</b> | <b>EC</b> |  |
|       | 125 | Sportcity Cube        |         | 08-   | <b>MCB 557</b>      | <b>SRM</b>         |            |            | <b>MCB 710</b>     | <b>SRM</b> | <b>EC</b> |  |
|       | 125 | Tuareg                |         | 89-   | <b>MCB 629</b>      |                    |            |            | <b>MCB 628</b>     |            |           |  |
|       | 125 | Tuareg Rally          |         | 86-88 | <b>MCB 557</b>      |                    |            |            |                    |            |           |  |
|       | 125 | Tuareg Rally          |         | 89-   | <b>MCB 618</b>      |                    |            |            | <b>MCB 519</b>     |            |           |  |
|       | 125 | Tuareg Wind           |         | 88-89 | <b>MCB 579</b>      | <b>SI</b>          |            |            | <b>MCB 552</b>     |            |           |  |
|       | 125 | Tuareg Wind           |         | 90-   | <b>MCB 629</b>      |                    |            |            | <b>MCB 628</b>     |            |           |  |
|       | 125 | Tuono                 | SF      | 04-   | <b>MCB 572</b>      | <b>RQ</b>          |            |            | <b>MCB 75</b>      |            |           |  |
| AF1   | 125 | Replica               |         | 88-   | <b>MCB 579</b>      |                    |            |            | <b>MCB 75</b>      |            |           |  |
| AF1   | 125 | Sintesi               |         | 89-92 | <b>MCB 572</b>      | <b>RQ</b>          |            |            | <b>MCB 75</b>      |            |           |  |
| ETX   | 125 |                       | PH      | 99-   | <b>MCB 664</b>      |                    |            |            | <b>MCB 628</b>     |            |           |  |
| MX    | 125 | Supermoto             |         | 04-   | <b>MCB 648</b>      | <b>SI</b>          | <b>RSI</b> | <b>EC</b>  | <b>MCB 667 SI</b>  |            |           |  |
| RS    | 125 | , Extrema             | GS      | 93-98 | <b>MCB 572</b>      | <b>RQ</b>          | <b>SRQ</b> |            | <b>MCB 775</b>     |            |           |  |
| RS    | 125 | Replica               | MP      | 99-05 | <b>MCB 572</b>      | <b>RQ</b>          | <b>SRQ</b> |            | <b>MCB 775</b>     |            |           |  |
| RS    | 125 |                       | SF      | 06-   | <b>MCB 785</b>      | <b>SV</b>          | <b>SRQ</b> |            | <b>MCB 710</b>     |            |           |  |
| RS-4  | 125 |                       |         | 11-   | <b>MCB 780</b>      | <b>SV</b>          |            |            | <b>MCB 535</b>     |            |           |  |
| RX    | 125 |                       |         | 86-89 | <b>MCB 557</b>      |                    |            |            |                    |            |           |  |
| RX    | 125 |                       |         | 90-91 | <b>MCB 618</b>      |                    |            |            | <b>MCB 75</b>      |            |           |  |
| RX    | 125 |                       | MT      | 97-   | <b>MCB 648</b>      | <b>SI</b>          | <b>RSI</b> | <b>EC</b>  | <b>MCB 667 SI</b>  |            |           |  |
| RX    | 125 |                       |         | 92-96 | <b>MCB 664</b>      |                    |            |            | <b>MCB 628</b>     |            |           |  |
| SX    | 125 |                       |         | 08-   | <b>MCB 648</b>      | <b>SI</b>          | <b>RSI</b> | <b>EC</b>  | <b>MCB 657</b>     |            |           |  |
| SR    | 125 | Racing                | PX125   | 99-   | <b>MCB 709</b>      | <b>SRM</b>         | <b>EC</b>  |            | <b>MCS 994</b>     |            |           |  |
| SR    | 125 | Max i.e.              |         | 12-   | <b>MCB 744</b>      | <b>SRM</b>         | <b>EC</b>  |            | <b>MCB 744</b>     | <b>SRM</b> | <b>EC</b> |  |
|       | 125 | Sport City            |         | 04-08 | <b>MCB 557</b>      |                    |            |            | <b>MCB 710</b>     | <b>SRM</b> | <b>EC</b> |  |
|       | 125 | Sport City Cube       |         | 08-   | <b>MCB 557</b>      |                    |            |            | <b>MCB 710</b>     | <b>SRM</b> | <b>EC</b> |  |
|       | 125 | Sport City One        |         | 08-   | <b>MCB 744</b>      | <b>SRM</b>         | <b>EC</b>  |            | <b>MCS 994</b>     |            |           |  |
|       | 150 | Leonardo              | MB      | 97-98 | <b>MCB 708</b>      | <b>EC</b>          |            |            | <b>MCB 696</b>     | <b>EC</b>  | <b>SR</b> |  |
|       | 150 | Leonardo              | MB      | 99-   | <b>MCB 709</b>      | <b>SRM</b>         | <b>EC</b>  |            | <b>MCB 709</b>     | <b>SRM</b> | <b>EC</b> |  |
|       | 150 | Scarabeo              | PC      | 99    | <b>MCB 557</b>      | <b>SRM</b>         |            |            | <b>MCB 710</b>     | <b>SRM</b> | <b>EC</b> |  |
|       | 150 | Scarabeo, GT          | TD      | 04-   | <b>MCB 726</b>      | <b>SRM</b>         |            |            | <b>MCB 710</b>     | <b>SRM</b> | <b>EC</b> |  |
| SR    | 150 |                       | PX      | 99-00 | <b>MCB 709</b>      | <b>SRM</b>         | <b>EC</b>  |            | <b>MCS 994</b>     |            |           |  |
|       | 200 | Atlantic              | SP      | 03-   | <b>MCB 726</b>      | <b>SRM</b>         |            |            | <b>MCB 710</b>     | <b>SRM</b> | <b>EC</b> |  |
|       | 200 | Scarabeo, GT          | SD      | 02-   | <b>MCB 557</b>      | <b>SRM</b>         |            |            | <b>MCB 710</b>     | <b>SRM</b> | <b>EC</b> |  |
|       | 200 | Scarabeo              |         | 07-   | <b>MCB 726</b>      | <b>SRM</b>         |            |            | <b>MCB 710</b>     | <b>SRM</b> | <b>EC</b> |  |
|       | 200 | Sportcity             | VB      | 05-08 | <b>MCB 557</b>      | <b>SRM</b>         |            |            | <b>MCB 710</b>     | <b>SRM</b> | <b>EC</b> |  |
|       | 200 | Sport City Cube       |         | 08-   | <b>MCB 557</b>      | <b>SRM</b>         |            |            | <b>MCB 710</b>     | <b>SRM</b> | <b>EC</b> |  |
| Trial | 240 | Climber               |         | 89-   | <b>MCB 578</b>      |                    |            |            | <b>MCB 552</b>     |            |           |  |
|       | 250 | Leonardo              | Grimeca | PD    | 99-01               | <b>MCB 557 SRM</b> |            |            | <b>MCB 710 SRM</b> |            |           |  |
|       | 250 | Leonardo              |         | 99-   | <b>MCB 709 SRM</b>  |                    |            |            | <b>MCB 710 SRM</b> |            |           |  |
| AF1   | 250 | Replica               |         | 90-   | <b>MCB 572</b>      | <b>RQ</b>          |            |            | <b>MCB 75</b>      | <b>RQ</b>  |           |  |
| RS    | 250 |                       | LD01    | 95-96 | <b>MCB 540 SV</b>   | <b>SRQ</b>         | <b>CRQ</b> | <b>CRQ</b> | <b>MCB 75</b>      | <b>RQ</b>  |           |  |
| RS    | 250 |                       |         | 97-02 | <b>MCB 683 SV *</b> | <b>SRQ</b>         | <b>CRQ</b> | <b>SCR</b> | <b>MCB 75</b>      | <b>RQ</b>  |           |  |
| RS    | 250 | Pista                 |         | 04-   | <b>MCB 683 SV *</b> | <b>SRQ</b>         | <b>CRQ</b> | <b>SCR</b> | <b>MCB 75</b>      | <b>RQ</b>  |           |  |
|       | 250 | Atlantic ie           |         | 07-   | <b>MCB 726</b>      | <b>SRM</b>         |            |            | <b>MCB 710</b>     | <b>SRM</b> |           |  |





## → APRILIA

|       |      |                         |            |       |                      |            |            |            |                    |            |           |  |
|-------|------|-------------------------|------------|-------|----------------------|------------|------------|------------|--------------------|------------|-----------|--|
|       | 250  | Scarabeo GT, ie         |            | 06-   | <b>MCB 726</b>       | <b>SRM</b> |            |            | <b>MCB 710</b>     | <b>SRM</b> |           |  |
|       | 250  | Sport City ie           | Grimeca    | 06-08 | <b>MCB 557</b>       | <b>SRM</b> |            |            | <b>MCB 710</b>     | <b>SRM</b> |           |  |
|       | 250  | Sport City Cube         | Grimeca    | 08-   | <b>MCB 557</b>       | <b>SRM</b> |            |            | <b>MCB 710</b>     | <b>SRM</b> |           |  |
|       | 280  | Climber                 |            | 93-   | <b>MCB 535</b>       | <b>RQ</b>  | <b>EC</b>  |            | <b>MCB 535</b>     | <b>EC</b>  |           |  |
| Trial | 280  | Climber                 |            | 89-   | <b>MCB 578</b>       |            |            |            | <b>MCB 552</b>     |            |           |  |
|       | 300  | Sport City Cube         | Grimeca    | 08-   | <b>MCB 557 SRM</b>   |            |            |            | <b>MCB 710 SRM</b> |            |           |  |
| SR    | 300  | Max i.e.                |            | 12-   | <b>MCB 744 SRM</b>   | <b>EC</b>  |            |            | <b>MCB 744 SRM</b> | <b>EC</b>  |           |  |
| TX    | 300  | M                       |            | 86-   | <b>MCB 535</b>       | <b>RQ</b>  | <b>EC</b>  |            |                    |            |           |  |
|       | 300  | Leonardo                | Grimeca SV | 05-   | <b>MCB 557 SRM</b>   |            |            |            | <b>MCB 710 SRM</b> |            |           |  |
| TX    | 311  | M                       |            | 86-   | <b>MCB 535</b>       | <b>RQ</b>  | <b>EC</b>  |            | <b>MCB 535</b>     | <b>EC</b>  |           |  |
| TXR   | 312  | M                       |            | 88-   | <b>MCB 535</b>       | <b>RQ</b>  | <b>EC</b>  |            | <b>MCB 535</b>     | <b>EC</b>  |           |  |
|       | 350  | Tuareg Wind             |            | 87-88 | <b>MCB 557</b>       |            |            |            | <b>MCB 75</b>      |            |           |  |
|       | 350  | Tuareg Wind             |            | 89    | <b>MCB 618</b>       |            |            |            | <b>MCB 628</b>     |            |           |  |
|       | 350  | Tuareg Wind             |            | 90-   | <b>MCB 618</b>       |            |            |            | <b>MCB 523</b>     |            |           |  |
| ETX   | 350  | AE                      |            | 86-   | <b>MCB 557</b>       |            |            |            | <b>MCB 75</b>      |            |           |  |
|       | 400  | Scarabeo ie             |            | 07-   | <b>MCB 557 SRM</b>   |            |            |            | <b>MCB 710 SRM</b> |            |           |  |
| MXV   | 450  |                         |            | 09-   | <b>MCB 669 SI</b>    | <b>RSI</b> | <b>EC</b>  |            | <b>MCB 739 SI</b>  | <b>RSI</b> | <b>EC</b> |  |
| SXV   | 450  | Supermoto               |            | 06-   | <b>MCB 793 RSI</b>   | <b>SRQ</b> |            |            | <b>MCB 739 RSI</b> | <b>EC</b>  |           |  |
|       | 500  | Atlantic                | ◀ PT       | 02-05 | <b>MCB 557 SRM</b>   |            |            |            | <b>MCB 710 SRM</b> | <b>EC</b>  |           |  |
|       | 500  | Atlantic                | ▶ PT       | 02-05 | <b>MCB 749 SRM</b>   |            |            |            |                    |            |           |  |
|       | 500  | Atlantic Sprint         | VL         | 06-   | <b>MCB 726 SRM *</b> |            |            |            | <b>MCB 710 SRM</b> |            |           |  |
|       | 500  | Scarabeo, ABS           | RT         | 03    | <b>MCB 557 SRM</b>   |            |            |            | <b>MCB 710 SRM</b> | <b>EC</b>  |           |  |
|       | 500  | Scarabeo light, ie      |            | 06-   | <b>MCB 557 SRM</b>   |            |            |            | <b>MCB 710 SRM</b> |            |           |  |
| SXV   | 550  | Supermoto               |            | 06-   | <b>MCB 793 RSI</b>   | <b>SRQ</b> |            |            | <b>MCB 739 RSI</b> | <b>EC</b>  |           |  |
|       | 600  | Pegaso                  | Brembo     | 90-   | <b>MCB 618</b>       |            |            |            | <b>MCB 519</b>     |            |           |  |
|       | 600  | Tuareg Wind             |            | 86-89 | <b>MCB 557</b>       |            |            |            | <b>MCB 628</b>     |            |           |  |
|       | 600  | Tuareg Wind             |            | 90-   | <b>MCB 618</b>       |            |            |            | <b>MCB 519</b>     | <b>EC</b>  |           |  |
| ETX   | 600  |                         |            | 86-   | <b>MCB 557</b>       |            |            |            | <b>MCB 75</b>      |            |           |  |
|       | 650  | Moto 6.5                | MH00       | 95-   | <b>MCB 671</b>       | <b>SV</b>  |            |            | <b>MCB 523</b>     |            |           |  |
|       | 650  | Pegaso                  | MX         | 91-96 | <b>MCB 652</b>       |            |            |            | <b>MCB 523</b>     |            |           |  |
|       | 650  | Pegaso                  | MX         | 97-00 | <b>MCB 671</b>       | <b>SV</b>  |            |            | <b>MCB 523</b>     |            |           |  |
|       | 650  | Pegaso Garda            | MX         | 99-00 | <b>MCB 671</b>       | <b>SV</b>  |            |            | <b>MCB 523</b>     |            |           |  |
|       | 650  | Pegaso i.e.             | RW         | 01    | <b>MCB 671</b>       | <b>SV</b>  |            |            | <b>MCB 672</b>     | <b>SH</b>  | <b>EC</b> |  |
|       | 650  | Pegaso i.e.             |            | 05-   | <b>MCB 683</b>       | <b>SV</b>  |            |            | <b>MCB 672</b>     | <b>SH</b>  | <b>EC</b> |  |
|       | 650  | Pegaso, Factory         |            | 07-   | <b>MCB 793 RSI</b>   | <b>SRQ</b> |            |            | <b>MCB 672</b>     | <b>RSI</b> | <b>EC</b> |  |
|       | 650  | Pegaso Trail            | VD         | 06-   | <b>MCB 671</b>       | <b>SV</b>  |            |            | <b>MCB 672</b>     | <b>RSI</b> | <b>EC</b> |  |
| SMV   | 750  | Dorsoduro, Factory, ABS |            | 08-   | <b>MCB 785 *</b>     | <b>SV</b>  | <b>SRQ</b> |            | <b>MCB 672</b>     | <b>SH</b>  |           |  |
| SMV   | 750  | Dorsoduro Factory       |            | 12-   | <b>MCB 683 *</b>     | <b>SV</b>  | <b>SRQ</b> |            | <b>MCB 672</b>     | <b>SH</b>  |           |  |
| SL    | 750  | Shiver, ABS             | RA         | 07-   | <b>MCB 785 *</b>     | <b>SV</b>  | <b>SRQ</b> |            | <b>MCB 672</b>     | <b>SH</b>  |           |  |
| NA    | 850  | Mana, GT                |            | 07-   | <b>MCB 785 *</b>     | <b>SV</b>  | <b>SRQ</b> |            | <b>MCB 672</b>     | <b>SH</b>  |           |  |
| NA    | 850  | Mana, GT                | Parkingb.  | 09-   |                      |            |            |            | <b>MCB 832P</b>    |            |           |  |
| SRV   | 850  |                         |            | 12-   | <b>MCB 648 SRM *</b> |            |            |            | <b>MCB 744 SRM</b> |            |           |  |
| SRV   | 850  |                         | Parkingb.  | 12-   |                      |            |            |            | <b>MCB 832P</b>    |            |           |  |
| ETV   | 1000 | CapoNord                | PS         | 01-   | <b>MCB 671 *</b>     | <b>SV</b>  |            |            | <b>MCB 700</b>     |            |           |  |
| RST   | 1000 | Mille Futura            | PW         | 01-   | <b>MCB 683 *</b>     | <b>SV</b>  | <b>SRQ</b> |            | <b>MCB 648</b>     |            |           |  |
| RSV   | 1000 | Falco SL, R             | PA         | 00-   | <b>MCB 683 *</b>     | <b>SV</b>  | <b>SRQ</b> |            | <b>MCB 700</b>     | <b>SH</b>  | <b>RQ</b> |  |
| RSV   | 1000 | Mille R, SP             | ME         | 98-00 | <b>MCB 683 SV *</b>  | <b>SRQ</b> | <b>CRQ</b> | <b>SCR</b> | <b>MCB 700</b>     | <b>SH</b>  | <b>RQ</b> |  |
| RSV   | 1000 | Mille R, SP             | 4☐ RP      | 01-03 | <b>MCB 721 SV *</b>  | <b>SRQ</b> | <b>CRQ</b> | <b>SCR</b> | <b>MCB 700</b>     | <b>SH</b>  | <b>RQ</b> |  |
| RSV   | 1000 | Mille Nera              | 4☐ RR      | 04-   | <b>MCB 721 SV *</b>  | <b>SRQ</b> | <b>CRQ</b> | <b>SCR</b> | <b>MCB 700</b>     | <b>SH</b>  | <b>RQ</b> |  |
| RSV   | 1000 | Mille R, R Factory      | 4☐ RR      | 04-   | <b>MCB 721 SV *</b>  | <b>SRQ</b> | <b>CRQ</b> | <b>SCR</b> | <b>MCB 700</b>     | <b>SH</b>  | <b>RQ</b> |  |
| RSV   | 1000 | Tuono Fighter, Racing   | RP         | 03    | <b>MCB 683 SV *</b>  | <b>SRQ</b> | <b>CRQ</b> |            | <b>MCB 700</b>     | <b>SH</b>  | <b>RQ</b> |  |
| RSV   | 1000 | Tuono Racing            | 4☐ RR      | 04-   | <b>MCB 721 SV *</b>  | <b>SRQ</b> | <b>CRQ</b> | <b>SCR</b> | <b>MCB 700</b>     | <b>SH</b>  | <b>RQ</b> |  |
| RSV   | 1000 | Tuono V4R, APRC         |            | 11-   | <b>MCB 683 SV *</b>  | <b>SRQ</b> | <b>CRQ</b> | <b>SCR</b> | <b>MCB 700</b>     | <b>SH</b>  | <b>RQ</b> |  |
| RSV4  | 1000 | R, Factory, APRC        | RK         | 09-   | <b>MCB 792 SV *</b>  | <b>SRQ</b> | <b>CRQ</b> | <b>SCR</b> | <b>MCB 700</b>     | <b>SH</b>  | <b>RQ</b> |  |
| SMV   | 1200 | Dorsoduro, ABS          |            | 11-   | <b>MCB 683 *</b>     | <b>SV</b>  | <b>SRQ</b> | <b>CRQ</b> | <b>MCB 672</b>     | <b>SH</b>  |           |  |

## Arctic Cat

|  |     |         |  |       |                     |           |  |  |                   |  |  |  |
|--|-----|---------|--|-------|---------------------|-----------|--|--|-------------------|--|--|--|
|  | 250 | 2x4/4x4 |  | 99-04 | <b>MCB 763 SI *</b> |           |  |  | <b>MCB 763 SI</b> |  |  |  |
|  | 250 | 2x4/4x4 |  | 05-   | <b>MCB 773 SI *</b> |           |  |  | <b>MCB 773 SI</b> |  |  |  |
|  | 300 | 2x4/4x4 |  | 98-04 | <b>MCB 763 SI *</b> |           |  |  | <b>MCB 763 SI</b> |  |  |  |
|  | 300 | 4x4     |  | 05-   | <b>MCB 773 SI *</b> |           |  |  | <b>MCB 773 SI</b> |  |  |  |
|  | 300 | DVX     |  | 04-   | <b>MCB 561 SI *</b> | <b>EC</b> |  |  | <b>MCB 626 SI</b> |  |  |  |
|  | 400 | 2x4/4x4 |  | 98-04 | <b>MCB 763 SI *</b> |           |  |  | <b>MCB 763 SI</b> |  |  |  |
|  | 400 | 2x4/4x4 |  | 05-   | <b>MCB 773 SI *</b> |           |  |  | <b>MCB 773 SI</b> |  |  |  |
|  | 400 | DVX     |  | 04-   | <b>MCB 561 SI *</b> | <b>EC</b> |  |  | <b>MCB 626 SI</b> |  |  |  |
|  | 400 | FIS     |  | 98-04 | <b>MCB 763 SI *</b> |           |  |  | <b>MCB 763 SI</b> |  |  |  |
|  | 400 | FIS     |  | 05-   | <b>MCB 773 SI *</b> |           |  |  | <b>MCB 773 SI</b> |  |  |  |
|  | 500 | 2x4/4x4 |  | 98-04 | <b>MCB 763 SI *</b> |           |  |  | <b>MCB 763 SI</b> |  |  |  |
|  | 500 | 2x4/4x4 |  | 05-   | <b>MCB 773 SI *</b> |           |  |  | <b>MCB 773 SI</b> |  |  |  |





## → ARCTIC CAT

|     |      |             |       |                     |  |  |  |                   |  |  |
|-----|------|-------------|-------|---------------------|--|--|--|-------------------|--|--|
| TBX | 500  | 4x4         | 02-04 | <b>MCB 763 SI *</b> |  |  |  | <b>MCB 763 SI</b> |  |  |
| TBX | 500  | 4x4         | 05-   | <b>MCB 773 SI *</b> |  |  |  | <b>MCB 773 SI</b> |  |  |
| TRV | 500  | 4x4         | 03-04 | <b>MCB 763 SI *</b> |  |  |  | <b>MCB 763 SI</b> |  |  |
| TRV | 500  | 4x4         | 05-   | <b>MCB 773 SI *</b> |  |  |  | <b>MCB 773 SI</b> |  |  |
| TRV | 650  | H1, V2 4x4  | 05-   | <b>MCB 773 SI *</b> |  |  |  | <b>MCB 773 SI</b> |  |  |
| TRV | 700  | 4x4         | 08-   | <b>MCB 773 SI *</b> |  |  |  | <b>MCB 773 SI</b> |  |  |
|     | 700  | H1, 4x4     | 08-   | <b>MCB 773 SI *</b> |  |  |  | <b>MCB 773 SI</b> |  |  |
|     | 1000 | H2 EFI, 4x4 | 08-   | <b>MCB 773 SI *</b> |  |  |  | <b>MCB 773 SI</b> |  |  |

## Atala

|       |     |           |     |                |           |  |  |                |  |  |
|-------|-----|-----------|-----|----------------|-----------|--|--|----------------|--|--|
|       | 25  | Carosello | 97- | <b>MCB 644</b> | <b>EC</b> |  |  | <b>MCS 921</b> |  |  |
| AT 10 | 25  | Byte      | 97- | <b>MCB 644</b> | <b>EC</b> |  |  | <b>MCS 921</b> |  |  |
|       | 50  | Carosello | 97- | <b>MCB 644</b> | <b>EC</b> |  |  | <b>MCS 921</b> |  |  |
|       | 50  | Skeggia   | 98- | <b>MCB 644</b> | <b>EC</b> |  |  | <b>MCS 921</b> |  |  |
| AT 10 | 50  | Byte      | 97- | <b>MCB 644</b> | <b>EC</b> |  |  | <b>MCS 920</b> |  |  |
| AT 12 | 50  | Hacker    | 95- | <b>MCB 644</b> | <b>EC</b> |  |  | <b>MCS 921</b> |  |  |
|       | 125 | Hacker    | 98- | <b>MCB 644</b> | <b>EC</b> |  |  | <b>MCS 921</b> |  |  |

## ATU

|    |    |      |  |                |           |  |  |                |  |  |
|----|----|------|--|----------------|-----------|--|--|----------------|--|--|
| GT | 50 | Race |  | <b>MCB 694</b> | <b>EC</b> |  |  | <b>MCS 962</b> |  |  |
| GE | 50 | Spin |  | <b>MCB 694</b> | <b>EC</b> |  |  | <b>MCS 962</b> |  |  |

## Baotian

|       |     |          |  |                |           |  |  |                |  |  |
|-------|-----|----------|--|----------------|-----------|--|--|----------------|--|--|
| BT49  | 50  | QT       |  | <b>MCB 590</b> | <b>EC</b> |  |  | <b>MCS 800</b> |  |  |
| BT50  | 50  | QT       |  | <b>MCB 590</b> | <b>EC</b> |  |  | <b>MCS 800</b> |  |  |
|       | 50  | Eco Bike |  | <b>MCB 590</b> | <b>EC</b> |  |  | <b>MCS 800</b> |  |  |
| BT125 | 125 | T        |  | <b>MCB 694</b> | <b>EC</b> |  |  | <b>MCB 510</b> |  |  |

## Barossa

|  |     |         |       |                |  |  |  |                   |           |  |
|--|-----|---------|-------|----------------|--|--|--|-------------------|-----------|--|
|  | 170 | Cheetah | 03-06 | <b>MCS 962</b> |  |  |  | <b>MCB 519 SI</b> | <b>EC</b> |  |
|  | 170 | Stinger | 06-   | <b>MCS 962</b> |  |  |  | <b>MCB 582 SI</b> |           |  |
|  | 250 | Cheetah | 03-06 | <b>MCS 962</b> |  |  |  | <b>MCB 519 SI</b> | <b>EC</b> |  |

## Beeline

|    |    |        |     |                |           |  |  |                |  |  |
|----|----|--------|-----|----------------|-----------|--|--|----------------|--|--|
|    | 50 | Veloce | 08- | <b>MCB 694</b> | <b>EC</b> |  |  | <b>MCS 962</b> |  |  |
| GT | 50 | Veloce | 08- | <b>MCB 694</b> | <b>EC</b> |  |  | <b>MCS 962</b> |  |  |

## Benelli

|     |     |                        |      |       |                |            |           |                |            |            |
|-----|-----|------------------------|------|-------|----------------|------------|-----------|----------------|------------|------------|
| 491 | 50  | Naked                  | ND   | 99-   | <b>MCB 674</b> | <b>EC</b>  | <b>SR</b> | <b>MCS 800</b> |            |            |
| 491 | 50  | Racing                 | BA01 | 99-   | <b>MCB 674</b> | <b>EC</b>  | <b>SR</b> | <b>MCB 674</b> | <b>EC</b>  | <b>SR</b>  |
| 491 | 50  | RR, GP                 | BA01 | 00-   | <b>MCB 674</b> | <b>EC</b>  | <b>SR</b> | <b>MCB 674</b> | <b>EC</b>  | <b>SR</b>  |
| 491 | 50  | Sport, GT              | BA01 | 98-   | <b>MCB 674</b> | <b>EC</b>  | <b>SR</b> | <b>MCS 800</b> |            |            |
| 491 | 50  | ST                     | BA01 | 01-   | <b>MCB 674</b> | <b>EC</b>  | <b>SR</b> | <b>MCS 800</b> |            |            |
| 491 | 50  | Superbike              | BA01 | 99-   | <b>MCB 674</b> | <b>EC</b>  | <b>SR</b> | <b>MCB 674</b> | <b>EC</b>  | <b>SR</b>  |
|     | 50  | Alp                    |      | 91-   | <b>MCB 535</b> |            |           | <b>MCB 613</b> |            |            |
|     | 50  | Chrono                 |      | 92-93 | <b>MCB 578</b> |            |           | <b>MCS 800</b> |            |            |
|     | 50  | Chrono                 |      | 94-   | <b>MCB 674</b> | <b>EC</b>  | <b>SR</b> | <b>MCS 800</b> |            |            |
|     | 50  | Devil                  |      | 92-   | <b>MCB 572</b> | <b>RQ</b>  |           | <b>MCB 564</b> |            |            |
|     | 50  | KR                     |      | 86-   | <b>MCB 578</b> |            |           |                |            |            |
|     | 50  | Naked                  | ND   | 02-   | <b>MCB 696</b> | <b>EC</b>  | <b>SR</b> | <b>MCS 962</b> |            |            |
|     | 50  | Nemo                   |      | 94-   | <b>MCB 674</b> | <b>EC</b>  | <b>SR</b> | <b>MCS 800</b> |            |            |
|     | 50  | Pepe 50/LX             | BA03 | 99-   | <b>MCB 674</b> | <b>EC</b>  | <b>SR</b> | <b>MCS 962</b> |            |            |
|     | 50  | Quadra                 |      | 94-   | <b>MCB 674</b> | <b>EC</b>  | <b>SR</b> | <b>MCS 800</b> |            |            |
|     | 50  | Spring                 |      | 92-95 | <b>MCB 572</b> | <b>RQ</b>  |           | <b>MCB 564</b> |            | <b>SR</b>  |
|     | 50  | X 49                   |      | 07-   | <b>MCB 694</b> | <b>EC</b>  |           |                |            |            |
| K2  | 50  | AC                     | BA01 | 98-   | <b>MCB 674</b> | <b>EC</b>  | <b>SR</b> | <b>MCB 674</b> | <b>EC</b>  | <b>SR</b>  |
| K2  | 50  | LC                     | BA01 | 99-   | <b>MCB 674</b> | <b>EC</b>  | <b>SR</b> | <b>MCB 674</b> | <b>EC</b>  | <b>SR</b>  |
| K2  | 50  | Namur                  | BA01 | 99-   | <b>MCB 674</b> | <b>EC</b>  | <b>SR</b> | <b>MCB 674</b> | <b>EC</b>  | <b>SR</b>  |
|     | 50  | Supermotard            |      | 07-   | <b>MCB 734</b> |            |           | <b>MCB 535</b> | <b>SR</b>  |            |
|     | 80  | Devil                  |      | 92-   | <b>MCB 572</b> | <b>RQ</b>  |           | <b>MCB 564</b> | <b>SR</b>  |            |
| LX  | 100 | Pepe                   | BA03 | 02-   | <b>MCB 674</b> | <b>EC</b>  |           | <b>MCS 962</b> |            |            |
|     | 124 | T                      |      | 83    | <b>MCB 75</b>  |            |           |                |            |            |
|     | 125 | Adiva                  | D1   | 00-04 | <b>MCB 674</b> | <b>EC</b>  | <b>SR</b> | <b>MCB 727</b> | <b>SRM</b> |            |
|     | 125 | Velvet, Velvet Touring | M1   | 99-   | <b>MCB 674</b> | <b>EC</b>  | <b>SR</b> | <b>MCB 674</b> | <b>EC</b>  | <b>SR</b>  |
|     | 150 | Adiva                  |      | 00-04 | <b>MCB 674</b> | <b>EC</b>  | <b>SR</b> | <b>MCB 727</b> | <b>SRM</b> |            |
|     | 250 | Caffe Nero             |      | 08-   | <b>MCB 615</b> | <b>SRM</b> |           | <b>MCB 724</b> |            |            |
|     | 250 | Caffe Nero             |      | 08-   | <b>MCB 582</b> | <b>SRM</b> |           |                |            |            |
|     | 250 | Velvet, Velvet Touring | M7   | 99-   | <b>MCB 734</b> | <b>EC</b>  |           | <b>MCB 710</b> | <b>EC</b>  | <b>SRM</b> |
|     | 254 |                        |      | 83    | <b>MCB 508</b> |            |           |                |            |            |
|     | 304 |                        |      | 83    | <b>MCB 75</b>  |            |           |                |            |            |





## → BENELLI

|     |                          |    |       |                   |   |            |            |            |                |           |           |
|-----|--------------------------|----|-------|-------------------|---|------------|------------|------------|----------------|-----------|-----------|
|     | 354                      |    | -82   | <b>MCB 75</b>     | * |            |            |            | <b>MCB 19</b>  |           |           |
|     | 354 Sport                |    | 83-   | <b>MCB 75</b>     | * |            |            |            | <b>MCB 75</b>  |           |           |
|     | 400 Velvet Dusk          |    | 03-04 | <b>MCB 734</b>    |   | <b>EC</b>  |            |            | <b>MCB 674</b> | <b>EC</b> |           |
| BX  | 449 Cross                |    | 07-   | <b>MCB 648</b>    |   | <b>SI</b>  | <b>RSI</b> | <b>EC</b>  | <b>MCB 672</b> | <b>SI</b> | <b>EC</b> |
|     | 654 Sport                |    | 83    | <b>MCB 75</b>     | * |            |            |            | <b>MCB 75</b>  |           |           |
|     | 750 Sei                  |    | 75-   | <b>MCB 19</b>     | * |            |            |            |                |           |           |
|     | 756 2-UE                 | 4☐ | 07-   | <b>MCB 721 SV</b> | * | <b>SRQ</b> |            |            | <b>MCB 700</b> | <b>SH</b> | <b>RQ</b> |
|     | 899 Century Racer        | 4☐ | 11-   | <b>MCB 721 SV</b> | * | <b>SRQ</b> |            |            | <b>MCB 700</b> | <b>SH</b> | <b>RQ</b> |
|     | 900 Sei                  |    | 83    | <b>MCB 19</b>     | * |            |            |            | <b>MCB 533</b> |           |           |
|     | 900 Tornado 3            |    | 00-   | <b>MCB 683</b>    | * | <b>SV</b>  |            |            | <b>MCB 75</b>  | <b>RQ</b> |           |
|     | 900 Tornado Tre          | 4☐ | 03-   | <b>MCB 721 SV</b> | * | <b>SRQ</b> | <b>CRQ</b> |            | <b>MCB 700</b> | <b>SH</b> | <b>RQ</b> |
|     | 1100                     |    | 04-   | <b>MCB 683</b>    | * | <b>SV</b>  | <b>SRQ</b> | <b>CRQ</b> | <b>MCB 75</b>  |           |           |
|     | 1130 Century Racer       | 4☐ | 11-   | <b>MCB 721 SV</b> | * | <b>SRQ</b> |            |            | <b>MCB 700</b> | <b>SH</b> | <b>RQ</b> |
| TNT | 1130 Cafe Racer/Titanium |    | 05-   | <b>MCB 683</b>    | * | <b>SV</b>  | <b>SRQ</b> | <b>CRQ</b> | <b>MCB 700</b> | <b>SH</b> | <b>RQ</b> |
| TNT | 1130 Sport               |    | 05-   | <b>MCB 683</b>    | * | <b>SV</b>  | <b>SRQ</b> | <b>CRQ</b> | <b>MCB 700</b> | <b>SH</b> | <b>RQ</b> |
|     | 1130 TreK                |    | 06-   | <b>MCB 683</b>    | * | <b>SV</b>  | <b>SRQ</b> | <b>CRQ</b> | <b>MCB 700</b> | <b>SH</b> | <b>RQ</b> |
|     | 1130 TreK Amazonas       |    | 07-   | <b>MCB 683</b>    | * | <b>SV</b>  |            |            | <b>MCB 700</b> | <b>SH</b> |           |
|     | 1300 Tornado Tre         | 4☐ | 06-   | <b>MCB 721 SV</b> | * | <b>SRQ</b> | <b>CRQ</b> |            | <b>MCB 700</b> | <b>SH</b> | <b>RQ</b> |

## Benzhou

|    |                 |  |  |                |  |           |  |  |                |  |  |
|----|-----------------|--|--|----------------|--|-----------|--|--|----------------|--|--|
| YY | 50 City Star    |  |  | <b>MCB 590</b> |  | <b>EC</b> |  |  | <b>MCS 800</b> |  |  |
| YY | 50 Formula 2000 |  |  | <b>MCB 590</b> |  | <b>EC</b> |  |  | <b>MCS 800</b> |  |  |
| YY | 50 Retro Star   |  |  | <b>MCB 590</b> |  | <b>EC</b> |  |  | <b>MCS 800</b> |  |  |
| YY | 50 QT           |  |  | <b>MCB 590</b> |  | <b>EC</b> |  |  | <b>MCS 800</b> |  |  |

## Beta

|     |                         |         |       |                |  |            |            |           |                   |            |            |
|-----|-------------------------|---------|-------|----------------|--|------------|------------|-----------|-------------------|------------|------------|
|     | 50 Chrono               |         | 92-93 | <b>MCB 578</b> |  |            |            |           | <b>MCS 962</b>    |            |            |
|     | 50 Chrono               | KTMGO50 | 94-   | <b>MCB 674</b> |  | <b>EC</b>  | <b>SR</b>  |           | <b>MCS 962</b>    |            |            |
|     | 50 Eikon                | BS      | 99-   | <b>MCB 75</b>  |  | <b>RQ</b>  |            |           | <b>MCB 710</b>    | <b>EC</b>  |            |
|     | 50 Nemo                 |         | 96-   | <b>MCB 674</b> |  | <b>EC</b>  | <b>SR</b>  |           | <b>MCS 962</b>    |            |            |
|     | 50 Quadra               | KTMGO50 | 97-   | <b>MCB 674</b> |  | <b>EC</b>  | <b>SR</b>  |           | <b>MCS 962</b>    |            |            |
|     | 50 Quadra               | KTMGO50 | 95-96 | <b>MCB 75</b>  |  | <b>RQ</b>  |            |           | <b>MCS 962</b>    |            |            |
|     | 50 Techno               |         | 96-   | <b>MCB 535</b> |  | <b>EC</b>  | <b>SR</b>  |           | <b>MCB 535</b>    | <b>EC</b>  | <b>SR</b>  |
|     | 50 Tempo                | KTMGO50 | 97-98 | <b>MCB 75</b>  |  | <b>RQ</b>  |            |           | <b>MCS 800</b>    |            |            |
|     | 50 „Tempo (13“„ wheel)“ | KTMGO50 | 00-   | <b>MCB 674</b> |  | <b>EC</b>  | <b>SR</b>  |           |                   |            |            |
|     | 50 „Tempo (16“„ wheel)“ | KTMGO50 | 00-   | <b>MCB 674</b> |  | <b>EC</b>  | <b>SR</b>  |           |                   |            |            |
| ARK | 50 AC                   | BS      | 99-01 | <b>MCB 674</b> |  | <b>EC</b>  | <b>SR</b>  |           | <b>MCB 674</b>    | <b>EC</b>  | <b>SR</b>  |
| ARK | 50 AC                   | BS4     | 02-   | <b>MCB 674</b> |  | <b>EC</b>  | <b>SR</b>  |           | <b>MCB 674</b>    | <b>EC</b>  | <b>SR</b>  |
| ARK | 50 K Series, LC         | BS      | 99-   | <b>MCB 674</b> |  | <b>EC</b>  | <b>SR</b>  |           | <b>MCB 674</b>    | <b>EC</b>  | <b>SR</b>  |
| RR  | 50 Enduro               | BE      | 99-   | <b>MCB 629</b> |  |            |            |           | <b>MCB 535</b>    |            | <b>SR</b>  |
| RR  | 50 Standard             |         | 99-   | <b>MCB 629</b> |  |            |            |           | <b>MCB 535</b>    |            | <b>SR</b>  |
| RR  | 50 Supermotard          |         | 99-   | <b>MCB 629</b> |  |            |            |           | <b>MCB 535</b>    |            | <b>SR</b>  |
| RR  | 50 Supermotard          |         | 08-   | <b>MCB 734</b> |  |            |            |           | <b>MCB 820</b>    |            |            |
|     | 125 Eikon               | S7      | 99-   | <b>MCB 75</b>  |  | <b>RQ</b>  |            |           | <b>MCB 710</b>    | <b>EC</b>  | <b>SRM</b> |
|     | 125 Jonathan            |         | 99-   | <b>MCB 540</b> |  | <b>SV</b>  |            |           | <b>MCB 672</b>    |            |            |
|     | 125 KR                  |         | 86-   | <b>MCB 75</b>  |  |            |            |           |                   |            |            |
|     | 125 TR 33               |         | 86    | <b>MCB 564</b> |  |            |            |           |                   |            |            |
|     | 125 TR 34               |         | 87    | <b>MCB 535</b> |  | <b>RQ</b>  |            |           | <b>MCB 75</b>     |            |            |
|     | 125 TR 34               |         | 88-   | <b>MCB 535</b> |  | <b>RQ</b>  |            |           | <b>MCB 613</b>    |            |            |
|     | 125 TR 35               |         | 88-   | <b>MCB 535</b> |  | <b>RQ</b>  |            |           | <b>MCB 613</b>    |            |            |
| ALP | 125 4-stroke            |         | 00-05 | <b>MCB 535</b> |  | <b>RQ</b>  |            |           | <b>MCB 535</b>    | <b>RQ</b>  |            |
| ALP | 125 4-stroke            |         | 06-   | <b>MCB 734</b> |  |            |            |           | <b>MCB 820</b>    |            |            |
| RR  | 125                     |         | 06-   | <b>MCB 734</b> |  |            |            |           | <b>MCB 739 SI</b> | <b>RSI</b> | <b>EC</b>  |
|     | 150 Eikon               | S7      | 00-   | <b>MCB 75</b>  |  | <b>RQ</b>  |            |           | <b>MCB 710</b>    | <b>EC</b>  | <b>SRM</b> |
| ALP | 200 4-stroke            |         | 00-05 | <b>MCB 535</b> |  | <b>RQ</b>  |            |           | <b>MCB 535</b>    | <b>RQ</b>  |            |
| ALP | 200 4-stroke            |         | 06-   | <b>MCB 734</b> |  |            |            |           | <b>MCB 820</b>    |            |            |
|     | 240 Alp                 |         | 91-   | <b>MCB 535</b> |  | <b>RQ</b>  |            |           | <b>MCB 613</b>    |            |            |
|     | 240 TR 33               |         | 86-   | <b>MCB 564</b> |  |            |            |           |                   |            |            |
|     | 250 CR                  |         | 83-   | <b>MCB 75</b>  |  |            |            |           |                   |            |            |
|     | 250 Eikon               |         | 99-   | <b>MCB 75</b>  |  | <b>RQ</b>  |            |           | <b>MCB 535</b>    | <b>EC</b>  | <b>SRM</b> |
|     | 250 KR                  |         | 86-   | <b>MCB 75</b>  |  | <b>RQ</b>  |            |           |                   |            |            |
| RR  | 250 Enduro              |         | 05-   | <b>MCB 669</b> |  | <b>RSI</b> | <b>SI</b>  | <b>EC</b> | <b>MCB 739 SI</b> | <b>RSI</b> | <b>EC</b>  |
|     | 260 Gara                |         | 93    | <b>MCB 535</b> |  | <b>RQ</b>  |            |           | <b>MCB 649</b>    |            |            |
|     | 260 Techno              |         | 94-   | <b>MCB 535</b> |  | <b>RQ</b>  |            |           | <b>MCB 649</b>    |            |            |
|     | 260 TR 34               |         | 88-   | <b>MCB 535</b> |  | <b>RQ</b>  |            |           | <b>MCB 613</b>    |            |            |
|     | 260 TR 34               |         | 87    | <b>MCB 564</b> |  |            |            |           | <b>MCB 75</b>     |            |            |
|     | 260 TR 35               |         | 88-   | <b>MCB 535</b> |  | <b>RQ</b>  |            |           | <b>MCB 613</b>    |            |            |
| RR  | 350 Enduro              |         | 12-   | <b>MCB 669</b> |  | <b>SI</b>  | <b>RSI</b> | <b>EC</b> | <b>MCB 739 SI</b> | <b>RSI</b> | <b>EC</b>  |
|     | 350 Euro                |         | 03-   | <b>MCB 540</b> |  | <b>SV</b>  |            |           | <b>MCB 539</b>    |            |            |





## → BETA

|     |                   |  |     |                |            |            |           |                   |            |           |
|-----|-------------------|--|-----|----------------|------------|------------|-----------|-------------------|------------|-----------|
|     | 350 Jonathan      |  | 03- | <b>MCB 540</b> | <b>SV</b>  |            |           | <b>MCB 539</b>    |            |           |
| ALP | 350 4.0           |  | 06- | <b>MCB 734</b> |            |            |           | <b>MCB 820</b>    |            |           |
| RR  | 400 Enduro        |  | 05- | <b>MCB 669</b> | <b>SI</b>  | <b>RSI</b> | <b>EC</b> | <b>MCB 739 SI</b> | <b>RSI</b> | <b>EC</b> |
| RR  | 450 Cross Country |  | 12- | <b>MCB 669</b> | <b>RSI</b> | <b>SI</b>  | <b>EC</b> | <b>MCB 739 SI</b> | <b>RSI</b> | <b>EC</b> |
| RR  | 450 Enduro        |  | 05- | <b>MCB 669</b> | <b>RSI</b> | <b>SI</b>  | <b>EC</b> | <b>MCB 739 SI</b> | <b>RSI</b> | <b>EC</b> |
| RR  | 498 Enduro        |  | 12- | <b>MCB 669</b> | <b>SI</b>  | <b>RSI</b> | <b>EC</b> | <b>MCB 739 SI</b> | <b>RSI</b> | <b>EC</b> |
| RR  | 525 Enduro        |  | 05- | <b>MCB 669</b> | <b>SI</b>  | <b>RSI</b> | <b>EC</b> | <b>MCB 739 SI</b> | <b>RSI</b> | <b>EC</b> |

## Bimota

|        |                     |      |       |                     |            |            |            |                   |            |           |
|--------|---------------------|------|-------|---------------------|------------|------------|------------|-------------------|------------|-----------|
| BBX    | 300 Enduro          |      | 12-   | <b>MCB 669</b>      | <b>SI</b>  | <b>RSI</b> | <b>EC</b>  | <b>MCB 739 SI</b> | <b>RSI</b> | <b>EC</b> |
| YB 7   | 400                 |      | 89    | <b>MCB 540 SV *</b> | <b>SRQ</b> | <b>CRQ</b> |            | <b>MCB 75</b>     | <b>RQ</b>  | <b>EC</b> |
|        | 500 V due           |      | 97-   | <b>MCB 540 SV *</b> | <b>SRQ</b> | <b>CRQ</b> |            | <b>MCB 75</b>     | <b>RQ</b>  |           |
| BBX    | 508 Enduro          |      | 12-   | <b>MCB 669</b>      | <b>SI</b>  | <b>RSI</b> | <b>EC</b>  | <b>MCB 575 SI</b> | <b>RSI</b> | <b>EC</b> |
| YB 9   | 600 SRI             |      | 96-97 | <b>MCB 540 SV *</b> | <b>SRQ</b> | <b>CRQ</b> |            | <b>MCB 75</b>     | <b>RQ</b>  |           |
| YB 9   | 600 Supersport      |      | 94-95 | <b>MCB 540 SV *</b> | <b>SRQ</b> | <b>CRQ</b> |            | <b>MCB 75</b>     | <b>RQ</b>  |           |
| BB 1   | 650 Supermono       | BB1  | 94-97 | <b>MCB 540 SV *</b> | <b>SRQ</b> | <b>CRQ</b> |            | <b>MCB 75</b>     | <b>RQ</b>  |           |
| BB 4   | 650 Supermono       | BB4  | 98-   | <b>MCB 683 SV *</b> | <b>SRQ</b> | <b>CRQ</b> |            | <b>MCB 75</b>     | <b>RQ</b>  |           |
| SB 3   | D                   | SB3  | 83-   | <b>MCB 19 *</b>     | <b>RQ</b>  |            |            | <b>MCB 75</b>     | <b>RQ</b>  |           |
| SB 7   | 750                 | SB7  | 94-   | <b>MCB 540 SV *</b> | <b>SRQ</b> | <b>CRQ</b> |            | <b>MCB 75</b>     | <b>RQ</b>  |           |
| YB 7   | 750                 |      | 89    | <b>MCB 540 SV *</b> | <b>SRQ</b> | <b>CRQ</b> |            | <b>MCB 75</b>     | <b>RQ</b>  |           |
| Tesi   | 851                 |      | 91-   | <b>MCB 540 SV *</b> | <b>SRQ</b> | <b>CRQ</b> |            | <b>MCB 75</b>     | <b>RQ</b>  |           |
| DB 2   | 900                 | DB2  | 93-   | <b>MCB 540 SV *</b> | <b>SRQ</b> | <b>CRQ</b> |            | <b>MCB 75</b>     | <b>RQ</b>  |           |
| DB 2   | 900 Editione finale | DB2  | 97-   | <b>MCB 540 SV *</b> | <b>SRQ</b> | <b>CRQ</b> |            | <b>MCB 75</b>     | <b>RQ</b>  |           |
| DB 2   | 900 H.F.            | DB2  | 94-   | <b>MCB 540 SV *</b> | <b>SRQ</b> | <b>CRQ</b> |            | <b>MCB 75</b>     | <b>RQ</b>  |           |
| DB 2   | 900 SR              | DB2  | 94-   | <b>MCB 540 SV *</b> | <b>SRQ</b> | <b>CRQ</b> |            | <b>MCB 75</b>     | <b>RQ</b>  |           |
| DB 3   | 900 Mantra          | DB3  | 94-01 | <b>MCB 540 SV *</b> | <b>SRQ</b> | <b>CRQ</b> |            | <b>MCB 75</b>     | <b>RQ</b>  |           |
| DB 4   | 900 i. e.           | DB4  | 99-   | <b>MCB 683 SV *</b> | <b>SRQ</b> | <b>CRQ</b> |            | <b>MCB 75</b>     | <b>RQ</b>  |           |
| Tesi   | 906 1 D, Editione   |      | 91-   | <b>MCB 540 SV *</b> | <b>SRQ</b> | <b>CRQ</b> |            | <b>MCB 75</b>     | <b>RQ</b>  |           |
| DB 5   | 1000 S              |      | 07-   | <b>MCB 721 SV *</b> | <b>SRQ</b> | <b>CRQ</b> | <b>SCR</b> | <b>MCB 700</b>    | <b>SH</b>  | <b>RQ</b> |
| DB 6   | 1000 Delirio        |      | 07-   | <b>MCB 721 SV *</b> | <b>SRQ</b> | <b>CRQ</b> |            | <b>MCB 700</b>    | <b>SH</b>  | <b>RQ</b> |
| SB 8   | 1000                | SB8  | 98-   | <b>MCB 683 SV *</b> | <b>SRQ</b> | <b>CRQ</b> |            | <b>MCB 75</b>     | <b>RQ</b>  |           |
| SB 8 R | 1000 , Speciale     | SB8R | 99-01 | <b>MCB 683 SV *</b> | <b>SRQ</b> | <b>CRQ</b> |            | <b>MCB 75</b>     | <b>RQ</b>  |           |
| SB8K   | 1000                |      | 06-   | <b>MCB 683 SV *</b> | <b>SRQ</b> | <b>CRQ</b> |            | <b>MCB 75</b>     | <b>RQ</b>  |           |
| SB8K   | 1000 Santamonica    |      | 07-   | <b>MCB 721 SV *</b> | <b>SRQ</b> | <b>CRQ</b> | <b>SCR</b> | <b>MCB 75</b>     | <b>RQ</b>  |           |
| YB 10  | 1000 Dieci Biposto  |      | 90-   | <b>MCB 540 SV *</b> | <b>SRQ</b> | <b>CRQ</b> |            | <b>MCB 75</b>     | <b>RQ</b>  |           |
| YB 11  | 1000                |      | 96-01 | <b>MCB 540 SV *</b> | <b>SRQ</b> | <b>CRQ</b> |            | <b>MCB 75</b>     | <b>RQ</b>  |           |
| YB 6   | 1000                |      | 89    | <b>MCB 540 SV *</b> | <b>SRQ</b> | <b>CRQ</b> |            | <b>MCB 75</b>     | <b>RQ</b>  |           |
| YB 8   | 1000 Evolutione     |      | 90-95 | <b>MCB 540 SV *</b> | <b>SRQ</b> | <b>CRQ</b> |            | <b>MCB 75</b>     | <b>RQ</b>  |           |
| YB 8   | 1000 Furano         |      | 92-95 | <b>MCB 540 SV *</b> | <b>SRQ</b> | <b>CRQ</b> |            | <b>MCB 75</b>     | <b>RQ</b>  |           |
| DB5    | 1078 RE             |      | 12-   | <b>MCB 721 SV *</b> | <b>SRQ</b> | <b>CRQ</b> |            | <b>MCB 700</b>    | <b>SH</b>  | <b>RQ</b> |
| DB10   | 1078 Bimotard       |      | 12-   | <b>MCB 721 SV *</b> | <b>SRQ</b> | <b>CRQ</b> |            | <b>MCB 700</b>    | <b>SH</b>  | <b>RQ</b> |
| DB7    | 1098                |      | 08-   | <b>MCB 721 SV *</b> | <b>SRQ</b> | <b>CRQ</b> | <b>SCR</b> | <b>MCB 700</b>    | <b>SH</b>  | <b>RQ</b> |
| SB 6 R | 1100                | SB6R | 94-99 | <b>MCB 540 SV *</b> | <b>SRQ</b> | <b>CRQ</b> |            | <b>MCB 75</b>     | <b>RQ</b>  |           |
| SB 6 R | 1100                | SB6R | 00-   | <b>MCB 683 SV *</b> | <b>SRQ</b> | <b>CRQ</b> |            | <b>MCB 75</b>     | <b>RQ</b>  |           |
| 3D     | 1100 Tesi           |      | 07-   | <b>MCB 721 SV *</b> | <b>SRQ</b> | <b>CRQ</b> | <b>SCR</b> | <b>MCB 700</b>    | <b>SH</b>  | <b>RQ</b> |
| DB8    | 1198                |      | 10-   | <b>MCB 792 SV *</b> | <b>SRQ</b> | <b>CRQ</b> | <b>SCR</b> | <b>MCB 700</b>    | <b>SH</b>  | <b>RQ</b> |
| DB9    | 1200 Brivido        |      | 12-   | <b>MCB 721 SV *</b> | <b>SRQ</b> | <b>CRQ</b> |            | <b>MCB 700</b>    | <b>SH</b>  | <b>RQ</b> |

## BMW

|      |                     |           |       |                      |            |            |            |                    |            |           |
|------|---------------------|-----------|-------|----------------------|------------|------------|------------|--------------------|------------|-----------|
| C1   | 125                 | C1        | 00-03 | <b>MCB 671</b>       | <b>SV</b>  |            |            | <b>MCB 672</b>     | <b>SH</b>  |           |
| C1   | 200                 | C1        | 00-03 | <b>MCB 671</b>       | <b>SV</b>  |            |            | <b>MCB 672</b>     | <b>SH</b>  |           |
| R 45 | 450                 | 248       | 81-   | <b>MCB 19</b>        |            |            |            | <b>MCS 941</b>     |            |           |
| R 45 | 450                 | 248       | 78-80 | <b>MCB 95 *</b>      |            |            |            | <b>MCS 940</b>     |            |           |
| G    | 450 Enduro          |           | 08-   | <b>MCB 648</b>       | <b>SV</b>  | <b>SI</b>  | <b>EC</b>  | <b>MCB 743 SI</b>  | <b>RSI</b> | <b>EC</b> |
| G    | 450 SMR             | 4 ☐       | 09-   | <b>MCB 721 SV</b>    | <b>SRQ</b> | <b>CRQ</b> | <b>SCR</b> | <b>MCB 743 SI</b>  | <b>RSI</b> | <b>EC</b> |
| C    | 600 Sport           |           | 12-   | <b>MCB 598 SRM *</b> |            |            |            | <b>MCB 598 SRM</b> |            |           |
| C    | 600 Sport           | Parkingb. | 12-   |                      |            |            |            | <b>MCB 832 P</b>   |            |           |
| C    | 650 GT              |           | 12-   | <b>MCB 598 SRM *</b> |            |            |            | <b>MCB 598 SRM</b> |            |           |
| C    | 650 GT              | Parkingb. | 12-   |                      |            |            |            | <b>MCB 832 P</b>   |            |           |
| F    | 650 , ST            | 169       | 93-00 | <b>MCB 671</b>       | <b>SV</b>  |            |            | <b>MCB 672</b>     | <b>SH</b>  |           |
| F    | 650 CS Scarver      | K14       | 02-   | <b>MCB 671</b>       | <b>SV</b>  |            |            | <b>MCB 672</b>     | <b>SH</b>  |           |
| F    | 650 GS, Paris Dakar | R13       | 01-   | <b>MCB 671</b>       | <b>SV</b>  |            |            | <b>MCB 672</b>     | <b>SH</b>  | <b>EC</b> |
| F    | 650 GS, Rallye      | R13       | 01-   | <b>MCB 671</b>       | <b>SV</b>  |            |            | <b>MCB 672</b>     | <b>SH</b>  | <b>EC</b> |
| F    | 650 GS              | E8GS      | 08-   | <b>MCB 671</b>       | <b>SV</b>  |            |            | <b>MCB 672</b>     | <b>SH</b>  | <b>EC</b> |
| G    | 650 GS              | R13       | 08-   | <b>MCB 671</b>       | <b>SV</b>  |            |            | <b>MCB 672</b>     | <b>SH</b>  | <b>EC</b> |
| G    | 650 GS Sertao       |           | 12-   | <b>MCB 671</b>       | <b>SV</b>  |            |            | <b>MCB 672</b>     | <b>SH</b>  | <b>EC</b> |
| G    | 650 Xchallenge      | E65X      | 07-   | <b>MCB 671</b>       | <b>SV</b>  |            |            | <b>MCB 672</b>     | <b>SH</b>  | <b>EC</b> |
| G    | 650 Xcountry        | E65X      | 07-   | <b>MCB 671</b>       | <b>SV</b>  |            |            | <b>MCB 672</b>     | <b>SH</b>  | <b>EC</b> |
| G    | 650 Xmoto           | E65X      | 07-   | <b>MCB 683</b>       | <b>SV</b>  | <b>SRQ</b> | <b>CRQ</b> | <b>MCB 672</b>     | <b>SH</b>  | <b>EC</b> |





→ **BMW**

|       |                         |         |     |           |                   |   |            |            |            |                |           |           |
|-------|-------------------------|---------|-----|-----------|-------------------|---|------------|------------|------------|----------------|-----------|-----------|
| R 65  | 650                     |         |     | 76-78     | <b>MCB 17</b>     |   |            |            |            | <b>MCS 940</b> |           |           |
| R 65  | 650                     |         |     | 81-89     | <b>MCB 19</b>     | * |            |            |            | <b>MCS 941</b> |           |           |
| R 65  | 650                     |         |     | 89-95     | <b>MCB 617</b>    |   | <b>SV</b>  |            |            | <b>MCS 941</b> |           |           |
| R 65  | 650                     | 248     |     | 78-80     | <b>MCB 95</b>     |   |            |            |            | <b>MCS 940</b> |           |           |
| R 65  | 650 GS                  | 247     |     | 87-92     | <b>MCB 19</b>     |   | <b>SV</b>  |            |            | <b>MCS 941</b> |           |           |
| R 65  | 650 LS                  | 248     |     | 82-       | <b>MCB 19</b>     |   |            |            |            |                |           |           |
| K 75  | 750                     | 75      |     | 9/88-     | <b>MCB 617</b>    | * | <b>SV</b>  |            |            | <b>MCS 943</b> |           |           |
| K 75  | 750 C                   | 75      |     | 85-8/88   | <b>MCB 19</b>     | * |            |            |            | <b>MCS 941</b> |           |           |
| K 75  | 750 RT                  | 75      |     | 91-96     | <b>MCB 617</b>    | * | <b>SV</b>  |            |            | <b>MCB 19</b>  |           |           |
| K 75  | 750 S                   | 75      |     | 85-8/88   | <b>MCB 19</b>     | * |            |            |            | <b>MCB 19</b>  |           |           |
| K 75  | 750 S                   | 75      |     | 9/88-     | <b>MCB 617</b>    | * | <b>SV</b>  |            |            | <b>MCB 19</b>  |           |           |
| R 75  | 750 /5                  |         |     | -74       | <b>MCS 944</b>    |   |            |            |            | <b>MCS 940</b> |           |           |
| R 75  | 750 /6                  | R75/6   |     | 74-80     | <b>MCB 17</b>     |   |            |            |            | <b>MCS 940</b> |           |           |
| R 75  | 750 /7                  | R75/7   |     | 74-80     | <b>MCB 17</b>     |   |            |            |            | <b>MCS 940</b> |           |           |
| F     | 800 S/ST                | E8ST    |     | 05-       | <b>MCB 683</b>    | * | <b>SV</b>  | <b>SRQ</b> |            | <b>MCB 672</b> | <b>SH</b> |           |
| F     | 800 GS                  | E8GS    |     | 08-       | <b>MCB 671</b>    | * | <b>SV</b>  |            |            | <b>MCB 672</b> | <b>SH</b> | <b>SI</b> |
| F     | 800 R                   | E8ST    |     | 09-       | <b>MCB 683</b>    | * | <b>SV</b>  | <b>SRQ</b> |            | <b>MCB 672</b> | <b>SH</b> |           |
| R 80  | 800                     | 247     |     | 85-8/88   | <b>MCB 19</b>     | * |            |            |            | <b>MCS 941</b> |           |           |
| R 80  | 800                     | 247     |     | 9/89-     | <b>MCB 617</b>    |   | <b>SV</b>  |            |            | <b>MCS 945</b> |           |           |
| R 80  | 800 /7                  | 247     |     | -81       | <b>MCB 17</b>     |   |            |            |            | <b>MCS 940</b> |           |           |
| R 80  | 800 /7                  | 247     |     | 81-84     | <b>MCB 19</b>     | * |            |            |            | <b>MCS 941</b> |           |           |
| R 80  | 800 G/S                 | 247E    |     | 81-87     | <b>MCB 19</b>     |   | <b>SV</b>  |            |            | <b>MCS 941</b> |           |           |
| R 80  | 800 GS Paris Dakar      | 247E    |     | 88-95     | <b>MCB 533</b>    |   | <b>SV</b>  |            |            | <b>MCS 941</b> |           |           |
| R 80  | 800 R                   | 247     |     | 93-       | <b>MCB 621</b>    |   | <b>SV</b>  |            |            | <b>MCS 945</b> |           |           |
| R 80  | 800 RT                  | 247     |     | 83-88     | <b>MCB 19</b>     | * |            |            |            | <b>MCS 941</b> |           |           |
| R 80  | 800 RT                  | 247     |     | 89-95     | <b>MCB 617</b>    | * | <b>SV</b>  |            |            | <b>MCS 943</b> |           |           |
| R 80  | 800 ST                  | 247E    |     | 81-84     | <b>MCB 19</b>     | * |            |            |            | <b>MCS 941</b> |           |           |
| R     | 850 C                   | 259C    |     | 99-01     | <b>MCB 680</b>    | * | <b>SV</b>  |            |            | <b>MCB 707</b> | <b>SH</b> |           |
| R     | 850 GS                  | 259/R21 |     | 96-       | <b>MCB 680</b>    | * | <b>SV</b>  |            |            | <b>MCB 707</b> | <b>SH</b> |           |
| R     | 850 R                   | 259     |     | 95-02     | <b>MCB 680</b>    | * | <b>SV</b>  |            |            | <b>MCB 707</b> | <b>SH</b> |           |
| R     | 850 R                   | R21     |     | 03-       | <b>MCB 736</b>    | * | <b>SV</b>  |            |            | <b>MCB 707</b> | <b>SH</b> |           |
| R     | 850 RT                  | 259     |     | 98-00     | <b>MCB 680</b>    | * | <b>SV</b>  |            |            | <b>MCB 672</b> | <b>SH</b> |           |
| R     | 850 RT mit Integral ABS | R22     |     | 01-       | <b>MCB 748</b>    | * | <b>SV</b>  |            |            | <b>MCB 707</b> | <b>SH</b> |           |
| R 90  | 900 /6                  | R90/6   |     | 73-76     | <b>MCB 17</b>     | * |            |            |            | <b>MCS 940</b> |           |           |
| R 90  | 900 S                   | R90/S   |     | 73-76     | <b>MCB 17</b>     | * |            |            |            | <b>MCS 940</b> |           |           |
| K     | 1000                    |         |     | 82-9/88   | <b>MCB 19</b>     | * |            |            |            | <b>MCB 19</b>  |           |           |
| K 1   | 1000                    | 100     |     | 88-93     | <b>MCB 680</b>    | * | <b>SV</b>  |            |            | <b>MCB 19</b>  |           |           |
| K 100 | 1000 /2                 |         |     | 87-8/88   | <b>MCB 19</b>     | * |            |            |            | <b>MCB 19</b>  |           |           |
| K 100 | 1000 /2                 |         |     | 9/88-90   | <b>MCB 617</b>    | * | <b>SV</b>  |            |            | <b>MCB 19</b>  |           |           |
| K 100 | 1000 LT                 |         |     | 86-8/88   | <b>MCB 19</b>     | * |            |            |            | <b>MCB 19</b>  |           |           |
| K 100 | 1000 LT                 |         |     | 9/88-91   | <b>MCB 617</b>    | * | <b>SV</b>  |            |            | <b>MCB 19</b>  |           |           |
| K 100 | 1000 RS                 |         |     | 83-9/88   | <b>MCB 19</b>     | * |            |            |            | <b>MCB 19</b>  |           |           |
| K 100 | 1000 RS                 |         |     | 10/88-89  | <b>MCB 617</b>    | * | <b>SV</b>  |            |            | <b>MCB 19</b>  |           |           |
| K 100 | 1000 RS (16V)           | 89V1    |     | 89-92     | <b>MCB 680</b>    | * | <b>SV</b>  |            |            | <b>MCB 19</b>  |           |           |
| K 100 | 1000 RT                 |         |     | 83-9/88   | <b>MCB 19</b>     | * |            |            |            | <b>MCB 19</b>  |           |           |
| K 100 | 1000 RT                 |         |     | 10/88-89  | <b>MCB 617</b>    | * | <b>SV</b>  |            |            | <b>MCB 19</b>  |           |           |
| R 100 | 1000                    |         |     | 76-77     | <b>MCB 17</b>     | * |            |            |            | <b>MCS 945</b> |           |           |
| R 100 | 1000 /7                 | 247     |     | 77-80     | <b>MCB 17</b>     | * |            |            |            | <b>MCS 940</b> |           |           |
| R 100 | 1000 GS                 |         |     | 86-94     | <b>MCB 533</b>    |   | <b>SV</b>  |            |            | <b>MCS 945</b> |           |           |
| R 100 | 1000 GS                 | 247E    |     | 89-96     | <b>MCB 533</b>    |   | <b>SV</b>  |            |            | <b>MCS 945</b> |           |           |
| R 100 | 1000 Mystic             |         |     | 93-96     | <b>MCB 680</b>    | * | <b>SV</b>  |            |            | <b>MCS 945</b> |           |           |
| R 100 | 1000 R                  | 247     |     | 91-95     | <b>MCB 680</b>    | * | <b>SV</b>  |            |            | <b>MCS 945</b> |           |           |
| R 100 | 1000 RS                 |         |     | 76-9/80   | <b>MCB 17</b>     | * |            |            |            | <b>MCS 940</b> |           |           |
| R 100 | 1000 RS                 | 247     |     | 81-84     | <b>MCB 19</b>     | * |            |            |            | <b>MCB 19</b>  |           |           |
| R 100 | 1000 RS                 |         |     | 86-8/88   | <b>MCB 19</b>     | * |            |            |            | <b>MCS 941</b> |           |           |
| R 100 | 1000 RS                 |         |     | 9/88-8/89 | <b>MCB 617</b>    | * |            |            |            | <b>MCS 941</b> |           |           |
| R 100 | 1000 RS                 |         |     | 9/89-92   | <b>MCB 617</b>    | * |            |            |            | <b>MCS 945</b> |           |           |
| R 100 | 1000 RT                 |         |     | 78-80     | <b>MCB 17</b>     | * |            |            |            | <b>MCS 940</b> |           |           |
| R 100 | 1000 RT                 |         |     | 81-84     | <b>MCB 19</b>     | * |            |            |            | <b>MCB 19</b>  |           |           |
| R 100 | 1000 RT                 |         |     | 87-8/88   | <b>MCB 19</b>     | * |            |            |            | <b>MCS 941</b> |           |           |
| R 100 | 1000 RT                 |         |     | 9/88-8/89 | <b>MCB 617</b>    | * | <b>SV</b>  |            |            | <b>MCS 941</b> |           |           |
| R 100 | 1000 RT                 | 247     |     | 08/89-95  | <b>MCB 617</b>    | * | <b>SV</b>  |            |            | <b>MCS 945</b> |           |           |
| R 100 | 1000 S                  | 247     |     | 76-8/80   | <b>MCB 17</b>     | * |            |            |            | <b>MCS 940</b> |           |           |
| R 100 | 1000 S                  | 247     |     | 9/80-     | <b>MCB 19</b>     | * |            |            |            | <b>MCB 19</b>  |           |           |
| R 100 | 1000 T                  |         |     | 76-80     | <b>MCB 17</b>     | * |            |            |            | <b>MCS 940</b> |           |           |
| R 100 | 1000 T                  |         |     | 9/80-84   | <b>MCB 19</b>     | * |            |            |            | <b>MCS 941</b> |           |           |
| S     | 1000 RR                 | 4☐      | K10 | 09-       | <b>MCB 829 SV</b> | * | <b>SRQ</b> | <b>CRQ</b> | <b>SCR</b> | <b>MCB 672</b> | <b>SH</b> |           |
| K     | 1100 LT                 |         | 100 | 89-99     | <b>MCB 680</b>    | * | <b>SV</b>  |            |            | <b>MCB 19</b>  |           |           |
| K     | 1100 LTS                |         | 100 | 92-       | <b>MCB 621</b>    | * | <b>SV</b>  |            |            | <b>MCB 19</b>  |           |           |







→ BMW

|   |                         |                |           |          |                   |   |            |  |  |                |           |
|---|-------------------------|----------------|-----------|----------|-------------------|---|------------|--|--|----------------|-----------|
| K | 1100 RS                 |                | 100       | 91-99    | <b>MCB 680</b>    | * | <b>SV</b>  |  |  | <b>MCB 19</b>  |           |
| K | 1100 RT                 |                |           | 93-      | <b>MCB 621</b>    | * | <b>SV</b>  |  |  | <b>MCB 617</b> |           |
| R | 1100 GS                 |                | 259       | 93-99    | <b>MCB 680</b>    | * | <b>SV</b>  |  |  | <b>MCB 707</b> | <b>SH</b> |
| R | 1100 R                  |                | 259       | 93-01    | <b>MCB 680</b>    | * | <b>SV</b>  |  |  | <b>MCB 707</b> | <b>SH</b> |
| R | 1100 RS                 |                | 89V2      | 92-01    | <b>MCB 680</b>    | * | <b>SV</b>  |  |  | <b>MCB 19</b>  |           |
| R | 1100 RT                 |                | 89V2      | 94-01    | <b>MCB 680</b>    | * | <b>SV</b>  |  |  | <b>MCB 707</b> | <b>SH</b> |
| R | 1100 S                  |                | 259S      | 96-11/00 | <b>MCB 680</b>    | * | <b>SV</b>  |  |  | <b>MCB 707</b> | <b>SH</b> |
| R | 1100 S Integral ABS     | Tokico         | R2S       | 12/00-03 | <b>MCB 736</b>    | * | <b>SV</b>  |  |  | <b>MCB 707</b> | <b>SH</b> |
| R | 1100 S Integral ABS     | Brembo         | R2S       | 12/00-03 | <b>MCB 748</b>    | * | <b>SV</b>  |  |  | <b>MCB 707</b> | <b>SH</b> |
| R | 1100 S                  |                | R2S       | 01-      | <b>MCB 748</b>    | * | <b>SV</b>  |  |  | <b>MCB 707</b> | <b>SH</b> |
| R | 1150 GS                 |                | R21       | 99-11/01 | <b>MCB 680</b>    | * | <b>SV</b>  |  |  | <b>MCB 707</b> | <b>SH</b> |
| R | 1150 GS                 |                | R21       | 12/01-03 | <b>MCB 748</b>    | * | <b>SV</b>  |  |  | <b>MCB 707</b> | <b>SH</b> |
| R | 1150 GS , GS Adventurer |                | R21       | 01-02    | <b>MCB 748</b>    | * | <b>SV</b>  |  |  | <b>MCB 707</b> | <b>SH</b> |
| R | 1150 GS, GS Adventurer  |                | R11R      | 03-05    | <b>MCB 736</b>    | * | <b>SV</b>  |  |  | <b>MCB 707</b> | <b>SH</b> |
| R | 1150 R                  |                | R21       | 01-03    | <b>MCB 736</b>    | * | <b>SV</b>  |  |  | <b>MCB 707</b> | <b>SH</b> |
| R | 1150 R Rockster         |                | R11R      | 03       | <b>MCB 736</b>    | * | <b>SV</b>  |  |  | <b>MCB 707</b> | <b>SH</b> |
| R | 1150 RS                 |                | R11RT     | 01-03    | <b>MCB 736</b>    | * | <b>SV</b>  |  |  | <b>MCB 707</b> | <b>SH</b> |
| R | 1150 RT Integral ABS    |                | R22/R11RT | 00-      | <b>MCB 748</b>    | * | <b>SV</b>  |  |  | <b>MCB 707</b> | <b>SH</b> |
| K | 1200 GT Integral ABS    |                | K12       | 01-05    | <b>MCB 748</b>    | * | <b>SV</b>  |  |  | <b>MCB 19</b>  |           |
| K | 1200 GT Integral ABS    | ohne Warnkabel | K12S      | 06-08    | <b>MCB 748</b>    | * | <b>SV</b>  |  |  | <b>MCB 707</b> | <b>SH</b> |
| K | 1200 LT                 |                | 589       | 97-10/00 | <b>MCB 680</b>    | * | <b>SV</b>  |  |  | <b>MCB 713</b> |           |
| K | 1200 LT Integral ABS    |                | K2LT      | 11/00-   | <b>MCB 736</b>    | * | <b>SV</b>  |  |  | <b>MCB 713</b> |           |
| K | 1200 R                  |                | K12R      | 05-      | <b>MCB 736</b>    | * | <b>SV</b>  |  |  | <b>MCB 707</b> | <b>SH</b> |
| K | 1200 R Sport            |                | K12R      | 07-      | <b>MCB 736</b>    | * | <b>SV</b>  |  |  | <b>MCB 707</b> | <b>SH</b> |
| K | 1200 RS                 |                | 589       | 96-00    | <b>MCB 680</b>    | * | <b>SV</b>  |  |  | <b>MCB 19</b>  |           |
| K | 1200 RS                 |                | K12       | 01-05    | <b>MCB 748</b>    | * | <b>SV</b>  |  |  | <b>MCB 19</b>  |           |
| K | 1200 S                  |                | K12S      | 05-      | <b>MCB 748</b>    | * | <b>SV</b>  |  |  | <b>MCB 707</b> | <b>SH</b> |
| R | 1200 C                  |                | 259C      | 97-02    | <b>MCB 680</b>    | * | <b>SV</b>  |  |  | <b>MCB 707</b> | <b>SH</b> |
| R | 1200 C                  |                | R2C       | 03-      | <b>MCB 736</b>    | * | <b>SV</b>  |  |  | <b>MCB 707</b> | <b>SH</b> |
| R | 1200 CL                 |                | R2C       | 03-      | <b>MCB 736</b>    | * | <b>SV</b>  |  |  | <b>MCB 713</b> |           |
| R | 1200 GS, GS Adventurer  |                | R12       | 04-      | <b>MCB 748</b>    | * | <b>SV</b>  |  |  | <b>MCB 707</b> | <b>SH</b> |
| R | 1200 GS Tripple Black   |                | R12       | 11-      | <b>MCB 748</b>    | * | <b>SV</b>  |  |  | <b>MCB 707</b> | <b>SH</b> |
| R | 1200 R                  |                | R1ST      | 06-      | <b>MCB 736</b>    | * | <b>SV</b>  |  |  | <b>MCB 707</b> | <b>SH</b> |
| R | 1200 RT                 |                | R12T      | 06-      | <b>MCB 748</b>    | * | <b>SV</b>  |  |  | <b>MCB 707</b> | <b>SH</b> |
| R | 1200 S                  |                | R12S      | 06-      | <b>MCB 748</b>    | * | <b>SV</b>  |  |  | <b>MCB 707</b> | <b>SH</b> |
| R | 1200 ST                 |                | R1ST      | 06-      | <b>MCB 748</b>    | * | <b>SV</b>  |  |  | <b>MCB 707</b> | <b>SH</b> |
|   | 1200 HP2 Enduro         |                | RHP2      | 06-      | <b>MCB 671</b>    |   | <b>SV</b>  |  |  | <b>MCB 648</b> | <b>SH</b> |
|   | 1200 HP2 Megamoto       |                | RHP2      | 07-      | <b>MCB 748</b>    | * | <b>SV</b>  |  |  | <b>MCB 707</b> | <b>SH</b> |
|   | 1200 HP2 Sport          |                | RHP2      | 08-      | <b>MCB 792 SV</b> | * | <b>SCR</b> |  |  | <b>MCB 648</b> | <b>SH</b> |
| K | 1300 GT, S              |                | K12S      | 09-      | <b>MCB 748</b>    | * | <b>SV</b>  |  |  | <b>MCB 648</b> | <b>SH</b> |
| K | 1300 R                  |                | K12S      | 09-      | <b>MCB 736</b>    | * | <b>SV</b>  |  |  | <b>MCB 707</b> | <b>SH</b> |
| K | 1600 GT, GTL            |                | K16GT     | 11-      | <b>MCB 748</b>    | * | <b>SV</b>  |  |  | <b>MCB 671</b> | <b>SH</b> |

**Bombardier**

|    |                          |   |         |       |                   |   |           |  |  |                   |  |
|----|--------------------------|---|---------|-------|-------------------|---|-----------|--|--|-------------------|--|
|    | 50 Quest                 |   |         | 03-04 | <b>MCS 832</b>    |   |           |  |  | <b>MCS 819</b>    |  |
| DS | 50                       |   |         | 02-04 | <b>MCS 832</b>    |   |           |  |  | <b>MCS 819</b>    |  |
|    | 90 Quest                 |   |         | 03-04 | <b>MCS 832</b>    |   |           |  |  | <b>MCS 819</b>    |  |
| DS | 90                       |   |         | 02-04 | <b>MCS 832</b>    |   |           |  |  | <b>MCS 819</b>    |  |
|    | 200 Rally 2x4            |   |         | 03-   | <b>MCB 519 SI</b> | * | <b>EC</b> |  |  |                   |  |
| DS | 250                      | → |         | 06-   | <b>MCB 723 SI</b> |   |           |  |  | <b>MCB 724 SI</b> |  |
| DS | 250                      | ← |         | 06-   | <b>MCB 724 SI</b> |   |           |  |  |                   |  |
|    | 330 Outlander            | → |         | 03-   | <b>MCB 723 SI</b> |   |           |  |  | <b>MCB 724 SI</b> |  |
|    | 330 Outlander            | ← |         | 03-   | <b>MCB 724 SI</b> |   |           |  |  |                   |  |
|    | 400 Outlander            | → |         | 03-06 | <b>MCB 723 SI</b> |   |           |  |  | <b>MCB 724 SI</b> |  |
|    | 400 Outlander            | ← |         | 03-06 | <b>MCB 724 SI</b> |   |           |  |  |                   |  |
|    | 500 Quest                | → |         | 02-   | <b>MCB 723 SI</b> |   |           |  |  | <b>MCB 724 SI</b> |  |
|    | 500 Quest                | ← |         | 02-   | <b>MCB 724 SI</b> |   |           |  |  |                   |  |
|    | 500 Traxter              |   | Traxter | 99-00 | <b>MCB 700</b>    | * |           |  |  | <b>MCB 700</b>    |  |
|    | 500 Traxter, Traxter Max | → |         | 01-06 | <b>MCB 723 SI</b> |   |           |  |  | <b>MCB 724 SI</b> |  |
|    | 500 Traxter, Traxter Max | ← |         | 01-06 | <b>MCB 724 SI</b> |   |           |  |  |                   |  |
|    | 650 Quest                | → |         | 02-   | <b>MCB 723 SI</b> |   |           |  |  | <b>MCB 724 SI</b> |  |
|    | 650 Quest                | ← |         | 02-   | <b>MCB 724 SI</b> |   |           |  |  |                   |  |
|    | 650 Quest Max            | → |         |       | <b>MCB 723 SI</b> |   |           |  |  | <b>MCB 724 SI</b> |  |
|    | 650 Quest Max            | ← |         |       | <b>MCB 724 SI</b> |   |           |  |  |                   |  |
|    | 650 Traxter Max          | → |         | 03-05 | <b>MCB 723 SI</b> |   |           |  |  | <b>MCB 724 SI</b> |  |
|    | 650 Traxter Max          | ← |         | 03-05 | <b>MCB 724 SI</b> |   |           |  |  |                   |  |
| DS | 650                      | → |         | 01-06 | <b>MCB 723 SI</b> |   |           |  |  | <b>MCB 724 SI</b> |  |
| DS | 650                      | ← |         | 01-06 | <b>MCB 724 SI</b> |   |           |  |  |                   |  |
|    | 800 Outlander            | → |         | 06-   | <b>MCB 723 SI</b> |   |           |  |  | <b>MCB 724 SI</b> |  |
|    | 800 Outlander            | ← |         | 06-   | <b>MCB 724 SI</b> |   |           |  |  |                   |  |



## Buell

|         |      |                           |     |       |                   |                   |            |                   |           |
|---------|------|---------------------------|-----|-------|-------------------|-------------------|------------|-------------------|-----------|
| XB9R    | 984  | Firebolt                  | XB1 | 02-   | <b>MCB 747 SV</b> |                   |            | <b>MCB 585</b>    | <b>SH</b> |
| XB9S    | 984  | Lightning                 | XB1 | 03-   | <b>MCB 747 SV</b> |                   |            | <b>MCB 585</b>    | <b>SH</b> |
| XB9SX   | 984  | Lightning City X          | XB1 | 05-   | <b>MCB 747 SV</b> |                   |            | <b>MCB 585</b>    | <b>SH</b> |
|         | 1125 | R, CR                     | 4 ☐ | XB3   | 08-               | <b>MCB 810 SV</b> |            | <b>MCB 811 SH</b> |           |
| M2      | 1200 | Cyclone                   | EB1 | 96-98 | <b>MCB 635 RQ</b> |                   |            | <b>MCB 523</b>    |           |
| M2      | 1200 | Cyclone                   | EB1 | 99-02 | <b>MCB 660 SV</b> | <b>SRQ</b>        | <b>CRQ</b> | <b>MCB 585</b>    | <b>SH</b> |
| S1      | 1200 | Lightning                 | EB1 | 96    | <b>MCB 635 RQ</b> |                   |            | <b>MCB 523</b>    |           |
| S3      | 1200 | Thunderbolt               | EB1 | 98-02 | <b>MCB 660 SV</b> | <b>SRQ</b>        |            | <b>MCB 585</b>    | <b>SH</b> |
| X 1     | 1200 | Lightning                 | BL1 | 98-01 | <b>MCB 660 SV</b> | <b>SRQ</b>        | <b>CRQ</b> | <b>MCB 585</b>    | <b>SH</b> |
| XB12R   | 1200 | Firebolt                  | XB1 | 04-08 | <b>MCB 747 SV</b> |                   |            | <b>MCB 585</b>    | <b>SH</b> |
| XB12R   | 1200 | Firebolt                  | 4 ☐ | 09-   | <b>MCB 810 SV</b> |                   |            | <b>MCB 585</b>    | <b>SH</b> |
| XB12S   | 1200 | Lightning, Lightning long | XB1 | 04-08 | <b>MCB 747 SV</b> |                   |            | <b>MCB 585</b>    | <b>SH</b> |
| XB12S   | 1200 | Lightning, Lightning long | 4 ☐ | 09-   | <b>MCB 810 SV</b> |                   |            | <b>MCB 585</b>    | <b>SH</b> |
| XB12STT | 1200 | Lightning Super TT        |     | 07-   | <b>MCB 747 SV</b> |                   |            | <b>MCB 585</b>    | <b>SH</b> |
| XB12X   | 1200 | Ulysses                   | XB2 | 06-   | <b>MCB 747 SV</b> |                   |            | <b>MCB 585</b>    | <b>SH</b> |

## Buffalo (Her Chee)

|    |     |              |  |     |                |           |           |                |              |
|----|-----|--------------|--|-----|----------------|-----------|-----------|----------------|--------------|
|    | 25  | Silver Fox   |  | 00- | <b>MCB 590</b> | <b>EC</b> |           | <b>MCS 962</b> |              |
|    | 50  | Silver Fox   |  | 00- | <b>MCB 590</b> | <b>EC</b> |           | <b>MCS 962</b> |              |
| TB | 50  | Thunder Bike |  |     | <b>MCB 519</b> | <b>EC</b> | <b>SR</b> | <b>MCB 519</b> | <b>EC SR</b> |
| TB | 150 | Thunder Bike |  |     | <b>MCB 519</b> | <b>EC</b> | <b>SR</b> | <b>MCB 519</b> | <b>EC SR</b> |

## Can-Am

|    |     |           |   |     |                   |  |  |                   |  |
|----|-----|-----------|---|-----|-------------------|--|--|-------------------|--|
| DS | 250 |           |   | 08- | <b>MCB 760 SI</b> |  |  | <b>MCB 760 SI</b> |  |
|    | 400 | Outlander | ☐ | 07- | <b>MCB 724 SI</b> |  |  | <b>MCB 723 SI</b> |  |
|    | 400 | Outlander | ☐ | 07- | <b>MCB 723 SI</b> |  |  |                   |  |
| DS | 450 |           |   | 08- |                   |  |  | <b>MCB 619</b>    |  |
|    | 500 | Outlander | ☐ | 07- | <b>MCB 724 SI</b> |  |  | <b>MCB 723 SI</b> |  |
|    | 500 | Outlander | ☐ | 07- | <b>MCB 723 SI</b> |  |  |                   |  |
|    | 500 | Renegade  | ☐ | 07- | <b>MCB 724 SI</b> |  |  | <b>MCB 723 SI</b> |  |
|    | 500 | Renegade  | ☐ | 07- | <b>MCB 723 SI</b> |  |  |                   |  |
|    | 650 | Outlander | ☐ | 07- | <b>MCB 724 SI</b> |  |  | <b>MCB 723 SI</b> |  |
|    | 650 | Outlander | ☐ | 07- | <b>MCB 723 SI</b> |  |  |                   |  |
|    | 800 | Outlander | ☐ | 07- | <b>MCB 724 SI</b> |  |  | <b>MCB 723 SI</b> |  |
|    | 800 | Outlander | ☐ | 07- | <b>MCB 723 SI</b> |  |  |                   |  |
|    | 800 | Renegade  | ☐ | 08- | <b>MCB 724 SI</b> |  |  | <b>MCB 723 SI</b> |  |
|    | 800 | Renegade  | ☐ | 08- | <b>MCB 723 SI</b> |  |  |                   |  |

## Cagiva

|      |     |            |     |       |                   |            |            |                |           |
|------|-----|------------|-----|-------|-------------------|------------|------------|----------------|-----------|
|      | 50  | Blues      |     | 93-   | <b>MCB 649</b>    |            |            | <b>MCB 651</b> |           |
|      | 50  | City       | 4P  | 92-   | <b>MCB 647</b>    |            |            | <b>MCS 800</b> |           |
|      | 50  | Cucciolo   |     | 97-   | <b>MCB 708</b>    | <b>EC</b>  |            |                |           |
|      | 50  | Nag        |     | 08-   | <b>MCB 694</b>    | <b>EC</b>  |            |                |           |
|      | 50  | Nuvola     |     | 00-   | <b>MCB 674</b>    | <b>EC</b>  | <b>SR</b>  |                |           |
|      | 50  | Prima      |     | 93-   | <b>MCB 649</b>    |            |            | <b>MCB 651</b> |           |
|      | 50  | Super City |     | 93-   | <b>MCB 618</b>    |            |            | <b>MCB 75</b>  |           |
|      | 50  | Typhoon    |     | 96-   | <b>MCB 688</b>    | <b>EC</b>  |            | <b>MCS 800</b> |           |
| W 4  | 50  | Pro Action |     | 91-95 | <b>MCB 75</b>     | <b>SI</b>  |            | <b>MCB 552</b> |           |
|      | 80  | City       |     | 93-   | <b>MCB 649</b>    |            |            | <b>MCB 651</b> | <b>EC</b> |
|      | 80  | Prima      |     | 93-   | <b>MCB 649</b>    |            |            | <b>MCB 75</b>  |           |
|      | 80  | Super City |     | 94-   | <b>MCB 618</b>    |            |            | <b>MCB 75</b>  |           |
| W 4  | 80  | Pro Action |     | 94-   | <b>MCB 75</b>     | <b>SI</b>  |            | <b>MCB 75</b>  |           |
|      | 125 | Blues      |     | 92-   | <b>MCB 557</b>    |            |            | <b>MCB 75</b>  |           |
|      | 125 | Brillo     |     | 08-   | <b>MCB 694</b>    | <b>EC</b>  |            | <b>MCB 539</b> |           |
|      | 125 | Cruiser    |     | 87-   | <b>MCB 563</b>    |            |            | <b>MCB 75</b>  |           |
|      | 125 | EVO        |     | 94-   | <b>MCB 540 SV</b> | <b>SRQ</b> | <b>CRQ</b> | <b>MCB 75</b>  | <b>RQ</b> |
|      | 125 | Mito 1     |     | 91-93 | <b>MCB 618</b>    |            |            | <b>MCB 75</b>  | <b>RQ</b> |
|      | 125 | Mito 2     |     | 94-   | <b>MCB 540 SV</b> | <b>SRQ</b> | <b>CRQ</b> | <b>MCB 75</b>  | <b>RQ</b> |
|      | 125 | Nuvola     |     | 00-   | <b>MCB 674</b>    | <b>SR</b>  | <b>RQ</b>  | <b>MCS 994</b> |           |
|      | 125 | Planet     | N1  | 97-02 | <b>MCB 540</b>    | <b>SV</b>  |            | <b>MCB 75</b>  | <b>RQ</b> |
|      | 125 | Raptor     |     | 03-   | <b>MCB 540</b>    | <b>SV</b>  |            | <b>MCB 75</b>  | <b>RQ</b> |
|      | 125 | Roadster   |     | 95-98 | <b>MCB 676</b>    |            |            |                |           |
|      | 125 | Stella     |     | 97-   | <b>MCB 684</b>    | <b>EC</b>  |            | <b>MCB 684</b> | <b>EC</b> |
|      | 125 | Super City |     | 92-   | <b>MCB 618</b>    |            |            | <b>MCB 563</b> |           |
|      | 125 | Typhoon    |     | 96-   | <b>MCB 688</b>    | <b>EC</b>  |            | <b>MCS 800</b> |           |
| K 7  | 125 |            |     | 91-   | <b>MCB 618</b>    |            |            | <b>MCB 75</b>  |           |
| N 90 | 125 |            |     | 91-   | <b>MCB 618</b>    |            |            | <b>MCB 552</b> |           |
| N1   | 125 |            |     | 96-97 | <b>MCB 618</b>    |            |            | <b>MCB 75</b>  |           |
| W8   | 125 |            |     | 92-95 | <b>MCB 75</b>     | <b>SI</b>  |            | <b>MCB 75</b>  | <b>SI</b> |
| W8   | 125 |            | 9PE | 96-   | <b>MCB 618</b>    |            |            | <b>MCB 523</b> |           |



## → CAGIVA

|     |      |                    |       |                   |             |            |  |                |  |           |           |
|-----|------|--------------------|-------|-------------------|-------------|------------|--|----------------|--|-----------|-----------|
| WMX | 125  |                    | 88    | <b>MCB 579</b>    | <b>SI</b>   |            |  |                |  |           |           |
| WMX | 125  |                    | 89-   | <b>MCB 579</b>    | <b>SI</b>   |            |  | <b>MCB 75</b>  |  | <b>SI</b> |           |
| WMX | 125  |                    | -87   | <b>MCB 75</b>     | <b>SI</b>   |            |  |                |  |           |           |
| WRK | 125  |                    | 89-   | <b>MCB 579</b>    | <b>SI</b>   |            |  |                |  |           |           |
| WRK | 125  |                    | 87-88 | <b>MCB 75</b>     | <b>SI</b>   |            |  |                |  |           |           |
|     | 200  | River              | 95    | <b>MCB 676</b>    |             |            |  |                |  |           |           |
|     | 200  | Roadster           | 95-98 | <b>MCB 676</b>    |             |            |  |                |  |           |           |
| WMX | 250  |                    | 88    | <b>MCB 579</b>    | <b>SI</b>   |            |  |                |  |           |           |
| WMX | 250  |                    | 89-   | <b>MCB 579</b>    | <b>SI</b>   |            |  | <b>MCB 75</b>  |  | <b>SI</b> |           |
| WMX | 250  |                    | -87   | <b>MCB 75</b>     | <b>SI</b>   |            |  |                |  |           |           |
| WRK | 250  |                    | 89-   | <b>MCB 579</b>    | <b>SI</b>   |            |  |                |  |           |           |
| WRK | 250  |                    | 87-88 | <b>MCB 75</b>     | <b>SI</b>   |            |  |                |  |           |           |
| WRK | 260  |                    | 89-   | <b>MCB 579</b>    | <b>SI</b>   |            |  |                |  |           |           |
| WRK | 260  |                    | 87-88 | <b>MCB 75</b>     | <b>SI</b>   |            |  |                |  |           |           |
|     | 350  | Elefant            | 86-   | <b>MCB 563</b>    |             |            |  | <b>MCB 75</b>  |  | <b>SI</b> |           |
| W12 | 350  |                    | 92    | <b>MCB 618</b>    |             |            |  | <b>MCB 75</b>  |  |           |           |
|     | 500  | Canyon             | 99-01 | <b>MCB 582</b>    | <b>SI</b>   |            |  | <b>MCB 615</b> |  | <b>SI</b> | <b>SH</b> |
| SP  | 525  | Mito               | 08-   | <b>MCB 540 SV</b> | <b>SRQ</b>  | <b>CRQ</b> |  | <b>MCB 75</b>  |  | <b>RQ</b> |           |
|     | 600  | Canyon             | 96-   | <b>MCB 624</b>    | <b>SV</b>   |            |  | <b>MCB 604</b> |  |           |           |
|     | 600  | River              | 94-   | <b>MCB 540</b>    | <b>* SV</b> |            |  | <b>MCB 75</b>  |  | <b>SI</b> |           |
| W16 | 600  |                    | 95-   | <b>MCB 618</b>    |             |            |  | <b>MCB 523</b> |  |           |           |
|     | 650  | Elefant            | 86-   | <b>MCB 563</b>    |             |            |  | <b>MCB 75</b>  |  | <b>SI</b> |           |
|     | 650  | Raptor             | 01-   | <b>MCB 683</b>    | <b>* SV</b> |            |  | <b>MCB 700</b> |  |           |           |
|     | 650  | V-Raptor           | 01-   | <b>MCB 683</b>    | <b>* SV</b> |            |  | <b>MCB 700</b> |  |           |           |
|     | 750  | Elefant            | 88-   | <b>MCB 75</b>     | <b>SI</b>   |            |  | <b>MCB 75</b>  |  | <b>SI</b> |           |
|     | 750  | Elefant Bifaro     | 90-97 | <b>MCB 563</b>    |             |            |  | <b>MCB 618</b> |  |           |           |
|     | 750  | Lucky Explorer     | 88    | <b>MCB 563</b>    |             |            |  | <b>MCB 75</b>  |  | <b>SI</b> |           |
|     | 900  | Canyon I.E.        | 97-   | <b>MCB 624</b>    | <b>* SV</b> |            |  | <b>MCB 615</b> |  | <b>SI</b> | <b>SH</b> |
|     | 900  | Elefant            | 93-   | <b>MCB 648</b>    | <b>* SV</b> | <b>EC</b>  |  | <b>MCB 648</b> |  | <b>SH</b> | <b>EC</b> |
|     | 900  | Gran Canyon        | 99-   | <b>MCB 598</b>    | <b>* SV</b> |            |  | <b>MCB 615</b> |  | <b>SH</b> |           |
|     | 900  | i.e. Elefant       | 90-92 | <b>MCB 624</b>    | <b>SV</b>   |            |  | <b>MCB 615</b> |  | <b>SI</b> | <b>SH</b> |
|     | 1000 | Navigator, T       | 00-   | <b>MCB 598</b>    | <b>SV</b>   |            |  | <b>MCB 615</b> |  | <b>SI</b> | <b>SH</b> |
|     | 1000 | Raptor             | 00-   | <b>MCB 683</b>    | <b>* SV</b> |            |  | <b>MCB 700</b> |  | <b>RQ</b> |           |
|     | 1000 | V-Raptor, X-Raptor | 00-   | <b>MCB 683</b>    | <b>* SV</b> |            |  | <b>MCB 700</b> |  | <b>RQ</b> |           |

## CCM

|       |     |           |     |                   |            |           |  |                   |  |            |           |
|-------|-----|-----------|-----|-------------------|------------|-----------|--|-------------------|--|------------|-----------|
|       | 450 | MX        | 08- | <b>MCB 648 SI</b> | <b>RSI</b> | <b>EC</b> |  | <b>MCB 739 SI</b> |  | <b>RSI</b> | <b>EC</b> |
| 604   | 600 | RS        | 01- | <b>MCB 648 SI</b> | <b>RSI</b> | <b>EC</b> |  | <b>MCB 672 SI</b> |  | <b>RSI</b> | <b>EC</b> |
| 604 E | 600 | Sport     | 98- | <b>MCB 648 SI</b> | <b>RSI</b> | <b>EC</b> |  | <b>MCB 672 SI</b> |  | <b>RSI</b> | <b>EC</b> |
| 604 E | 600 | Sportmoto | 98- | <b>MCB 648 SI</b> | <b>RSI</b> | <b>EC</b> |  | <b>MCB 672 SI</b> |  | <b>RSI</b> | <b>EC</b> |
|       | 644 | DS/R30    | 02- | <b>MCB 648 SI</b> | <b>RSI</b> | <b>EC</b> |  | <b>MCB 672 SI</b> |  | <b>RSI</b> | <b>EC</b> |

## CPI

|     |     |             |       |                   |            |            |  |                   |  |            |            |
|-----|-----|-------------|-------|-------------------|------------|------------|--|-------------------|--|------------|------------|
| GP  | 50  | Aragon, S   | 07-   | <b>MCB 694</b>    |            | <b>EC</b>  |  | <b>MCS 962</b>    |  |            |            |
|     | 50  | Crab        | 03-   |                   |            |            |  | <b>MCB 615 SI</b> |  |            |            |
|     | 50  | Formula R   | 07-   | <b>MCB 694</b>    |            | <b>EC</b>  |  | <b>MCS 962</b>    |  |            |            |
|     | 50  | Freaky      | 07-   | <b>MCB 694</b>    |            | <b>EC</b>  |  | <b>MCS 962</b>    |  |            |            |
|     | 50  | Hussar      | 03-   | <b>MCB 694</b>    |            | <b>EC</b>  |  | <b>MCS 962</b>    |  |            |            |
|     | 50  | Hussar FL   | 01-02 | <b>MCB 519</b>    | <b>EC</b>  | <b>SR</b>  |  | <b>MCS 962</b>    |  |            |            |
|     | 50  | Mars        | 01-   | <b>MCB 519</b>    | <b>EC</b>  | <b>SR</b>  |  | <b>MCS 962</b>    |  |            |            |
|     | 50  | Oliver      | 03-   | <b>MCB 694</b>    |            | <b>EC</b>  |  | <b>MCS 962</b>    |  |            |            |
|     | 50  | Popcorn     | 03-   | <b>MCB 694</b>    |            | <b>EC</b>  |  | <b>MCS 951</b>    |  |            |            |
|     | 50  | Popcorn FL  | 01-02 | <b>MCB 519</b>    | <b>EC</b>  | <b>SR</b>  |  | <b>MCS 962</b>    |  |            |            |
|     | 50  | Supercross  | 03-   | <b>MCB 535</b>    | <b>EC</b>  |            |  | <b>MCB 535</b>    |  | <b>EC</b>  |            |
|     | 50  | Supermotard | 03-   | <b>MCB 535</b>    | <b>EC</b>  |            |  | <b>MCB 535</b>    |  | <b>EC</b>  |            |
| GTR | 50  | /125/200    | 03-   | <b>MCB 734</b>    | <b>EC</b>  |            |  | <b>MCB 695</b>    |  | <b>EC</b>  |            |
| GTS | 50  | /125/200    | 02-   | <b>MCB 734</b>    | <b>EC</b>  |            |  | <b>MCB 695</b>    |  | <b>EC</b>  |            |
| XT  | 50  | Quad        | 06-   |                   |            |            |  | <b>MCB 615 SI</b> |  |            |            |
|     | 100 | Crab        | 03-   |                   |            |            |  | <b>MCB 615 SI</b> |  |            |            |
|     | 125 | Sahel       | 02-   | <b>MCB 669</b>    | <b>SI</b>  | <b>RSI</b> |  | <b>MCB 575</b>    |  | <b>SI</b>  | <b>RSI</b> |
|     | 125 | X - Large   | 02-   | <b>MCB 700</b>    | <b>SRM</b> | <b>EC</b>  |  | <b>MCB 700</b>    |  | <b>SRM</b> | <b>EC</b>  |
| GP  | 125 | Aragon      | 07-   | <b>MCB 694</b>    | <b>EC</b>  |            |  | <b>MCS 968</b>    |  |            |            |
|     | 200 | X - Large   | 02-   | <b>MCB 700</b>    | <b>SRM</b> | <b>EC</b>  |  | <b>MCB 700</b>    |  | <b>SRM</b> | <b>EC</b>  |
| XS  | 250 | ATV         | 06-07 | <b>MCB 760 SI</b> | <b>*</b>   |            |  | <b>MCB 615 SI</b> |  |            |            |
| XS  | 250 | Power Quad  | 07-   | <b>MCB 519 SI</b> | <b>*</b>   | <b>EC</b>  |  | <b>MCB 805 SI</b> |  |            |            |

## Daelim

|  |    |         |       |                |  |           |  |                |  |  |  |
|--|----|---------|-------|----------------|--|-----------|--|----------------|--|--|--|
|  | 50 | Cordi   | 05-   | <b>MCB 510</b> |  | <b>EC</b> |  |                |  |  |  |
|  | 50 | Delfino | 99-01 | <b>MCB 510</b> |  | <b>EC</b> |  | <b>MCS 817</b> |  |  |  |
|  | 50 | E-Five  | 03-   | <b>MCB 647</b> |  | <b>EC</b> |  |                |  |  |  |





## → DAELIM

|    |     |             |        |       |                     |            |           |  |                |                |               |
|----|-----|-------------|--------|-------|---------------------|------------|-----------|--|----------------|----------------|---------------|
|    | 50  | History     | SE1    | 01-   | <b>MCB 510</b>      |            |           |  | <b>MCB 510</b> |                |               |
|    | 50  | Tapo        |        | 99-   | <b>MCB 510</b>      |            |           |  | <b>MCS 813</b> |                |               |
|    | 50  | Vivo        |        | 99-   | <b>MCB 510</b>      |            |           |  | <b>MCS 817</b> |                |               |
| GZ | 50  | G Message   | GZ50GF | 98-   | <b>MCB 647</b>      |            |           |  |                |                |               |
| SJ | 50  | S-Five      | SE1    | 01-   | <b>MCB 647</b>      |            |           |  |                | <b>MCB 510</b> |               |
|    | 100 | Delfino     |        | 99-01 | <b>MCB 510</b>      |            |           |  |                | <b>MCS 817</b> |               |
|    | 125 | Besbi       |        | 08-   | <b>MCB 665</b>      | <b>EC</b>  |           |  |                |                |               |
|    | 125 | Daystar     |        | 00-   | <b>MCB 598</b>      | <b>SRM</b> |           |  |                | <b>MCS 817</b> |               |
|    | 125 | Delfino     |        | 08-   | <b>MCB 689</b>      | <b>EC</b>  |           |  |                |                |               |
|    | 125 | History     | SL     | 01-   | <b>MCB 510</b>      |            |           |  |                | <b>MCB 510</b> |               |
|    | 125 | Massage II  |        | 00-   | <b>MCB 510</b>      |            |           |  |                | <b>MCS 817</b> |               |
|    | 125 | Otello      | SG125F | 99-   | <b>MCB 510</b>      |            |           |  |                | <b>MCS 800</b> |               |
|    | 125 | Otello DLX  | SG     | 01-06 | <b>MCB 510</b>      |            |           |  |                | <b>MCB 510</b> |               |
| U3 | 125 | Otello FL   | 4☐     | 07-   | <b>MCB 706</b>      | <b>SRM</b> | <b>EC</b> |  |                | <b>MCB 510</b> |               |
|    | 125 | Roadwin     | VJ125  | 04-07 | <b>MCB 599</b>      |            |           |  |                | <b>MCB 604</b> |               |
|    | 125 | Roadwin     |        | 08-   | <b>MCB 599</b>      |            |           |  |                | <b>MCB 599</b> |               |
|    | 125 | Rocket      |        | 99-   | <b>MCB 598</b>      | <b>SRM</b> |           |  |                | <b>MCS 817</b> |               |
| NS | 125 | II          | SG125F | 97-   | <b>MCB 510</b>      |            |           |  |                | <b>MCS 817</b> |               |
| S2 | 125 | Freewing    | 4☐     | 07-   | <b>MCB 706</b>      | <b>SRM</b> | <b>EC</b> |  |                | <b>MCB 510</b> |               |
| S3 | 125 |             | 4☐     | 10-   | <b>MCB 706</b>      | <b>SRM</b> | <b>EC</b> |  |                | <b>MCB 663</b> | <b>SRM EC</b> |
| SL | 125 | U3 FI       | 4☐     | 07-   | <b>MCB 706</b>      | <b>SRM</b> | <b>EC</b> |  |                | <b>MCB 510</b> |               |
| VC | 125 | Advance     | VS125  | 95-96 | <b>MCB 510</b>      |            |           |  |                | <b>MCS 817</b> |               |
| VL | 125 | Daystar     | VL125F | 03-   | <b>MCB 599</b>      |            |           |  |                | <b>MCS 817</b> |               |
| VS | 125 | Evolution   | VS125  | 95-00 | <b>MCB 510</b>      |            |           |  |                | <b>MCS 817</b> |               |
| VS | 125 | Evolution   | VS125  | 01-04 | <b>MCB 599</b>      |            |           |  |                | <b>MCS 817</b> |               |
| VT | 125 | Evolution   | VS125F | 00-   | <b>MCB 599</b>      |            |           |  |                | <b>MCS 817</b> |               |
| VT | 125 | Magna       | VT125F | 97-   | <b>MCB 599</b>      |            |           |  |                |                |               |
|    | 250 | Roadwin     |        | 08-   | <b>MCB 599</b>      |            |           |  |                | <b>MCB 604</b> |               |
| ET | 250 | Quad        |        | 05-   | <b>MCB 519 SI *</b> | <b>EC</b>  |           |  |                | <b>MCB 604</b> |               |
| ST | 250 | Sector Quad |        | 05-06 | <b>MCB 519 SI *</b> | <b>EC</b>  |           |  |                | <b>MCB 800</b> |               |
| ET | 300 | Quad        |        | 07-   | <b>MCB 519 SI *</b> | <b>EC</b>  |           |  |                | <b>MCB 800</b> |               |

## Derbi

|     |    |                     |                |       |                |           |            |  |  |                |              |
|-----|----|---------------------|----------------|-------|----------------|-----------|------------|--|--|----------------|--------------|
| FD  |    | Yumbo               |                | 84-   | <b>MCB 535</b> | <b>EC</b> | <b>SR</b>  |  |  |                |              |
| FD  |    | Yumbo               |                | -84   | <b>MCB 596</b> |           |            |  |  |                |              |
| FD  |    | Yumbo Extra         |                | 87-   | <b>MCB 535</b> | <b>EC</b> | <b>SR</b>  |  |  |                |              |
| FD  |    | Yumbo Extra         |                | -84   | <b>MCB 596</b> |           |            |  |  |                |              |
| FDT |    |                     |                | 87-   | <b>MCB 535</b> | <b>EC</b> | <b>SR</b>  |  |  |                |              |
| FDT |    |                     |                | -84   | <b>MCB 596</b> |           |            |  |  |                |              |
| FDT |    | Coppa               |                | 85    | <b>MCB 535</b> | <b>EC</b> | <b>SR</b>  |  |  |                |              |
|     | 25 | Vamos               |                | 94-   | <b>MCB 535</b> | <b>EC</b> | <b>SR</b>  |  |  | <b>MCS 921</b> |              |
|     | 25 | Vamos               |                | -93   | <b>MCS 921</b> |           |            |  |  | <b>MCS 921</b> |              |
|     | 50 | Atlantis H20, Wave  | ATL            | 01-   | <b>MCB 535</b> | <b>EC</b> | <b>SR</b>  |  |  | <b>MCS 921</b> |              |
|     | 50 | Atlantis, Wave      | ATL            | 99-   | <b>MCB 535</b> | <b>EC</b> | <b>SR</b>  |  |  | <b>MCS 921</b> |              |
|     | 50 | „Atlantis 4T, 13“ „ |                | 07-   | <b>MCB 765</b> |           |            |  |  | <b>MCS 994</b> |              |
|     | 50 | Atlantis City       |                | 04-   | <b>MCB 535</b> | <b>EC</b> | <b>SR</b>  |  |  | <b>MCS 984</b> |              |
|     | 50 | Atlantis Bullet     |                | 04-   | <b>MCB 535</b> | <b>EC</b> | <b>SR</b>  |  |  | <b>MCS 984</b> |              |
|     | 50 | Aventura            | Aventura       | 96-   | <b>MCB 535</b> | <b>EC</b> | <b>SR</b>  |  |  | <b>MCS 921</b> |              |
|     | 50 | Boulevard           | Hengtong       | 09-   | <b>MCB 744</b> | <b>EC</b> | <b>SRM</b> |  |  | <b>MCS 994</b> |              |
|     | 50 | Easy                |                | 98-   | <b>MCB 535</b> | <b>EC</b> | <b>SR</b>  |  |  | <b>MCS 921</b> |              |
|     | 50 | Fenix               | Fenix H        | 94-   | <b>MCB 535</b> | <b>EC</b> | <b>SR</b>  |  |  | <b>MCB 535</b> | <b>EC SR</b> |
|     | 50 | Furax               | Furax F        | 96-   | <b>MCB 535</b> | <b>EC</b> | <b>SR</b>  |  |  | <b>MCB 535</b> | <b>EC SR</b> |
|     | 50 | Hunter              | Hunt           | 95-   | <b>MCB 535</b> | <b>EC</b> | <b>SR</b>  |  |  | <b>MCS 920</b> |              |
|     | 50 | Manhattan           |                | 98-   | <b>MCB 535</b> | <b>EC</b> | <b>SR</b>  |  |  | <b>MCS 921</b> |              |
|     | 50 | Predator LC         | Pred           | 98-01 | <b>MCB 535</b> | <b>EC</b> | <b>SR</b>  |  |  | <b>MCB 535</b> | <b>EC SR</b> |
|     | 50 | Predator O2         | Pred           | 00-   | <b>MCB 535</b> | <b>EC</b> | <b>SR</b>  |  |  | <b>MCS 921</b> |              |
|     | 50 | Record              |                | 98-   | <b>MCB 535</b> | <b>EC</b> | <b>SR</b>  |  |  | <b>MCS 921</b> |              |
|     | 50 | Senda               | Senda H        | 94-98 | <b>MCB 535</b> | <b>EC</b> | <b>SR</b>  |  |  | <b>MCB 535</b> | <b>EC SR</b> |
|     | 50 | Senda L             | Send           | 99-   | <b>MCB 564</b> | <b>SR</b> |            |  |  | <b>MCB 564</b> | <b>SR</b>    |
|     | 50 | Senda R X-treme, SM |                | 03-   | <b>MCB 535</b> | <b>EC</b> |            |  |  | <b>MCB 535</b> | <b>EC</b>    |
|     | 50 | Senda R X-race, SM  |                | 03-   | <b>MCB 535</b> | <b>EC</b> |            |  |  | <b>MCB 535</b> | <b>EC</b>    |
|     | 50 | Vamos               |                | -93   | <b>MCS 921</b> |           |            |  |  | <b>MCS 921</b> |              |
|     | 50 | Vamos L, FL         | Vamos G        | 94-   | <b>MCB 535</b> | <b>EC</b> | <b>SR</b>  |  |  | <b>MCS 921</b> |              |
|     | 50 | Vamos R             | AJP Vamos G    | 95-   | <b>MCB 535</b> | <b>EC</b> | <b>SR</b>  |  |  | <b>MCS 921</b> |              |
|     | 50 | Vamos R             | Brembo Vamos G | 95-   | <b>MCB 674</b> | <b>EC</b> | <b>SR</b>  |  |  | <b>MCS 921</b> |              |
|     | 50 | Variant Sport-R     |                | 01-   | <b>MCB 535</b> | <b>RQ</b> |            |  |  |                |              |
| DFW | 50 |                     |                | 04-   | <b>MCS 832</b> |           |            |  |  | <b>MCS 805</b> |              |
| DRD | 50 | Senda Racing, SM    |                | 05-   | <b>MCB 734</b> |           |            |  |  | <b>MCB 535</b> | <b>EC</b>    |
| DRD | 50 | Senda Pro R, Pro SM |                | 05-   | <b>MCB 700</b> |           |            |  |  | <b>MCB 735</b> |              |



### → DERBI

|     |     |                            |          |       |                     |            |            |            |                   |            |           |
|-----|-----|----------------------------|----------|-------|---------------------|------------|------------|------------|-------------------|------------|-----------|
| DRD | 50  | Senda EVO SM               |          | 08-   | <b>MCB 700</b>      |            |            |            | <b>MCB 735</b>    |            |           |
| GP1 | 50  | R/Replica                  | Pred     | 98-   | <b>MCB 525</b>      |            |            |            |                   |            |           |
| GP1 | 50  | Open                       |          | 05-   | <b>MCB 700</b>      | <b>EC</b>  | <b>SRM</b> |            | <b>MCB 535</b>    | <b>EC</b>  | <b>SR</b> |
| GPR | 50  | Nude, Racing               |          | 04-   | <b>MCB 700</b>      | <b>EC</b>  | <b>SRM</b> |            | <b>MCB 535</b>    | <b>EC</b>  | <b>SR</b> |
| ST  | 50  | Paddock                    | Hunt     | 97-   | <b>MCB 535</b>      | <b>EC</b>  | <b>SR</b>  |            | <b>MCS 921</b>    |            |           |
|     | 80  | Senda                      |          | 94-   | <b>MCB 535</b>      | <b>EC</b>  | <b>SR</b>  |            | <b>MCB 535</b>    | <b>EC</b>  | <b>SR</b> |
|     | 100 | Atlantis O2                |          | 00-   | <b>MCB 535</b>      | <b>EC</b>  | <b>SR</b>  |            | <b>MCS 921</b>    |            |           |
|     | 125 | Atmosphere                 |          | 99-   | <b>MCB 629</b>      |            |            |            | <b>MCS 921</b>    |            |           |
|     | 125 | Boulevard                  |          | 03-07 | <b>MCB 735</b>      | <b>EC</b>  |            |            | <b>MCS 994</b>    |            |           |
|     | 125 | /150/200 Boulevard         | Hengtong | 08-   | <b>MCB 744</b>      | <b>SRM</b> | <b>EC</b>  |            | <b>MCS 994</b>    |            |           |
|     | 125 | Mulhacen                   |          | 07    | <b>MCB 734</b>      |            |            |            | <b>MCB 765</b>    |            |           |
|     | 125 | Mulhacen                   |          | 08-   | <b>MCB 818</b>      |            |            |            | <b>MCB 765</b>    |            |           |
|     | 125 | Predator                   | Pred     | 99-   | <b>MCB 535</b>      | <b>EC</b>  | <b>SR</b>  |            | <b>MCS 921</b>    |            |           |
|     | 125 | Rambra                     |          | 08-   | <b>MCB 673</b>      | <b>EC</b>  |            |            | <b>MCB 710</b>    | <b>EC</b>  |           |
|     | 125 | Senda Cross City           | SC2D1B   | 07-   | <b>MCB 818</b>      |            |            |            | <b>MCB 735</b>    | <b>EC</b>  |           |
|     | 125 | Senda R, SM                |          | 04-   | <b>MCB 734</b>      |            |            |            | <b>MCB 735</b>    |            |           |
|     | 125 | Senda Baja SM              |          | 06-   | <b>MCB 734</b>      |            |            |            | <b>MCB 735</b>    |            |           |
|     | 125 | Senda Baja R               |          | 06-   | <b>MCB 734</b>      |            |            |            | <b>MCB 735</b>    |            |           |
|     | 125 | Senda Terra                |          | 07    | <b>MCB 535</b>      |            |            |            | <b>MCB 75</b>     |            |           |
|     | 125 | Senda Terra, Terra Advent. |          | 08-   | <b>MCB 818</b>      |            |            |            | <b>MCB 765</b>    |            |           |
| DRD | 125 | R, SM                      |          | 10-   | <b>MCB 700</b>      |            |            |            | <b>MCB 765</b>    |            |           |
| GP1 | 125 | Racing                     |          | 05-   | <b>MCB 700</b>      | <b>SRM</b> | <b>EC</b>  |            | <b>MCB 535</b>    | <b>EC</b>  |           |
| GPR | 125 | 2T Racing, Nude            |          | 05-08 | <b>MCB 780</b>      | <b>SV</b>  |            |            | <b>MCB 535</b>    | <b>EC</b>  |           |
| GPR | 125 | 4T                         |          | 09-   | <b>MCB 780</b>      | <b>SV</b>  |            |            | <b>MCB 765</b>    |            |           |
|     | 180 | Predator                   |          | 99-   | <b>MCB 629</b>      |            |            |            | <b>MCS 921</b>    |            |           |
| DXR | 200 | /250                       |          | 04-05 | <b>MCS 962</b>      |            |            |            | <b>MCB 523 SI</b> |            |           |
| DXR | 200 | /250                       |          | 04-07 | <b>MCB 519 SI *</b> | <b>EC</b>  |            |            | <b>MCB 523 SI</b> |            |           |
|     | 250 | /300 Rambra i              |          | 08-   | <b>MCB 673</b>      | <b>EC</b>  |            |            | <b>MCB 710</b>    | <b>SRM</b> | <b>EC</b> |
|     | 250 | RC                         |          | 85    | <b>MCB 75</b>       |            |            |            |                   |            |           |
|     | 250 | T                          |          | -82   | <b>MCB 596</b>      |            |            |            |                   |            |           |
| GP1 | 250 | Racing                     |          | 07-   | <b>MCB 700</b>      | <b>EC</b>  | <b>SRM</b> |            | <b>MCB 735</b>    | <b>EC</b>  |           |
|     | 659 | Mulhacen                   | 4☐       | 05    | <b>MCB 742 SV *</b> | <b>SRQ</b> | <b>CRQ</b> | <b>SCR</b> | <b>MCB 700</b>    | <b>RQ</b>  |           |
|     | 659 | Mulhacen                   | 4☐       | 06-   | <b>MCB 721 SV *</b> | <b>SRQ</b> | <b>CRQ</b> | <b>SCR</b> | <b>MCB 700</b>    | <b>RQ</b>  |           |

### Ducati

|     |     |                    |         |       |                     |            |            |            |                |           |           |
|-----|-----|--------------------|---------|-------|---------------------|------------|------------|------------|----------------|-----------|-----------|
|     | 350 | Desmo              |         |       | <b>MCB 19</b>       | <b>SV</b>  | <b>RQ</b>  |            |                |           |           |
|     | 350 | F3                 |         | 86    | <b>MCB 75 *</b>     | <b>RQ</b>  |            |            | <b>MCB 75</b>  |           |           |
|     | 350 | Indiana            |         | 86    | <b>MCB 563</b>      |            |            |            | <b>MCB 75</b>  |           |           |
|     | 350 | Paso               |         | 86    | <b>MCB 75 *</b>     |            |            |            | <b>MCB 75</b>  |           |           |
|     | 350 | S                  |         | 77-78 | <b>MCB 75</b>       |            |            |            |                |           |           |
|     | 350 | SS Supersport      |         | 93    | <b>MCB 540 SV</b>   | <b>SRQ</b> | <b>CRQ</b> |            | <b>MCB 75</b>  |           |           |
| GTL | 350 |                    |         |       | <b>MCB 75</b>       |            |            |            |                |           |           |
| GTV | 350 |                    |         |       | <b>MCB 75</b>       |            |            |            | <b>MCB 75</b>  |           |           |
| SL  | 350 | Pantha             |         |       | <b>MCB 19</b>       | <b>RQ</b>  |            |            | <b>MCB 19</b>  | <b>RQ</b> |           |
| XL  | 350 | Pantha             |         | 82-83 | <b>MCB 75</b>       |            |            |            | <b>MCB 75</b>  |           |           |
|     | 400 | F3                 |         | 87-   | <b>MCB 75</b>       |            |            |            | <b>MCB 75</b>  |           |           |
|     | 400 | Monster (Japan)    | M3      | 01-   | <b>MCB 683</b>      | <b>SV</b>  | <b>SRQ</b> | <b>CRQ</b> | <b>MCB 75</b>  |           |           |
|     | 400 | SS                 |         | 91-   | <b>MCB 540 SV</b>   | <b>SRQ</b> | <b>CRQ</b> |            | <b>MCB 75</b>  | <b>RQ</b> |           |
|     | 500 | Pantah             |         | 85    | <b>MCB 75</b>       |            |            |            | <b>MCB 75</b>  |           |           |
|     | 500 | S                  |         | 77-78 | <b>MCB 75</b>       |            |            |            |                |           |           |
| GTL | 500 |                    |         |       | <b>MCB 75</b>       |            |            |            |                |           |           |
| GTV | 500 |                    |         | 79-   | <b>MCB 19</b>       |            |            |            | <b>MCB 19</b>  | <b>RQ</b> |           |
| GTV | 500 |                    |         | 77-78 | <b>MCB 75</b>       |            |            |            | <b>MCB 75</b>  |           |           |
|     | 600 | Monster            | M       | 94-99 | <b>MCB 540</b>      |            |            |            | <b>MCB 75</b>  | <b>RQ</b> |           |
|     | 600 | Monster            | M3      | 00-01 | <b>MCB 683</b>      | <b>SV</b>  | <b>SRQ</b> | <b>CRQ</b> | <b>MCB 75</b>  | <b>RQ</b> |           |
|     | 600 | SS                 | S       | 94-   | <b>MCB 540 SV</b>   | <b>SRQ</b> | <b>CRQ</b> |            | <b>MCB 75</b>  | <b>RQ</b> |           |
|     | 620 | Monster Dark i.e.  | M4      | 02-   | <b>MCB 683 SV</b>   | <b>SRQ</b> | <b>CRQ</b> |            | <b>MCB 75</b>  | <b>RQ</b> |           |
|     | 620 | Monster i.e, s i.e | M4      | 02-04 | <b>MCB 683 SV *</b> | <b>SRQ</b> | <b>CRQ</b> |            | <b>MCB 75</b>  | <b>RQ</b> |           |
|     | 620 | Sport              | V5      | 03-   | <b>MCB 683 SV *</b> | <b>SRQ</b> | <b>CRQ</b> |            | <b>MCB 700</b> | <b>RQ</b> |           |
|     | 620 | Monster Dark       | M4      | 05-06 | <b>MCB 671 *</b>    | <b>SV</b>  |            |            | <b>MCB 672</b> | <b>SH</b> |           |
|     | 650 | Indiana            |         | 86    | <b>MCB 563</b>      |            |            |            | <b>MCB 75</b>  |           |           |
|     | 650 | Pantah             |         | 84    | <b>MCB 75</b>       |            |            |            | <b>MCB 75</b>  |           |           |
|     | 695 | Monster            |         | 06-   | <b>MCB 671 *</b>    | <b>SV</b>  |            |            | <b>MCB 75</b>  | <b>RQ</b> |           |
|     | 696 | Monster            |         | 08-   | <b>MCB 683 *</b>    | <b>SV</b>  | <b>SRQ</b> | <b>CRQ</b> | <b>MCB 700</b> | <b>SH</b> | <b>RQ</b> |
|     | 748 | Biposto            | 748     | 95-98 | <b>MCB 540 SV *</b> | <b>SRQ</b> | <b>CRQ</b> |            | <b>MCB 75</b>  | <b>RQ</b> |           |
|     | 748 | Biposto            | 748     | 99-   | <b>MCB 683 SV *</b> | <b>SRQ</b> | <b>CRQ</b> |            | <b>MCB 75</b>  | <b>RQ</b> |           |
|     | 748 | R                  | ZDM748S | 00    | <b>MCB 683 SV *</b> | <b>SRQ</b> | <b>CRQ</b> | <b>SCR</b> | <b>MCB 75</b>  | <b>RQ</b> |           |
|     | 748 | R                  | 4☐ H3   | 01-02 | <b>MCB 721 SV *</b> | <b>SRQ</b> | <b>CRQ</b> | <b>SCR</b> | <b>MCB 700</b> | <b>SH</b> | <b>RQ</b> |
|     | 748 | SP                 | ZDM748S | 95-96 | <b>MCB 540 SV</b>   | <b>SRQ</b> | <b>CRQ</b> |            | <b>MCB 75</b>  | <b>RQ</b> |           |





→ **DUCATI**

|      |      |                           |               |         |       |                     |            |            |            |                |           |           |  |
|------|------|---------------------------|---------------|---------|-------|---------------------|------------|------------|------------|----------------|-----------|-----------|--|
|      | 748  | SPS                       |               | 748     | 97-00 | <b>MCB 683 SV *</b> | <b>SRQ</b> | <b>CRQ</b> | <b>SCR</b> | <b>MCB 75</b>  | <b>RQ</b> |           |  |
|      | 749  | , S                       | 4             | H5      | 03-   | <b>MCB 721 SV *</b> | <b>SRQ</b> | <b>CRQ</b> | <b>SCR</b> | <b>MCB 700</b> | <b>SH</b> | <b>RQ</b> |  |
|      | 749  | R                         | 4             | H5      | 04-   | <b>MCB 721 SV *</b> | <b>SRQ</b> | <b>CRQ</b> | <b>SCR</b> | <b>MCB 700</b> | <b>SH</b> | <b>RQ</b> |  |
|      | 750  | F1                        |               |         | 86    | <b>MCB 19 *</b>     | <b>RQ</b>  |            |            | <b>MCB 19</b>  |           |           |  |
|      | 750  | Monster                   |               | M       | 95-99 | <b>MCB 540 SV *</b> | <b>SRQ</b> | <b>CRQ</b> |            | <b>MCB 75</b>  | <b>RQ</b> |           |  |
|      | 750  | Monster                   |               | M       | 00-01 | <b>MCB 683 SV *</b> | <b>SRQ</b> | <b>CRQ</b> |            | <b>MCB 75</b>  | <b>RQ</b> |           |  |
|      | 750  | Monster i.e.              |               | M1      | 02    | <b>MCB 683 SV *</b> | <b>SRQ</b> | <b>CRQ</b> |            | <b>MCB 75</b>  | <b>RQ</b> |           |  |
|      | 750  | Paso                      |               |         | 86    | <b>MCB 75 *</b>     |            |            |            | <b>MCB 75</b>  | <b>RQ</b> |           |  |
|      | 750  | Sport                     |               | ZDM750S | 00-   | <b>MCB 683 SV *</b> | <b>SRQ</b> | <b>CRQ</b> |            | <b>MCB 700</b> | <b>SH</b> | <b>RQ</b> |  |
|      | 750  | SS i.e. Carenata          |               | S       | 99-   | <b>MCB 683 SV *</b> | <b>SRQ</b> | <b>CRQ</b> |            | <b>MCB 75</b>  | <b>RQ</b> |           |  |
|      | 750  | SS i.e. Nuda              |               | S       | 99-   | <b>MCB 683 SV *</b> | <b>SRQ</b> | <b>CRQ</b> |            | <b>MCB 75</b>  | <b>RQ</b> |           |  |
|      | 750  | SS Supersport             |               | S       | 91-98 | <b>MCB 540 SV *</b> | <b>SRQ</b> | <b>CRQ</b> |            | <b>MCB 75</b>  | <b>RQ</b> |           |  |
|      | 750  | Supersport                |               | V2      | 00-   | <b>MCB 683 SV *</b> | <b>SRQ</b> | <b>CRQ</b> |            | <b>MCB 75</b>  | <b>RQ</b> |           |  |
|      | 796  | Monster                   |               |         | 11-   | <b>MCB 683 SV *</b> | <b>SRQ</b> | <b>CRQ</b> |            | <b>MCB 700</b> | <b>SH</b> | <b>RQ</b> |  |
|      | 800  | Monster Dark i.e., S i.e. |               | M4      | 03-   | <b>MCB 683 SV *</b> | <b>SRQ</b> | <b>CRQ</b> |            | <b>MCB 75</b>  | <b>RQ</b> |           |  |
|      | 800  | Monster i.e., s i.e.      |               | M4      | 03-   | <b>MCB 683 SV *</b> | <b>SRQ</b> | <b>CRQ</b> |            | <b>MCB 75</b>  | <b>RQ</b> |           |  |
|      | 800  | Sport, Supersport         |               | V5      | 03-   | <b>MCB 683 SV *</b> | <b>SRQ</b> | <b>CRQ</b> |            | <b>MCB 700</b> | <b>SH</b> | <b>RQ</b> |  |
| S2R  | 800  | Monster                   |               | M4      | 05-   | <b>MCB 648 *</b>    | <b>SV</b>  |            |            | <b>MCB 672</b> | <b>SH</b> |           |  |
|      | 848  |                           |               | H6      | 08-10 | <b>MCB 683 SV *</b> | <b>SRQ</b> | <b>CRQ</b> | <b>SCR</b> | <b>MCB 700</b> | <b>SH</b> | <b>RQ</b> |  |
|      | 848  | EVO                       | Radialcaliper |         | 11-   | <b>MCB 792 SV *</b> | <b>SRQ</b> | <b>CRQ</b> | <b>SCR</b> | <b>MCB 700</b> | <b>SH</b> | <b>RQ</b> |  |
|      | 848  | Streetfighter             |               |         | 12-   | <b>MCB 683 *</b>    | <b>SV</b>  | <b>SRQ</b> |            | <b>MCB 700</b> | <b>SH</b> | <b>RQ</b> |  |
|      | 848  | Streetfighter S           |               |         | 12-   | <b>MCB 792 SV *</b> | <b>SRQ</b> |            |            | <b>MCB 700</b> | <b>SH</b> | <b>RQ</b> |  |
|      | 851  | S.P.4                     |               |         | 91-   | <b>MCB 540 SV *</b> | <b>SRQ</b> | <b>CRQ</b> |            | <b>MCB 75</b>  | <b>RQ</b> |           |  |
|      | 851  | Strada                    |               |         | 89-   | <b>MCB 540 SV *</b> | <b>SRQ</b> | <b>CRQ</b> |            | <b>MCB 75</b>  | <b>RQ</b> |           |  |
|      | 851  | Superbike, Strada         |               |         | 90-   | <b>MCB 540 SV *</b> | <b>SRQ</b> | <b>CRQ</b> |            | <b>MCB 75</b>  | <b>RQ</b> |           |  |
|      | 888  | S.P.4                     |               | S       | 91-   | <b>MCB 540 SV *</b> | <b>SRQ</b> | <b>CRQ</b> |            | <b>MCB 75</b>  | <b>RQ</b> |           |  |
|      | 888  | S.P.5                     |               | S       | 91-   | <b>MCB 540 SV *</b> | <b>SRQ</b> | <b>CRQ</b> |            | <b>MCB 75</b>  | <b>RQ</b> |           |  |
|      | 888  | SP Racing                 |               | S       | 93-   | <b>MCB 540 SV *</b> | <b>SRQ</b> | <b>CRQ</b> |            | <b>MCB 75</b>  | <b>RQ</b> |           |  |
|      | 888  | Strada                    |               | S       | 93-   | <b>MCB 540 SV *</b> | <b>SRQ</b> | <b>CRQ</b> |            | <b>MCB 75</b>  | <b>RQ</b> |           |  |
|      | 900  | Monster                   |               | M       | 93-99 | <b>MCB 540 SV *</b> | <b>SRQ</b> | <b>CRQ</b> |            | <b>MCB 75</b>  |           |           |  |
|      | 900  | Monster                   |               | M       | 00-01 | <b>MCB 683 *</b>    | <b>SV</b>  | <b>SRQ</b> | <b>CRQ</b> | <b>MCB 75</b>  |           |           |  |
|      | 900  | Monster                   |               | M2      | 02    | <b>MCB 683 *</b>    | <b>SV</b>  | <b>SRQ</b> | <b>CRQ</b> | <b>MCB 75</b>  |           |           |  |
|      | 900  | S2 Desmo                  |               |         | 85    | <b>MCB 19 *</b>     | <b>RQ</b>  |            |            | <b>MCB 19</b>  |           |           |  |
|      | 900  | SS                        |               | S       | 90-97 | <b>MCB 540 SV *</b> | <b>SRQ</b> | <b>CRQ</b> |            | <b>MCB 75</b>  | <b>RQ</b> |           |  |
|      | 900  | SS FE                     |               | S       | 98-   | <b>MCB 683 SV *</b> | <b>SRQ</b> | <b>CRQ</b> |            | <b>MCB 700</b> | <b>SH</b> | <b>RQ</b> |  |
|      | 900  | SS i.e. Carenata          |               | S       | 99-   | <b>MCB 683 SV *</b> | <b>SRQ</b> | <b>CRQ</b> |            | <b>MCB 700</b> | <b>SH</b> | <b>RQ</b> |  |
|      | 900  | SS i.e. Nuda              |               | S       | 99-   | <b>MCB 683 SV *</b> | <b>SRQ</b> | <b>CRQ</b> |            | <b>MCB 75</b>  | <b>RQ</b> |           |  |
|      | 900  | Superlight                |               |         | 91-   | <b>MCB 540 SV *</b> | <b>SRQ</b> | <b>CRQ</b> |            | <b>MCB 75</b>  | <b>RQ</b> |           |  |
|      | 900  | Supersport                |               | V1      | 98-   | <b>MCB 683 SV *</b> | <b>SRQ</b> | <b>CRQ</b> |            | <b>MCB 700</b> | <b>SH</b> | <b>RQ</b> |  |
| MH   | 900  | Mike Hailwood R.          |               | MH      | 85    | <b>MCB 19 *</b>     | <b>RQ</b>  |            |            | <b>MCB 19</b>  |           |           |  |
| MH   | 900  | Mike Hailwood R.          |               | V3      | 00-   | <b>MCB 683 SV *</b> | <b>SRQ</b> | <b>CRQ</b> |            | <b>MCB 75</b>  | <b>RQ</b> |           |  |
|      | 906  | Paso                      |               |         | 89    | <b>MCB 19 *</b>     | <b>RQ</b>  |            |            | <b>MCB 19</b>  |           |           |  |
|      | 907  | i.E.                      |               |         | 91-   | <b>MCB 540 SV *</b> | <b>SRQ</b> | <b>CRQ</b> |            | <b>MCB 75</b>  | <b>RQ</b> |           |  |
|      | 916  | Biposto                   |               |         | 94-   | <b>MCB 540 SV *</b> | <b>SRQ</b> | <b>CRQ</b> |            | <b>MCB 75</b>  | <b>RQ</b> |           |  |
|      | 916  | Monster S4                |               | M4      | 01-03 | <b>MCB 683 *</b>    | <b>SV</b>  | <b>SRQ</b> | <b>CRQ</b> | <b>MCB 75</b>  | <b>RQ</b> |           |  |
|      | 916  | SPS                       |               | 916     | 97-98 | <b>MCB 683 SV *</b> | <b>SRQ</b> | <b>CRQ</b> | <b>SCR</b> | <b>MCB 75</b>  | <b>RQ</b> |           |  |
|      | 916  | ST 4, ST 4 S              |               |         | 99-03 | <b>MCB 683 *</b>    | <b>SV</b>  | <b>SRQ</b> | <b>CRQ</b> | <b>MCB 700</b> | <b>SH</b> | <b>RQ</b> |  |
|      | 916  | Strada                    |               |         | 94-   | <b>MCB 540 SV *</b> | <b>SRQ</b> | <b>CRQ</b> |            | <b>MCB 75</b>  | <b>RQ</b> |           |  |
|      | 944  | Sport Touring             |               | S1      | 97-03 | <b>MCB 683 *</b>    | <b>SV</b>  | <b>SRQ</b> | <b>CRQ</b> | <b>MCB 700</b> | <b>SH</b> | <b>RQ</b> |  |
|      | 990  | Desmosedici RR            |               |         | 08-   | <b>MCB 792 SV *</b> | <b>SRQ</b> | <b>CRQ</b> | <b>SCR</b> | <b>MCB 700</b> | <b>SH</b> | <b>RQ</b> |  |
|      | 992  | ST 3                      |               |         | 04-   | <b>MCB 683 *</b>    | <b>SV</b>  | <b>SRQ</b> | <b>CRQ</b> | <b>MCB 700</b> | <b>SH</b> | <b>RQ</b> |  |
|      | 996  | R                         | 4             | H2      | 01    | <b>MCB 721 SV *</b> | <b>SRQ</b> | <b>CRQ</b> | <b>SCR</b> | <b>MCB 700</b> | <b>SH</b> | <b>RQ</b> |  |
|      | 996  | S                         |               | H1      | 01-   | <b>MCB 683 SV *</b> | <b>SRQ</b> | <b>CRQ</b> |            | <b>MCB 75</b>  | <b>RQ</b> |           |  |
|      | 996  | ST4s, ABS                 |               | S2      | 99-   | <b>MCB 683 SV *</b> | <b>SRQ</b> | <b>CRQ</b> |            | <b>MCB 75</b>  | <b>RQ</b> |           |  |
|      | 998  | R                         | 4             | H2      | 02-   | <b>MCB 721 SV *</b> | <b>SRQ</b> | <b>CRQ</b> | <b>SCR</b> | <b>MCB 700</b> | <b>SH</b> | <b>RQ</b> |  |
|      | 998  | S                         |               | H2      | 02    | <b>MCB 683 SV *</b> | <b>SRQ</b> | <b>CRQ</b> | <b>SCR</b> | <b>MCB 75</b>  | <b>RQ</b> |           |  |
|      | 999  | S, R                      | 4             | H4      | 03-   | <b>MCB 721 SV *</b> | <b>SRQ</b> | <b>CRQ</b> | <b>SCR</b> | <b>MCB 700</b> | <b>SH</b> | <b>RQ</b> |  |
|      | 1000 | Mike Hailwood R.          |               | MH      | 85    | <b>MCB 19 *</b>     | <b>RQ</b>  |            |            | <b>MCB 19</b>  |           |           |  |
|      | 1000 | Mille Replica             |               |         | 84    | <b>MCB 19 *</b>     | <b>RQ</b>  |            |            | <b>MCB 19</b>  |           |           |  |
|      | 1000 | Monster Dark i.e., s i.e. |               | M4      | 03-   | <b>MCB 683 SV *</b> | <b>SRQ</b> | <b>CRQ</b> |            | <b>MCB 75</b>  | <b>RQ</b> |           |  |
|      | 1000 | Multistrada DS            |               | A1      | 03-   | <b>MCB 683 SV *</b> | <b>SRQ</b> | <b>CRQ</b> |            | <b>MCB 700</b> | <b>RQ</b> |           |  |
|      | 1000 | Paul Smart                |               | C1      | 05-   | <b>MCB 671 SV *</b> |            |            |            | <b>MCB 672</b> | <b>SH</b> |           |  |
|      | 1000 | S2 Desmo                  |               |         | 85    | <b>MCB 19 *</b>     | <b>RQ</b>  |            |            | <b>MCB 19</b>  |           |           |  |
|      | 1000 | Supersport DS             |               | V5      | 03-   | <b>MCB 683 SV *</b> | <b>SRQ</b> | <b>CRQ</b> |            | <b>MCB 700</b> | <b>SH</b> | <b>RQ</b> |  |
| S2R  | 1000 | Monster                   |               |         | 06-   | <b>MCB 683 SV *</b> | <b>SRQ</b> | <b>CRQ</b> |            | <b>MCB 75</b>  | <b>RQ</b> |           |  |
| S4R  | 1000 | Monster                   |               | M4      | 07-   | <b>MCB 683 SV *</b> | <b>SRQ</b> | <b>CRQ</b> |            | <b>MCB 75</b>  | <b>RQ</b> |           |  |
| S4RS | 1000 | Monster                   | 4             | M4      | 06-   | <b>MCB 721 SV *</b> | <b>SRQ</b> | <b>CRQ</b> | <b>SCR</b> | <b>MCB 700</b> | <b>SH</b> | <b>RQ</b> |  |
|      | 1098 | R, S                      |               | H7      | 07-   | <b>MCB 792 SV *</b> | <b>SRQ</b> | <b>CRQ</b> | <b>SCR</b> | <b>MCB 700</b> | <b>SH</b> | <b>RQ</b> |  |
|      | 1098 | Streetfighter, S          |               |         | 09-   | <b>MCB 792 SV *</b> | <b>SRQ</b> | <b>CRQ</b> | <b>SCR</b> | <b>MCB 700</b> | <b>SH</b> | <b>RQ</b> |  |





## → DUCATI

|      |                |               |     |                     |            |            |            |                |           |           |
|------|----------------|---------------|-----|---------------------|------------|------------|------------|----------------|-----------|-----------|
| 1100 | Monster, S     |               | 09- | <b>MCB 683 SV *</b> | <b>SRQ</b> | <b>CRQ</b> |            | <b>MCB 700</b> | <b>SH</b> | <b>RQ</b> |
| 1100 | Monster Evo    | Radialcaliper | 11- | <b>MCB 683 SV *</b> | <b>SRQ</b> | <b>CRQ</b> |            | <b>MCB 700</b> | <b>SH</b> | <b>RQ</b> |
| 1100 | Hypermotard S  |               | 07- | <b>MCB 792 SV</b>   | <b>SRQ</b> | <b>CRQ</b> | <b>SCR</b> | <b>MCB 700</b> | <b>SH</b> | <b>RQ</b> |
| 1100 | Multistrada, S | A1            | 07- | <b>MCB 683 SV *</b> | <b>SRQ</b> | <b>CRQ</b> |            | <b>MCB 700</b> | <b>SH</b> | <b>RQ</b> |
| 1198 | , S            |               | 09- | <b>MCB 792 SV *</b> | <b>SRQ</b> | <b>CRQ</b> | <b>SCR</b> | <b>MCB 700</b> | <b>SH</b> | <b>RQ</b> |
| 1199 | Panigale, S    |               | 12- | <b>MCB 792 SV *</b> | <b>SRQ</b> | <b>CRQ</b> | <b>SCR</b> | <b>MCB 700</b> | <b>SH</b> | <b>RQ</b> |
| 1200 | Diavel         |               | 11- | <b>MCB 792 SV *</b> | <b>SRQ</b> | <b>CRQ</b> | <b>SCR</b> | <b>MCB 648</b> | <b>SH</b> |           |
| 1200 | Multistrada S  |               | 10- | <b>MCB 683 SV *</b> | <b>SRQ</b> | <b>CRQ</b> |            | <b>MCB 700</b> | <b>SH</b> | <b>RQ</b> |

## Elstars

|     |       |  |     |                |  |  |  |                |  |  |
|-----|-------|--|-----|----------------|--|--|--|----------------|--|--|
| 125 | Blade |  | 10- | <b>MCB 844</b> |  |  |  | <b>MCB 844</b> |  |  |
|-----|-------|--|-----|----------------|--|--|--|----------------|--|--|

## Enders

|    |            |  |     |                |           |  |  |                |  |  |
|----|------------|--|-----|----------------|-----------|--|--|----------------|--|--|
| 50 | EMR AP, DJ |  | 96- | <b>MCS 800</b> |           |  |  | <b>MCS 800</b> |  |  |
| 50 | EMR SK, TD |  | 95- | <b>MCB 665</b> | <b>EC</b> |  |  | <b>MCS 800</b> |  |  |

## Ering (Baotian)

|    |             |  |  |                |           |  |  |  |  |  |
|----|-------------|--|--|----------------|-----------|--|--|--|--|--|
| 50 | Big Panther |  |  | <b>MCB 590</b> | <b>EC</b> |  |  |  |  |  |
| 50 | Dynamic     |  |  | <b>MCB 590</b> | <b>EC</b> |  |  |  |  |  |
| 50 | Smart Rider |  |  | <b>MCB 590</b> | <b>EC</b> |  |  |  |  |  |
| 50 | Warrior     |  |  | <b>MCB 590</b> | <b>EC</b> |  |  |  |  |  |

## Ering (Her Chee)

|    |                     |  |  |                |           |  |  |  |  |  |
|----|---------------------|--|--|----------------|-----------|--|--|--|--|--|
| 50 | s. Adly, s. Buffalo |  |  | <b>MCB 590</b> | <b>EC</b> |  |  |  |  |  |
|----|---------------------|--|--|----------------|-----------|--|--|--|--|--|

## E-Ton

|     |     |             |       |                  |           |           |  |                   |           |  |
|-----|-----|-------------|-------|------------------|-----------|-----------|--|-------------------|-----------|--|
| JXL | 40  | Viper       | 03-04 |                  |           |           |  | <b>MCS 819</b>    |           |  |
| DXL | 90  | Ranger      | 03-04 |                  |           |           |  | <b>MCS 819</b>    |           |  |
| EXL | 150 | Viper ST    | 05-   | <b>MCB 519 *</b> | <b>SI</b> | <b>EC</b> |  | <b>MCS 819</b>    |           |  |
| EXL | 150 | Yukon ST    | 05-   | <b>MCB 519 *</b> | <b>SI</b> | <b>EC</b> |  | <b>MCS 819</b>    |           |  |
| RXL | 150 | Viper R     | 05-   | <b>MCS 800 *</b> |           |           |  | <b>MCB 615 SI</b> |           |  |
| YXL | 150 | Yukon       | 00-03 | <b>MCS 800 *</b> |           |           |  | <b>MCB 615 SI</b> | <b>SH</b> |  |
| VXL | 250 | /300 Vector | 06-   | <b>MCB 800 *</b> |           |           |  | <b>MCB 517</b>    |           |  |
| VTX | 300 | Vortex      | 06-   | <b>MCB 519 *</b> | <b>SI</b> | <b>EC</b> |  | <b>MCB 517</b>    |           |  |

## Factory

|     |       |              |     |                |           |  |  |                |           |           |
|-----|-------|--------------|-----|----------------|-----------|--|--|----------------|-----------|-----------|
| 50  | Helix |              | 04- |                |           |  |  | <b>MCB 519</b> | <b>SI</b> | <b>EC</b> |
| 50  | Rex   |              | 04- |                |           |  |  | <b>MCB 519</b> | <b>SI</b> | <b>EC</b> |
| R14 | 50    | Phantom Aire | 03- | <b>MCB 535</b> | <b>EC</b> |  |  |                |           |           |
| RP  | 50    | Desert       | 04- | <b>MCB 664</b> | <b>EC</b> |  |  | <b>MCB 535</b> | <b>EC</b> |           |
| SM  | 50    | Chrono       | 04- | <b>MCB 664</b> | <b>EC</b> |  |  | <b>MCB 535</b> | <b>EC</b> |           |
| SP  | 50    | Chrono       | 04- | <b>MCB 664</b> | <b>EC</b> |  |  | <b>MCB 535</b> | <b>EC</b> |           |
| YR  | 50    | Desert       | 04- | <b>MCB 664</b> | <b>EC</b> |  |  | <b>MCB 535</b> | <b>EC</b> |           |
|     | 100   | Helix        | 04- |                |           |  |  | <b>MCB 519</b> | <b>SI</b> | <b>EC</b> |
|     | 100   | Rex          | 04- |                |           |  |  | <b>MCB 519</b> | <b>SI</b> | <b>EC</b> |
| YR  | 125   |              | 06- | <b>MCB 525</b> |           |  |  | <b>MCB 535</b> | <b>EC</b> |           |

## Fantic

|     |                        |  |     |                |           |            |           |                   |            |           |
|-----|------------------------|--|-----|----------------|-----------|------------|-----------|-------------------|------------|-----------|
| 50  | Big Wheel              |  | 93- | <b>MCB 590</b> | <b>EC</b> |            |           | <b>MCB 657</b>    |            |           |
| 50  | Grinta                 |  | 95- | <b>MCB 590</b> | <b>EC</b> |            |           | <b>MCB 657</b>    |            |           |
| 50  | Leader                 |  | 95- | <b>MCB 590</b> | <b>EC</b> |            |           | <b>MCB 657</b>    |            |           |
| 50  | Pony                   |  | 93- | <b>MCB 590</b> | <b>EC</b> |            |           | <b>MCS 962</b>    |            |           |
| 50  | Queenie                |  | 93- | <b>MCB 590</b> | <b>EC</b> |            |           | <b>MCS 962</b>    |            |           |
| 50  | /125 Supersei Motard   |  | 08- | <b>MCB 734</b> |           |            |           | <b>MCB 519</b>    | <b>SI</b>  | <b>EC</b> |
| 50  | /125 Regolarna Casa    |  | 08- | <b>MCB 734</b> |           |            |           | <b>MCB 519</b>    | <b>SI</b>  | <b>EC</b> |
| 50  | /80 Regolarna Compet.  |  | 08- | <b>MCB 669</b> | <b>SI</b> | <b>RSI</b> | <b>EC</b> | <b>MCB 575 SI</b> | <b>RSI</b> | <b>EC</b> |
| 50  | RC Caballero           |  | 95- | <b>MCB 664</b> |           |            |           | <b>MCB 657</b>    |            |           |
| 80  | RC Caballero           |  | 95- | <b>MCB 664</b> |           |            |           | <b>MCB 552</b>    |            |           |
| 80  | Trial                  |  | 89  | <b>MCB 535</b> | <b>RQ</b> | <b>EC</b>  |           | <b>MCB 535</b>    | <b>RQ</b>  | <b>EC</b> |
| 85  | /125 Regolarna Compet. |  | 08- | <b>MCB 669</b> | <b>SI</b> | <b>RSI</b> | <b>EC</b> | <b>MCB 575 SI</b> | <b>RSI</b> | <b>EC</b> |
| 125 | Hit                    |  | 94- | <b>MCB 590</b> | <b>EC</b> |            |           | <b>MCS 962</b>    |            |           |
| 125 | Raider                 |  | 83- | <b>MCB 552</b> |           |            |           |                   |            |           |
| 125 | Trial                  |  | 89  | <b>MCB 535</b> | <b>RQ</b> | <b>EC</b>  |           | <b>MCB 535</b>    | <b>RQ</b>  | <b>EC</b> |
| 125 | Trial                  |  | 86  | <b>MCB 564</b> |           |            |           |                   |            |           |
| 125 | Trial                  |  | 87  | <b>MCB 564</b> |           |            |           | <b>MCB 564</b>    |            |           |
| 201 | Trial                  |  | 86- | <b>MCB 564</b> |           |            |           |                   |            |           |
| 205 | Trial                  |  | 89- | <b>MCB 535</b> | <b>RQ</b> | <b>EC</b>  |           | <b>MCB 535</b>    | <b>RQ</b>  | <b>EC</b> |
| 240 | Trial                  |  | 86- | <b>MCB 564</b> |           |            |           |                   |            |           |
| 241 | Trial                  |  | 86- | <b>MCB 564</b> |           |            |           |                   |            |           |
| 243 | Trial                  |  | 86- | <b>MCB 564</b> |           |            |           |                   |            |           |





## → FANTIC

|  |     |        |  |     |                |           |           |  |                |           |           |
|--|-----|--------|--|-----|----------------|-----------|-----------|--|----------------|-----------|-----------|
|  | 247 | Trial  |  | 90- | <b>MCB 535</b> | <b>RQ</b> | <b>EC</b> |  | <b>MCB 535</b> | <b>RQ</b> | <b>EC</b> |
|  | 249 | Trial  |  | 90- | <b>MCB 535</b> | <b>RQ</b> | <b>EC</b> |  | <b>MCB 535</b> | <b>RQ</b> | <b>EC</b> |
|  | 250 | Raider |  | 85- | <b>MCB 557</b> |           |           |  |                |           |           |
|  | 301 | Trial  |  | 85- | <b>MCB 564</b> |           |           |  |                |           |           |
|  | 303 | Trial  |  | 87- | <b>MCB 535</b> | <b>RQ</b> | <b>EC</b> |  | <b>MCB 535</b> | <b>RQ</b> | <b>EC</b> |
|  | 305 | Trial  |  | 89- | <b>MCB 535</b> | <b>RQ</b> | <b>EC</b> |  | <b>MCB 535</b> | <b>RQ</b> | <b>EC</b> |
|  | 307 | Trial  |  | 90- | <b>MCB 535</b> | <b>RQ</b> | <b>EC</b> |  | <b>MCB 535</b> | <b>RQ</b> | <b>EC</b> |
|  | 309 | Trial  |  | 90- | <b>MCB 535</b> | <b>RQ</b> | <b>EC</b> |  | <b>MCB 535</b> | <b>RQ</b> | <b>EC</b> |
|  |     | K-R00  |  | 91- | <b>MCB 535</b> | <b>RQ</b> | <b>EC</b> |  | <b>MCB 535</b> | <b>RQ</b> | <b>EC</b> |

## Flex Tech (Benzhou)

|    |    |                   |  |     |                |           |  |  |  |  |  |
|----|----|-------------------|--|-----|----------------|-----------|--|--|--|--|--|
|    |    | Eco-flash 2000    |  |     | <b>MCB 822</b> |           |  |  |  |  |  |
|    | 25 | /50/125 Fun       |  |     | <b>MCB 590</b> | <b>EC</b> |  |  |  |  |  |
|    | 25 | /50/125 Firenze   |  | 09- | <b>MCB 590</b> | <b>EC</b> |  |  |  |  |  |
|    | 25 | /50/125 Piacenza  |  | 10- | <b>MCB 590</b> | <b>EC</b> |  |  |  |  |  |
|    | 25 | /50/125 Top Speed |  | 09- | <b>MCB 590</b> | <b>EC</b> |  |  |  |  |  |
| YY | 50 | QT                |  |     | <b>MCB 590</b> | <b>EC</b> |  |  |  |  |  |

## Flex Tech (Jinlun)

|  |    |                 |  |  |                |  |  |  |  |  |  |
|--|----|-----------------|--|--|----------------|--|--|--|--|--|--|
|  | 50 | Hurrican X1, X2 |  |  | <b>MCB 822</b> |  |  |  |  |  |  |
|--|----|-----------------|--|--|----------------|--|--|--|--|--|--|

## Flex Tech (Benzhou)

|  |    |             |  |  |                |           |           |  |  |  |  |
|--|----|-------------|--|--|----------------|-----------|-----------|--|--|--|--|
|  | 50 | Napoli      |  |  | <b>MCB 590</b> | <b>EC</b> |           |  |  |  |  |
|  | 50 | Speedy, TVZ |  |  | <b>MCB 519</b> | <b>EC</b> | <b>SR</b> |  |  |  |  |

## Flex Tech (Baotian)

|    |    |    |  |  |                |           |  |  |  |  |  |
|----|----|----|--|--|----------------|-----------|--|--|--|--|--|
| BT | 50 | QT |  |  | <b>MCB 590</b> | <b>EC</b> |  |  |  |  |  |
|----|----|----|--|--|----------------|-----------|--|--|--|--|--|

## Garelli

|     |     |                |        |       |                |           |           |  |                |           |  |
|-----|-----|----------------|--------|-------|----------------|-----------|-----------|--|----------------|-----------|--|
|     | 50  | Capri LX       | QT-7   | 06-   | <b>MCB 590</b> | <b>EC</b> |           |  |                |           |  |
|     | 50  | Ciclone        |        | 07-   | <b>MCB 590</b> | <b>EC</b> |           |  |                |           |  |
|     | 50  | Flo            |        | 00-   | <b>MCB 674</b> |           |           |  |                |           |  |
|     | 50  | Flexi          |        | 09-   | <b>MCB 694</b> | <b>EC</b> |           |  |                |           |  |
|     | 50  | Grinta         |        | 95-   | <b>MCB 590</b> | <b>EC</b> |           |  | <b>MCS 962</b> |           |  |
|     | 50  | GSP 2T         |        | 09-   | <b>MCB 694</b> | <b>EC</b> |           |  | <b>MCB 535</b> | <b>EC</b> |  |
|     | 50  | Pony           |        | 93-94 | <b>MCS 962</b> |           |           |  | <b>MCS 962</b> |           |  |
|     | 50  | Pony SR        |        | 95-   | <b>MCB 590</b> | <b>EC</b> |           |  | <b>MCS 962</b> |           |  |
|     | 50  | Queenie        |        | 95-   | <b>MCB 590</b> | <b>EC</b> |           |  | <b>MCS 962</b> |           |  |
|     | 50  | Sahel          |        | 91-   | <b>MCB 578</b> |           |           |  | <b>MCB 535</b> | <b>EC</b> |  |
| PMX | 50  | Rally          |        | 00-   | <b>MCB 590</b> |           |           |  |                |           |  |
| PMX | 50  | Sport          |        | 00-   | <b>MCB 684</b> |           |           |  |                |           |  |
|     | 50  | Tiesse Four 4T |        | 08-   | <b>MCB 694</b> | <b>EC</b> |           |  | <b>MCS 962</b> |           |  |
|     | 50  | Vip            |        | 08-   | <b>MCB 590</b> | <b>EC</b> |           |  |                |           |  |
|     | 50  | XO 2T,4T       | QT-31  | 10-   | <b>MCB 694</b> | <b>EC</b> |           |  | <b>MCB 694</b> | <b>EC</b> |  |
|     | 50  | XO Electric    |        | 12-   | <b>MCB 822</b> |           |           |  | <b>MCB 539</b> |           |  |
|     | 80  | Sahel          |        | 91-   | <b>MCB 578</b> |           |           |  | <b>MCB 535</b> | <b>EC</b> |  |
|     | 125 | Flexi          |        | 09-   | <b>MCB 694</b> | <b>EC</b> |           |  |                |           |  |
|     | 125 | Flexi          |        | 12-   | <b>MCB 822</b> |           |           |  |                |           |  |
|     | 125 | Freeland       |        | 02-   | <b>MCB 684</b> | <b>EC</b> |           |  |                |           |  |
|     | 125 | Panther        |        | 02-   | <b>MCB 647</b> |           |           |  | <b>MCB 674</b> | <b>EC</b> |  |
|     | 125 | T-Rex          |        | 00-   | <b>MCB 684</b> | <b>EC</b> |           |  |                |           |  |
|     | 125 | XO             | TM125T | 09-   | <b>MCB 822</b> |           |           |  | <b>MCB 539</b> |           |  |
|     | 150 | Panther        |        | 02-   | <b>MCB 647</b> |           |           |  | <b>MCB 674</b> | <b>EC</b> |  |
|     | 150 | XO             | TM150T | 09-   | <b>MCB 822</b> |           |           |  | <b>MCB 539</b> |           |  |
|     | 200 | XO             | TM200T | 10-   | <b>MCB 689</b> | <b>EC</b> |           |  | <b>MCB 539</b> |           |  |
|     | 250 | Panther        |        | 02-   | <b>MCB 647</b> |           |           |  | <b>MCB 674</b> | <b>EC</b> |  |
|     | 323 | Trial          |        | 86-   | <b>MCB 535</b> | <b>RQ</b> | <b>EC</b> |  |                |           |  |

## Gas Gas

|     |     |             |  |       |                     |            |            |           |                   |            |           |
|-----|-----|-------------|--|-------|---------------------|------------|------------|-----------|-------------------|------------|-----------|
|     | 50  | Wild HP     |  | 04-   | <b>MCB 648 SI *</b> | <b>RSI</b> | <b>EC</b>  |           | <b>MCB 648 SI</b> | <b>RSI</b> | <b>EC</b> |
| EC  | 50  | Boy, Rookie |  | 01-   | <b>MCB 770</b>      |            |            |           | <b>MCB 770</b>    |            |           |
| TXT | 50  | Boy, Rookie |  | 01-   | <b>MCB 770</b>      |            |            |           | <b>MCB 770</b>    |            |           |
| MC  | 65  |             |  | 05-   | <b>MCB 770</b>      |            |            |           | <b>MCB 770</b>    |            |           |
| TXT | 80  | Rookie      |  | 02-03 | <b>MCB 770</b>      |            |            |           | <b>MCB 770</b>    |            |           |
|     | 125 | 4-Takt      |  | 99-   | <b>MCB 535</b>      | <b>EC</b>  |            |           | <b>MCB 535</b>    |            | <b>EC</b> |
|     | 125 | MC          |  | 95-02 | <b>MCB 648 SV</b>   | <b>SI</b>  | <b>RSI</b> | <b>EC</b> | <b>MCB 672 SI</b> | <b>RSI</b> | <b>EC</b> |
|     | 125 | MC          |  | 03-   | <b>MCB 669 SI</b>   | <b>RSI</b> | <b>EC</b>  |           | <b>MCB 575 SI</b> | <b>RSI</b> | <b>EC</b> |
|     | 125 | Pampera     |  | 97-03 | <b>MCB 535</b>      | <b>EC</b>  |            |           | <b>MCB 535</b>    | <b>EC</b>  |           |
|     | 125 | Pampera     |  | 04-   | <b>MCB 734</b>      |            |            |           | <b>MCB 770</b>    |            |           |
|     | 125 | TT          |  | 95-   | <b>MCB 648 SV</b>   | <b>SI</b>  | <b>RSI</b> | <b>EC</b> | <b>MCB 672 SI</b> | <b>RSI</b> | <b>EC</b> |







## → GAS GAS

|     |                    |  |       |                     |            |            |            |                   |            |           |
|-----|--------------------|--|-------|---------------------|------------|------------|------------|-------------------|------------|-----------|
|     | 125 TT, MC         |  | 94    | <b>MCB 648 SV</b>   | <b>SI</b>  | <b>RSI</b> | <b>EC</b>  | <b>MCB 523 SI</b> |            |           |
| TX  | 125 Randonne       |  | 12-   | <b>MCB 766</b>      |            |            |            | <b>MCB 767</b>    |            |           |
| TXT | 125                |  | 04-   | <b>MCB 766</b>      |            |            |            | <b>MCB 767</b>    |            |           |
| EC  | 125 /200           |  | 99-09 | <b>MCB 669</b>      | <b>SI</b>  | <b>RSI</b> | <b>EC</b>  | <b>MCB 575 SI</b> | <b>RSI</b> | <b>EC</b> |
| EC  | 125 /200           |  | 10-   | <b>MCB 669</b>      | <b>SI</b>  | <b>RSI</b> | <b>EC</b>  | <b>MCB 739 SI</b> | <b>RSI</b> | <b>EC</b> |
| TXT | 200                |  | 04-   | <b>MCB 766</b>      |            |            |            | <b>MCB 767</b>    |            |           |
|     | 240 Wild HP        |  | 04-   | <b>MCB 648 SI *</b> | <b>RSI</b> | <b>EC</b>  |            | <b>MCB 648 SI</b> | <b>RSI</b> | <b>EC</b> |
|     | 250 MC             |  | 95-   | <b>MCB 648 SV</b>   | <b>SI</b>  | <b>RSI</b> | <b>EC</b>  | <b>MCB 672 SH</b> | <b>RSI</b> | <b>EC</b> |
|     | 250 Pampera        |  | 97-03 | <b>MCB 535</b>      | <b>EC</b>  |            |            | <b>MCB 535</b>    | <b>EC</b>  |           |
|     | 250 Pampera        |  | 04-   | <b>MCB 734</b>      |            |            |            | <b>MCB 770</b>    |            |           |
|     | 250 TT             |  | 95-   | <b>MCB 648 SV</b>   | <b>SI</b>  | <b>RSI</b> | <b>EC</b>  | <b>MCB 672 SH</b> | <b>RSI</b> | <b>EC</b> |
|     | 250 TT, MC         |  | 94    | <b>MCB 648 SV</b>   | <b>SI</b>  | <b>RSI</b> | <b>EC</b>  | <b>MCB 523 SI</b> |            |           |
| EC  | 250                |  | 00-09 | <b>MCB 669</b>      | <b>SI</b>  | <b>RSI</b> | <b>EC</b>  | <b>MCB 575 SI</b> | <b>RSI</b> | <b>EC</b> |
| EC  | 250                |  | 10-   | <b>MCB 669</b>      | <b>SI</b>  | <b>RSI</b> | <b>EC</b>  | <b>MCB 739 SI</b> | <b>RSI</b> | <b>EC</b> |
| TXT | 250                |  | 04-   | <b>MCB 766</b>      |            |            |            | <b>MCB 767</b>    |            |           |
|     | 280 Pampera        |  | 02-   | <b>MCB 734</b>      |            |            |            | <b>MCB 770</b>    |            |           |
| TXT | 280                |  | 04-   | <b>MCB 766</b>      |            |            |            | <b>MCB 767</b>    |            |           |
|     | 300 Wild HP        |  | 03-   | <b>MCB 648 SI *</b> | <b>RSI</b> | <b>EC</b>  |            | <b>MCB 648 SI</b> | <b>RSI</b> | <b>EC</b> |
| EC  | 300                |  | 99-09 | <b>MCB 669</b>      | <b>SI</b>  | <b>RSI</b> | <b>EC</b>  | <b>MCB 575 SI</b> | <b>RSI</b> | <b>EC</b> |
| EC  | 300                |  | 10-   | <b>MCB 669</b>      | <b>SI</b>  | <b>RSI</b> | <b>EC</b>  | <b>MCB 739 SI</b> | <b>RSI</b> | <b>EC</b> |
| TXT | 300                |  | 04-   | <b>MCB 766</b>      |            |            |            | <b>MCB 767</b>    |            |           |
|     | 370 Pampera        |  | 97-   | <b>MCB 535</b>      | <b>EC</b>  |            |            | <b>MCB 535</b>    | <b>EC</b>  |           |
|     | 400 Pampera        |  | 06-   | <b>MCB 669 SI</b>   | <b>RSI</b> | <b>EC</b>  |            | <b>MCB 575 SI</b> | <b>RSI</b> | <b>EC</b> |
| SM  | 400 fse            |  | 02-   | <b>MCB 540</b>      | <b>SV</b>  | <b>SRQ</b> | <b>CRQ</b> | <b>MCB 575 SI</b> | <b>RSI</b> | <b>EC</b> |
| EC  | 450 fse, fsr       |  | 03-09 | <b>MCB 669 SI</b>   | <b>RSI</b> | <b>EC</b>  |            | <b>MCB 575 SI</b> | <b>RSI</b> | <b>EC</b> |
| EC  | 450                |  | 10-   | <b>MCB 669 SI</b>   | <b>RSI</b> | <b>EC</b>  |            | <b>MCB 739 SI</b> | <b>RSI</b> | <b>EC</b> |
| SM  | 450 fse            |  | 03-06 | <b>MCB 540</b>      | <b>SV</b>  | <b>SRQ</b> | <b>CRQ</b> | <b>MCB 575 SI</b> | <b>RSI</b> | <b>EC</b> |
| SM  | 450 FSR            |  | 07-   | <b>MCB 540</b>      | <b>SV</b>  | <b>SRQ</b> | <b>CRQ</b> | <b>MCB 575 SI</b> | <b>RSI</b> | <b>EC</b> |
|     | 450 Wild HP        |  | 03-   | <b>MCB 648 SI *</b> | <b>RSI</b> | <b>EC</b>  |            | <b>MCB 648 SI</b> | <b>RSI</b> | <b>EC</b> |
| EC  | 515 FSR            |  | 08-09 | <b>MCB 669 SI</b>   | <b>RSI</b> | <b>EC</b>  |            | <b>MCB 575 SI</b> | <b>RSI</b> | <b>EC</b> |
| EC  | 515 FSR            |  | 10-   | <b>MCB 669 SI</b>   | <b>RSI</b> | <b>EC</b>  |            | <b>MCB 739 SI</b> | <b>RSI</b> | <b>EC</b> |
|     | alle Trial Modelle |  | 92-   | <b>MCB 535</b>      | <b>RQ</b>  | <b>EC</b>  |            | <b>MCB 535</b>    | <b>RQ</b>  | <b>EC</b> |

## Generic

|  |                       |     |     |                |           |  |  |                |  |  |
|--|-----------------------|-----|-----|----------------|-----------|--|--|----------------|--|--|
|  | 50 Cracker            | B05 | 09- | <b>MCB 694</b> | <b>EC</b> |  |  | <b>MCS 962</b> |  |  |
|  | 50 Epico              |     | 10- | <b>MCB 694</b> | <b>EC</b> |  |  | <b>MCS 962</b> |  |  |
|  | 50 Ideo               |     | 05- | <b>MCB 694</b> | <b>EC</b> |  |  | <b>MCS 962</b> |  |  |
|  | 50 Onyx               |     | 10- | <b>MCB 674</b> | <b>EC</b> |  |  | <b>MCS 962</b> |  |  |
|  | 50 Roc, Stroke        |     | 08- | <b>MCB 694</b> | <b>EC</b> |  |  | <b>MCS 962</b> |  |  |
|  | 50 Toxic              |     | 07- | <b>MCB 734</b> | <b>EC</b> |  |  | <b>MCB 674</b> |  |  |
|  | 50 XOR                |     | 05- | <b>MCB 694</b> | <b>EC</b> |  |  | <b>MCS 962</b> |  |  |
|  | 50 Mini Trigger SM, X |     | 08- | <b>MCB 844</b> |           |  |  | <b>MCB 844</b> |  |  |
|  | 50 Trigger SM, X      |     | 06- | <b>MCB 734</b> | <b>EC</b> |  |  | <b>MCB 552</b> |  |  |
|  | 125 Soho              |     | 06- | <b>MCB 694</b> | <b>EC</b> |  |  | <b>MCS 968</b> |  |  |
|  | 125 Stroke            |     | 08- | <b>MCB 694</b> | <b>EC</b> |  |  | <b>MCS 968</b> |  |  |
|  | 125 Trigger SM, X     |     | 08- | <b>MCB 734</b> | <b>EC</b> |  |  | <b>MCB 552</b> |  |  |
|  | 125 XOR               |     | 05- | <b>MCB 694</b> | <b>EC</b> |  |  | <b>MCS 968</b> |  |  |
|  | 125 Zion              |     | 08- | <b>MCB 689</b> | <b>EC</b> |  |  | <b>MCS 968</b> |  |  |

## Gilera

|  |                 |              |       |                |           |            |  |                |           |           |
|--|-----------------|--------------|-------|----------------|-----------|------------|--|----------------|-----------|-----------|
|  | 50 DNA          | Grimeca C27  | 01-05 | <b>MCB 664</b> | <b>EC</b> | <b>SRM</b> |  | <b>MCB 596</b> |           |           |
|  | 50 DNA          | Hengtong C27 | 01-05 | <b>MCB 744</b> | <b>EC</b> | <b>SRM</b> |  | <b>MCB 596</b> |           |           |
|  | 50 Eaglet       | 503          | 96-   | <b>MCB 578</b> |           |            |  | <b>MCB 657</b> |           |           |
|  | 50 Easy Moving  |              | 95-   | <b>MCB 674</b> | <b>EC</b> | <b>SR</b>  |  | <b>MCS 800</b> |           |           |
|  | 50 GSM          |              | 00-   | <b>MCB 535</b> | <b>EC</b> | <b>SR</b>  |  | <b>MCB 535</b> | <b>EC</b> | <b>SR</b> |
|  | 50 H@K          | C33          | 00-   | <b>MCB 535</b> | <b>EC</b> | <b>SR</b>  |  | <b>MCB 535</b> | <b>EC</b> | <b>SR</b> |
|  | 50 Ice          | C30          | 01-   | <b>MCB 696</b> | <b>EC</b> | <b>SR</b>  |  | <b>MCS 989</b> |           |           |
|  | 50 Purejet      | C14          | 99-   | <b>MCB 696</b> | <b>EC</b> | <b>SR</b>  |  | <b>MCB 695</b> | <b>EC</b> | <b>SR</b> |
|  | 50 Runner       |              | 96    | <b>MCB 688</b> | <b>EC</b> |            |  | <b>MCS 989</b> |           |           |
|  | 50 Runner       | C14          | 97-   | <b>MCB 696</b> | <b>EC</b> | <b>SR</b>  |  | <b>MCS 984</b> |           |           |
|  | 50 Runner SP    | C14          | 98-05 | <b>MCB 696</b> | <b>EC</b> | <b>SR</b>  |  | <b>MCB 827</b> |           |           |
|  | 50 Runner PJ/SP |              | 06-   | <b>MCB 744</b> | <b>EC</b> | <b>SRM</b> |  | <b>MCB 827</b> |           |           |
|  | 50 Stalker      | C13          | 97-   | <b>MCB 674</b> | <b>EC</b> | <b>SR</b>  |  | <b>MCB 827</b> |           |           |
|  | 50 Storm        |              | 95-   | <b>MCB 674</b> | <b>EC</b> | <b>SR</b>  |  | <b>MCS 800</b> |           |           |
|  | 50 Surfer       |              | 00-   | <b>MCB 535</b> | <b>EC</b> | <b>SR</b>  |  | <b>MCS 984</b> |           |           |
|  | 50 Typhoon      |              | 93-95 | <b>MCB 674</b> | <b>EC</b> | <b>SR</b>  |  | <b>MCS 991</b> |           |           |
|  | 50 Typhoon      | TPH          | 01-   | <b>MCB 688</b> | <b>EC</b> | <b>SR</b>  |  | <b>MCS 989</b> |           |           |
|  | 50 Typhoon      | TEC          | 96-00 | <b>MCB 688</b> | <b>EC</b> | <b>SR</b>  |  | <b>MCS 989</b> |           |           |
|  | 50 Zulu         | C33          | 01-   | <b>MCB 535</b> | <b>EC</b> | <b>SR</b>  |  | <b>MCB 535</b> | <b>EC</b> | <b>SR</b> |





## → GILERA

|     |     |              |              |       |                     |            |           |                    |            |           |
|-----|-----|--------------|--------------|-------|---------------------|------------|-----------|--------------------|------------|-----------|
| GSM | 50  | Supermotard  |              | 01-   | <b>MCB 535</b>      | <b>EC</b>  |           | <b>MCB 535</b>     | <b>EC</b>  |           |
| NRG | 50  |              |              | 94-   | <b>MCB 674</b>      | <b>EC</b>  | <b>SR</b> | <b>MCS 800</b>     |            |           |
|     | 70  | Runner SP    |              | 98-   | <b>MCB 696</b>      | <b>EC</b>  | <b>SR</b> | <b>MCB 695</b>     | <b>EC</b>  | <b>SR</b> |
|     | 80  | Runner       |              | 96    | <b>MCB 688</b>      | <b>EC</b>  | <b>SR</b> | <b>MCS 989</b>     |            |           |
|     | 80  | Runner       |              | 97-   | <b>MCB 696</b>      | <b>EC</b>  | <b>SR</b> | <b>MCS 984</b>     |            |           |
|     | 80  | Typhoon      |              | 93-95 | <b>MCB 674</b>      | <b>EC</b>  | <b>SR</b> | <b>MCS 991</b>     |            |           |
|     | 80  | Typhoon      |              | 96-   | <b>MCB 688</b>      | <b>EC</b>  | <b>SR</b> | <b>MCS 989</b>     |            |           |
|     | 125 | Apache       |              | 91-   | <b>MCB 563</b>      |            |           | <b>MCB 539</b>     |            |           |
|     | 125 | Chrono       |              | 91    | <b>MCB 572</b>      | <b>RQ</b>  |           | <b>MCB 75</b>      |            |           |
|     | 125 | Coguar       | M17          | 99-01 | <b>MCB 557</b>      | <b>SRM</b> |           |                    |            |           |
|     | 125 | DNA          | Grimeca M26  | 00-   | <b>MCB 664</b>      | <b>SRM</b> | <b>EC</b> | <b>MCB 696</b>     | <b>EC</b>  | <b>SR</b> |
|     | 125 | DNA          | Hengtong     | 01-   | <b>MCB 744</b>      | <b>SRM</b> | <b>EC</b> | <b>MCB 696</b>     | <b>EC</b>  | <b>SR</b> |
|     | 125 | Stalker      |              | 97-   | <b>MCB 674</b>      | <b>EC</b>  | <b>SR</b> | <b>MCB 695</b>     | <b>EC</b>  | <b>SR</b> |
|     | 125 | Typhoon      |              | 93-95 | <b>MCB 674</b>      | <b>EC</b>  | <b>SR</b> | <b>MCS 991</b>     |            |           |
|     | 125 | Typhoon      | M02          | 96-   | <b>MCB 688</b>      | <b>EC</b>  | <b>SR</b> | <b>MCS 984</b>     |            |           |
|     | 125 | Nexus i. e.  |              | 07-   | <b>MCB 744</b>      | <b>SRM</b> | <b>EC</b> | <b>MCB 744</b>     | <b>SRM</b> | <b>EC</b> |
| CX  | 125 |              |              | 91    | <b>MCB 572</b>      |            |           | <b>MCB 75</b>      |            |           |
| FX  | 125 | Runner       | M07          | 97-98 | <b>MCB 629</b>      |            |           | <b>MCS 994</b>     |            |           |
| FX  | 125 | Runner SP    | Grimeca M07  | 99-03 | <b>MCB 664</b>      | <b>SRM</b> | <b>EC</b> | <b>MCB 827 SRM</b> |            |           |
| FX  | 125 | Runner SP    | Hengtong M07 | 99-03 | <b>MCB 744</b>      | <b>SRM</b> | <b>EC</b> | <b>MCB 827 SRM</b> |            |           |
| RC  | 125 | Top Rally    |              | 90-   | <b>MCB 579</b>      | <b>SI</b>  |           | <b>MCB 539</b>     | <b>SI</b>  |           |
| SC  | 125 |              |              | 06-   | <b>MCB 780</b>      |            |           | <b>MCB 535</b>     | <b>EC</b>  |           |
| ST  | 125 | Runner       |              | 08-   | <b>MCB 744</b>      | <b>SRM</b> | <b>EC</b> | <b>MCB 727 SRM</b> |            |           |
| ST  | 125 | Runner       |              | 12-   | <b>MCB 744</b>      | <b>SRM</b> | <b>EC</b> | <b>MCB 827 SRM</b> |            |           |
| VX  | 125 | Runner       | Grimeca M24  | 01-   | <b>MCB 664</b>      | <b>SRM</b> | <b>EC</b> | <b>MCB 727 SRM</b> |            |           |
| VX  | 125 | Runner       | Hengtong M27 | 01-04 | <b>MCB 744</b>      | <b>SRM</b> | <b>EC</b> | <b>MCB 727 SRM</b> |            |           |
|     | 180 | DNA          | M26          | 00-   | <b>MCB 664</b>      | <b>SRM</b> | <b>EC</b> | <b>MCB 696</b>     | <b>EC</b>  | <b>SR</b> |
|     | 180 | Stalker      |              | 97-   | <b>MCB 674</b>      | <b>EC</b>  | <b>SR</b> | <b>MCB 827 SRM</b> |            |           |
| FXR | 180 | Runner       | M08          | 97-99 | <b>MCB 629</b>      |            |           | <b>MCS 994</b>     |            |           |
| FXR | 180 | Runner SP    | Grimeca M08  | 00-   | <b>MCB 664</b>      | <b>SRM</b> | <b>EC</b> | <b>MCB 827 SRM</b> |            |           |
| FXR | 180 | Runner SP    | Hengtong M08 | 00-   | <b>MCB 744</b>      | <b>SRM</b> | <b>EC</b> | <b>MCB 827 SRM</b> |            |           |
| VX  | 180 | Runner 4 T   | Hengtong M24 | 01-   | <b>MCB 744</b>      | <b>SRM</b> | <b>EC</b> | <b>MCB 727 SRM</b> |            |           |
| VX  | 180 | Runner 4T    | Grimeca M24  | 01-   | <b>MCB 664</b>      | <b>SRM</b> | <b>EC</b> | <b>MCB 727 SRM</b> |            |           |
|     | 200 | Stalker      |              | 97-   | <b>MCB 674</b>      | <b>EC</b>  |           | <b>MCB 827 SRM</b> |            |           |
| FX  | 200 | Runner       |              | 97-00 | <b>MCB 629</b>      |            |           | <b>MCS 994</b>     |            |           |
| FX  | 200 | Runner SP    |              | 98-   | <b>MCB 664 SRM</b>  | <b>EC</b>  |           | <b>MCB 827 SRM</b> |            |           |
| ST  | 200 | Runner       |              | 08-   | <b>MCB 744 SRM</b>  | <b>EC</b>  |           | <b>MCB 727 SRM</b> |            |           |
| VXR | 200 | Runner 4 T   | Grimeca M24  | 01-   | <b>MCB 664 SRM</b>  | <b>EC</b>  |           | <b>MCB 727 SRM</b> |            |           |
| VXR | 200 | Runner 4 T   | Hengtong M24 | 01-   | <b>MCB 744 SRM</b>  | <b>EC</b>  |           | <b>MCB 727 SRM</b> |            |           |
|     | 250 | Nexus i. e.  |              | 07-   | <b>MCB 744 SRM</b>  | <b>EC</b>  |           | <b>MCB 744 SRM</b> |            |           |
|     | 250 | Oregon Quad  |              | 07-   | <b>MCB 539 SI *</b> |            |           | <b>MCB 732 SI</b>  |            |           |
|     | 300 | Nexus i. e.  |              | 08-   | <b>MCB 744 SRM</b>  |            |           | <b>MCB 744 SRM</b> |            |           |
|     | 350 | Dakota, ER   |              | 89    | <b>MCB 557</b>      |            |           | <b>MCB 75</b>      |            |           |
|     | 500 | Nexus        |              | 04-   | <b>MCB 648 SRM*</b> |            |           | <b>MCB 700 SRM</b> |            |           |
| RC  | 500 | Fouco i.e.   |              | 07-   | <b>MCB 827 SRM</b>  |            |           | <b>MCB 744 SRM</b> |            |           |
| RC  | 500 | Fouco i.e.   | Parkingb.    |       |                     |            |           | <b>MCB 832 P</b>   |            |           |
|     | 600 | Nordwest     |              | 91-   | <b>MCB 572</b>      |            |           | <b>MCB 539</b>     | <b>SI</b>  |           |
| RC  | 600 | R, Top Rally |              | 88-   | <b>MCB 579</b>      | <b>SI</b>  |           | <b>MCB 539</b>     | <b>SI</b>  |           |
| XRT | 600 |              |              | 89    | <b>MCB 557</b>      |            |           | <b>MCB 75</b>      |            |           |
| GP  | 800 |              |              | 08-   | <b>MCB 648 SRM*</b> |            |           | <b>MCB 744 SRM</b> |            |           |
| GP  | 800 |              | Parkingb.    | 08-   |                     |            |           | <b>MCB 832 P</b>   |            |           |

## Harley-Davidson

|     |      |                    |     |       |                   |  |  |                   |  |  |
|-----|------|--------------------|-----|-------|-------------------|--|--|-------------------|--|--|
| XL  | 883  | R Sportster        | XL1 | 00-03 | <b>MCB 777 SV</b> |  |  | <b>MCB 778 SH</b> |  |  |
| XL  | 883  | C Sportster Custom | XL1 | 00-03 | <b>MCB 777 SV</b> |  |  | <b>MCB 778 SH</b> |  |  |
| XL  | 883  | C Sportster Custom |     | 04-   | <b>MCB 753 SV</b> |  |  | <b>MCB 754 SH</b> |  |  |
| XL  | 883  | L Sportster Low    |     | 06-   | <b>MCB 753 SV</b> |  |  | <b>MCB 754 SH</b> |  |  |
| XL  | 883  | L Super Low        |     | 11-   | <b>MCB 753 SV</b> |  |  | <b>MCB 754 SH</b> |  |  |
| XL  | 883  | R Roadster         |     | 10-   | <b>MCB 753 SV</b> |  |  | <b>MCB 754 SH</b> |  |  |
| XLH | 883  | Sportster          |     | 70-84 | <b>MCB 511</b>    |  |  |                   |  |  |
| XLH | 883  | Sportster          |     | 85-86 | <b>MCB 548</b>    |  |  | <b>MCB 527</b>    |  |  |
| XLH | 883  | Sportster          |     | 87-99 | <b>MCB 548</b>    |  |  | <b>MCB 583</b>    |  |  |
| XLH | 883  | Sportster          | XL1 | 00-03 | <b>MCB 777 SV</b> |  |  | <b>MCB 778 SH</b> |  |  |
| XLH | 883  | Sportster          |     | 04-   | <b>MCB 753 SV</b> |  |  | <b>MCB 754 SH</b> |  |  |
| XLH | 883  | Sportster Iron     |     | 09-   | <b>MCB 753 SV</b> |  |  | <b>MCB 754 SH</b> |  |  |
| XLH | 883  | Sportster Hugger   | XL1 | 00-03 | <b>MCB 777 SV</b> |  |  | <b>MCB 778 SH</b> |  |  |
| XLH | 1000 | Sportster          |     | 79-82 | <b>MCB 511 *</b>  |  |  | <b>MCB 518</b>    |  |  |
| XLH | 1000 | Sportster          |     | 83-85 | <b>MCB 511 *</b>  |  |  | <b>MCB 527</b>    |  |  |
| XLS | 1000 | Anniversary        |     | 82    | <b>MCB 511 *</b>  |  |  | <b>MCB 527</b>    |  |  |



→ HARLEY-DAVIDSON

|        |      |                      |           |       |                   |   |  |  |  |  |                   |
|--------|------|----------------------|-----------|-------|-------------------|---|--|--|--|--|-------------------|
| XLS    | 1000 | Roadster             |           | 79-82 | <b>MCB 511</b>    | * |  |  |  |  | <b>MCB 518</b>    |
| XLS    | 1000 | Sportster            |           | 83    | <b>MCB 511</b>    | * |  |  |  |  | <b>MCB 527</b>    |
| XLX    | 1000 | 61                   |           | 83    | <b>MCB 511</b>    | * |  |  |  |  | <b>MCB 527</b>    |
| XR     | 1000 |                      |           | 85    | <b>MCB 511</b>    | * |  |  |  |  | <b>MCB 527</b>    |
| XLH    | 1100 |                      |           | 87-88 | <b>MCB 548</b>    |   |  |  |  |  | <b>MCB 583</b>    |
| XLH    | 1100 | Sportster            |           | 85-86 | <b>MCB 548</b>    |   |  |  |  |  | <b>MCB 527</b>    |
| XLX    | 1100 |                      |           | 86-   | <b>MCB 548</b>    |   |  |  |  |  | <b>MCB 527</b>    |
| VRSCA  | 1130 | V-Rod                | VR1       | 02-05 | <b>MCB 777 SV</b> |   |  |  |  |  | <b>MCB 778 SH</b> |
| VRSCA  | 1130 | V-Rod                |           | 06-   | <b>MCB 781 SV</b> |   |  |  |  |  | <b>MCB 781 SH</b> |
| VRSCB  | 1130 | V-Rod                | VR1       | 04-   | <b>MCB 777 SV</b> |   |  |  |  |  | <b>MCB 778 SH</b> |
| VRSCD  | 1130 | Night Rod            |           | 06-   | <b>MCB 781 SV</b> |   |  |  |  |  | <b>MCB 781 SH</b> |
| VRSCDX | 1130 | Night Rod Special    |           | 07-   | <b>MCB 781 SV</b> |   |  |  |  |  | <b>MCB 781 SH</b> |
| VRSCR  | 1130 | Street Rod           |           | 06-   | <b>MCB 781 SV</b> |   |  |  |  |  | <b>MCB 781 SH</b> |
| FL     | 1200 | FLH Police           |           | 75-79 | <b>MCB 97</b>     |   |  |  |  |  | <b>MCB 97</b>     |
| FLH    | 1200 | Anniversary          |           | 78    | <b>MCB 97</b>     |   |  |  |  |  | <b>MCB 97</b>     |
| FLH    | 1200 | Touring              |           | 77-78 | <b>MCB 97</b>     |   |  |  |  |  | <b>MCB 97</b>     |
| FLHS   | 1200 |                      |           | 77-80 | <b>MCB 97</b>     |   |  |  |  |  | <b>MCB 97</b>     |
| FX     | 1200 |                      |           | 74-80 | <b>MCB 511</b>    |   |  |  |  |  | <b>MCB 97</b>     |
| FXE    | 1200 |                      |           | 74-80 | <b>MCB 511</b>    |   |  |  |  |  | <b>MCB 97</b>     |
| FXS    | 1200 |                      |           | 78-79 | <b>MCB 511</b>    |   |  |  |  |  | <b>MCB 97</b>     |
| XL     | 1200 | N Nightster          |           | 07-   | <b>MCB 753 SV</b> |   |  |  |  |  | <b>MCB 754 SH</b> |
| XL     | 1200 | Sportster Custom     | XL1       | 00-03 | <b>MCB 777 SV</b> |   |  |  |  |  | <b>MCB 778 SH</b> |
| XL     | 1200 | C Sportster Custom   |           | 04-   | <b>MCB 753 SV</b> |   |  |  |  |  | <b>MCB 754 SH</b> |
| XL     | 1200 | R Sportster Roadster |           | 04-   | <b>MCB 753 SV</b> |   |  |  |  |  | <b>MCB 754 SH</b> |
| XL     | 1200 | Sportster Sport      | XL1       | 00-03 | <b>MCB 777 SV</b> |   |  |  |  |  | <b>MCB 778 SH</b> |
| XLH    | 1200 | Sportster            |           | 93-99 | <b>MCB 548</b>    |   |  |  |  |  | <b>MCB 583</b>    |
| XLH    | 1200 | Sportster            | XL1       | 00-03 | <b>MCB 777 SV</b> | * |  |  |  |  | <b>MCB 778 SH</b> |
| XR     | 1200 | X                    |           | 08-   | <b>MCB 819 SV</b> | * |  |  |  |  | <b>MCB 754 SH</b> |
| VRSCX  | 1250 | V-Rod                |           | 07-   | <b>MCB 781 SV</b> |   |  |  |  |  | <b>MCB 781 SH</b> |
| VRSCAW | 1250 | V-Rod                |           | 08-   | <b>MCB 781 SV</b> |   |  |  |  |  | <b>MCB 781 SH</b> |
| VRSCDX | 1250 | Night Rod Special    |           | 08-   | <b>MCB 781 SV</b> |   |  |  |  |  | <b>MCB 781 SH</b> |
| VRSCF  | 1250 | V-Rod Muscle         |           | 09-   | <b>MCB 781 SV</b> |   |  |  |  |  | <b>MCB 781 SH</b> |
| FLH    | 1340 | 80                   |           | 78-80 | <b>MCB 97</b>     |   |  |  |  |  | <b>MCB 97</b>     |
| FLH    | 1340 | 80                   |           | 81    | <b>MCB 97</b>     |   |  |  |  |  | <b>MCB 528</b>    |
| FLH    | 1340 | Classic              |           | 82-   | <b>MCB 518</b>    |   |  |  |  |  | <b>MCB 528</b>    |
| FLH    | 1340 | Electra Glide        |           | 82-83 | <b>MCB 518</b>    | * |  |  |  |  | <b>MCB 97</b>     |
| FLH    | 1340 | Heritage             |           | 81    | <b>MCB 518</b>    | * |  |  |  |  | <b>MCB 528</b>    |
| FLHS   | 1340 | Electra Glide        |           | 90    | <b>MCB 548</b>    | * |  |  |  |  | <b>MCB 580</b>    |
| FLHT   | 1340 | Electra Glide        |           | 85-86 | <b>MCB 548</b>    | * |  |  |  |  | <b>MCB 527</b>    |
| FLHT   | 1340 | Electra Glide C      |           | 87-   | <b>MCB 548</b>    | * |  |  |  |  | <b>MCB 583</b>    |
| FLHTC  | 1340 | Electra Glide C      |           | 85-86 | <b>MCB 548</b>    | * |  |  |  |  | <b>MCB 527</b>    |
| FLHTC  | 1340 | Electra Glide C      |           | 90    | <b>MCB 548</b>    | * |  |  |  |  | <b>MCB 580</b>    |
| FLHTC  | 1340 | Electra Glide C      | Road King | 98-   | <b>MCB 548</b>    | * |  |  |  |  | <b>MCB 580</b>    |
| FLHTC  | 1340 | Ultra Classic        |           | 90    | <b>MCB 548</b>    | * |  |  |  |  | <b>MCB 580</b>    |
| FLSFT  | 1340 | Fat Boy              |           | 90    | <b>MCB 548</b>    |   |  |  |  |  | <b>MCB 583</b>    |
| FLST   | 1340 | Heritage Softail     |           | 86-   | <b>MCB 548</b>    |   |  |  |  |  | <b>MCB 580</b>    |
| FLSTC  | 1340 | Heritage S.Classic   |           | 90    | <b>MCB 548</b>    |   |  |  |  |  | <b>MCB 583</b>    |
| FLT    | 1340 | 80                   |           | 80-81 | <b>MCB 518</b>    | * |  |  |  |  | <b>MCB 528</b>    |
| FLT    | 1340 |                      |           | 84-85 | <b>MCB 548</b>    |   |  |  |  |  | <b>MCB 528</b>    |
| FLT/H  | 1340 | Series               |           | 86-87 | <b>MCB 548</b>    | * |  |  |  |  | <b>MCB 580</b>    |
| FLT    | 1340 | Series               |           | 88    | <b>MCB 548</b>    | * |  |  |  |  | <b>MCB 580</b>    |
| FLT    | 1340 | 80 Classic           |           | 81    | <b>MCB 518</b>    | * |  |  |  |  | <b>MCB 528</b>    |
| FLT    | 1340 | Classic              |           | 82-83 | <b>MCB 518</b>    | * |  |  |  |  | <b>MCB 528</b>    |
| FLT    | 1340 | Tour Glide           |           | 82    | <b>MCB 518</b>    | * |  |  |  |  | <b>MCB 528</b>    |
| FLTC   | 1340 | Tour Glide Class     |           | 85-86 | <b>MCB 548</b>    |   |  |  |  |  | <b>MCB 527</b>    |
| FLTC   | 1340 | Tour Glide Class     |           | 90    | <b>MCB 548</b>    | * |  |  |  |  | <b>MCB 580</b>    |
| FLTH   | 1340 | Tour Glide           |           | 84    | <b>MCB 511</b>    | * |  |  |  |  | <b>MCB 528</b>    |
| FXB    | 1340 | 80                   |           | 80-81 | <b>MCB 511</b>    |   |  |  |  |  | <b>MCB 97</b>     |
| FXB    | 1340 | Sturgis              |           | 82    | <b>MCB 511</b>    | * |  |  |  |  | <b>MCB 97</b>     |
| FXDB   | 1340 | Sturgis              |           | 91-   | <b>MCB 548</b>    |   |  |  |  |  | <b>MCB 583</b>    |
| FXDB   | 1340 | Dyna Glide           |           | 91-   | <b>MCB 548</b>    | * |  |  |  |  | <b>MCB 583</b>    |
| FXDL   | 1340 | Dyna Low Rider       |           | 93    | <b>MCB 548</b>    |   |  |  |  |  | <b>MCB 580</b>    |
| FXDWG  | 1340 | Dyna Wide Glide      |           | 93    | <b>MCB 548</b>    |   |  |  |  |  | <b>MCB 583</b>    |
| FXE    | 1340 | 80                   |           | 78-91 | <b>MCB 511</b>    |   |  |  |  |  | <b>MCB 97</b>     |
| FXE    | 1340 |                      |           | 82    | <b>MCB 511</b>    |   |  |  |  |  | <b>MCB 583</b>    |
| FXE    | 1340 |                      |           | 85-86 | <b>MCB 548</b>    |   |  |  |  |  | <b>MCB 527</b>    |
| FXE    | 1340 | Super Glide          |           | 83    | <b>MCB 511</b>    | * |  |  |  |  | <b>MCB 97</b>     |
| FXEF   | 1340 | 80 Fat Boy           |           | 79-81 | <b>MCB 511</b>    |   |  |  |  |  | <b>MCB 97</b>     |
| FXLR   | 1340 | Low Rider Custom     |           | 87-88 | <b>MCB 548</b>    |   |  |  |  |  | <b>MCB 583</b>    |





→ HARLEY-DAVIDSON

|          |      |                             |     |       |                   |   |                   |
|----------|------|-----------------------------|-----|-------|-------------------|---|-------------------|
| FXLR     | 1340 | Low Rider Custom            |     | 93    | <b>MCB 548</b>    |   | <b>MCB 583</b>    |
| FXR      | 1340 |                             |     | 78-81 | <b>MCB 511</b>    |   | <b>MCB 97</b>     |
| FXR      | 1340 |                             |     | 87-88 | <b>MCB 548</b>    |   | <b>MCB 583</b>    |
| FXR      | 1340 | Super Glide                 |     | 85-86 | <b>MCB 548</b>    |   | <b>MCB 527</b>    |
| FXR      | 1340 | Super Glide                 |     | 90    | <b>MCB 548</b>    |   | <b>MCB 583</b>    |
| FXRD     | 1340 | Sport Glide GTE             |     | 85-86 | <b>MCB 548</b>    | * | <b>MCB 527</b>    |
| FXRS     | 1340 | Low Glide                   |     | 82    | <b>MCB 511</b>    | * | <b>MCB 527</b>    |
| FXRS     | 1340 | Low Glide                   |     | 85-86 | <b>MCB 548</b>    | * | <b>MCB 527</b>    |
| FXRS     | 1340 | Low Rider Conv.             |     | 90    | <b>MCB 548</b>    | * | <b>MCB 583</b>    |
| FXRS     | 1340 | Low Rider Sport             |     | 87-   | <b>MCB 548</b>    | * | <b>MCB 583</b>    |
| FXRS     | 1340 | Super Glide II              |     | 82-83 | <b>MCB 511</b>    | * | <b>MCB 527</b>    |
| FXRT     | 1340 | Sport Glide                 |     | 85-86 | <b>MCB 548</b>    | * | <b>MCB 527</b>    |
| FXRT     | 1340 | Sport Glide                 |     | 90    | <b>MCB 548</b>    | * | <b>MCB 583</b>    |
| FXS      | 1340 | 80                          |     | 79-81 | <b>MCB 511</b>    |   | <b>MCB 97</b>     |
| FXS      | 1340 | Low Rider                   |     | 82    | <b>MCB 511</b>    | * | <b>MCB 97</b>     |
| FXSB     | 1340 | Low Rider                   |     | 83    | <b>MCB 511</b>    | * | <b>MCB 527</b>    |
| FXST     | 1340 | Softail                     |     | 84-86 | <b>MCB 548</b>    | * | <b>MCB 527</b>    |
| FXSTC    | 1340 | Softail Custom              |     | 85-86 | <b>MCB 548</b>    |   | <b>MCB 527</b>    |
| FXSTC    | 1340 | Softail Custom              |     | 88-   | <b>MCB 548</b>    |   | <b>MCB 583</b>    |
| FXSTS    | 1340 | Springer Softail            |     | 90    | <b>MCB 548</b>    |   | <b>MCB 583</b>    |
| FXWG     | 1340 | 80                          |     | 80-81 | <b>MCB 511</b>    |   | <b>MCB 97</b>     |
| FXWG     | 1340 |                             |     | 87-88 | <b>MCB 548</b>    |   | <b>MCB 583</b>    |
| FXWG     | 1340 | Wide Glide                  |     | 82    | <b>MCB 511</b>    | * | <b>MCB 97</b>     |
| FXWG     | 1340 | Wide Glide                  |     | 83    | <b>MCB 511</b>    | * | <b>MCB 527</b>    |
| FXWG     | 1340 | Wide Glide                  |     | 85-86 | <b>MCB 548</b>    |   | <b>MCB 527</b>    |
| FXDS     | 1450 | Dyna Convertible            | FD1 | 00-06 | <b>MCB 777 SV</b> | * | <b>MCB 778 SH</b> |
| FXDL     | 1450 | Dyna Low Rider              | FD1 | 00-06 | <b>MCB 777 SV</b> | * | <b>MCB 778 SH</b> |
| FXD      | 1450 | Dyna Super Glide            | FD1 | 00-03 | <b>MCB 777 SV</b> |   | <b>MCB 778 SH</b> |
| FXDI     | 1450 | Dyna Super Glide            |     | 04-06 | <b>MCB 777 SV</b> |   | <b>MCB 778 SH</b> |
| FXDCI    | 1450 | Dyna Super Glide Custom     |     | 05-06 | <b>MCB 777 SV</b> |   | <b>MCB 778 SH</b> |
| FXDX     | 1450 | Dyna Super Glide Sport      | FD1 | 00-04 | <b>MCB 777 SV</b> | * | <b>MCB 778 SH</b> |
| FXDXI    | 1450 | Dyna Super Glide Sport      | FD1 | 05-06 | <b>MCB 777 SV</b> | * | <b>MCB 778 SH</b> |
| FXDXT    | 1450 | Dyna Super Glide T-sport    | FD1 | 00-03 | <b>MCB 777 SV</b> | * | <b>MCB 778 SH</b> |
| FXDWG    | 1450 | Dyna Wide Glide             | FD1 | 00-06 | <b>MCB 777 SV</b> |   | <b>MCB 778 SH</b> |
| FLHTC/I  | 1450 | Electra Glide Classic       | FL1 | 00-06 | <b>MCB 777 SV</b> | * | <b>MCB 778 SH</b> |
| FLHT/I   | 1450 | Electra Glide Standard      | FL1 | 00-06 | <b>MCB 777 SV</b> | * | <b>MCB 778 SH</b> |
| FLHTCUI  | 1450 | Ultra Classic Electra G.    | FL1 | 00-06 | <b>MCB 777 SV</b> | * | <b>MCB 778 SH</b> |
| FLSTF/I  | 1450 | Fat Boy                     | FS2 | 00-06 | <b>MCB 777 SV</b> |   | <b>MCB 778 SH</b> |
| FLSTI    | 1450 | Heritage Softail Classic    | FS2 | 00-05 | <b>MCB 777 SV</b> |   | <b>MCB 778 SH</b> |
| FLSTI    | 1450 | Heritage Softail Classic    | FS2 | 06    | <b>MCB 777 SV</b> |   | <b>MCB 799 SH</b> |
| FLSTS/I  | 1450 | Heritage Springer           | FS2 | 00-03 | <b>MCB 548</b>    |   | <b>MCB 778 SH</b> |
| FXSTB/I  | 1450 | Night Train                 | FS2 | 00-05 | <b>MCB 777 SV</b> |   | <b>MCB 778 SH</b> |
| FXSTB/I  | 1450 | Night Train                 | FS2 | 06    | <b>MCB 777 SV</b> |   | <b>MCB 799 SH</b> |
| FLTR/I   | 1450 | Road Glide Classic          | FL1 | 00-06 | <b>MCB 777 SV</b> | * | <b>MCB 778 SH</b> |
| FLHR/I   | 1450 | Road King                   | FL1 | 00-06 | <b>MCB 777 SV</b> | * | <b>MCB 778 SH</b> |
| FLHRCI   | 1450 | Road King Classic           | FL1 | 00-06 | <b>MCB 777 SV</b> | * | <b>MCB 778 SH</b> |
| FLHRS/I  | 1450 | Road King Custom            |     | 00-06 | <b>MCB 777 SV</b> | * | <b>MCB 778 SH</b> |
| FLSTN/I  | 1450 | Softail Deluxe              |     | 05-06 | <b>MCB 777 SV</b> |   | <b>MCB 778 SH</b> |
| FXSTD/I  | 1450 | Softail Deuce               | FS2 | 00-05 | <b>MCB 777 SV</b> |   | <b>MCB 778 SH</b> |
| FXSTD/I  | 1450 | Softail Deuce               | FS2 | 06    | <b>MCB 777 SV</b> |   | <b>MCB 799 SH</b> |
| FXST/I   | 1450 | Softail Standard            | FS2 | 00-05 | <b>MCB 777 SV</b> |   | <b>MCB 778 SH</b> |
| FXST/I   | 1450 | Softail Standard            | FS2 | 06    | <b>MCB 777 SV</b> |   | <b>MCB 799 SH</b> |
| FXSTS/I  | 1450 | Softail Springer            | FS2 | 00-06 | <b>MCB 548</b>    |   | <b>MCB 778 SH</b> |
| FLSTSC/I | 1450 | Softail Springer Classic    |     | 05-06 | <b>MCB 548</b>    |   | <b>MCB 778 SH</b> |
| FLHXI    | 1450 | Street Glide                |     | 06    | <b>MCB 777 SV</b> |   | <b>MCB 778 SH</b> |
| FLSTC    | 1584 | Heritage Softail Classic    |     | 07    | <b>MCB 777 SV</b> |   | <b>MCB 799 SH</b> |
| FLSTC    | 1584 | Heritage Classic            |     | 08-   | <b>MCB 813 SV</b> |   | <b>MCB 814 SH</b> |
| FLHR     | 1584 | Road King                   |     | 07    | <b>MCB 777 SV</b> | * | <b>MCB 799 SH</b> |
| FLHR     | 1584 | Road King                   |     | 08-   | <b>MCB 781 SV</b> | * | <b>MCB 781 SH</b> |
| FLHRC    | 1584 | Road King Classic           |     | 07    | <b>MCB 777 SV</b> | * | <b>MCB 778 SH</b> |
| FLHRC    | 1584 | Road King Classic           |     | 08-   | <b>MCB 781 SV</b> | * | <b>MCB 781 SH</b> |
| FLHRS    | 1584 | Road King Custom            |     | 07-   | <b>MCB 777 SV</b> | * | <b>MCB 778 SH</b> |
| FLHRSE   | 1584 | Road King Screaming-Eagle   |     | 07-   | <b>MCB 777 SV</b> | * | <b>MCB 799 SH</b> |
| FLHT     | 1584 | Electra Glide Standard      |     | 07    | <b>MCB 777 SV</b> | * | <b>MCB 778 SH</b> |
| FLHT     | 1584 | Electra Glide Standard      |     | 08-   | <b>MCB 781 SV</b> | * | <b>MCB 781 SH</b> |
| FLHTC    | 1584 | Electra Glide Classic       |     | 08-   | <b>MCB 781 SV</b> | * | <b>MCB 781 SH</b> |
| FLHTCI   | 1584 | Ultra Electra Glide Classic |     | 07    | <b>MCB 777 SV</b> | * | <b>MCB 778 SH</b> |
| FLHTCU   | 1584 | Ultra Electra Glide Classic |     | 08-   | <b>MCB 781 SV</b> | * | <b>MCB 781 SH</b> |
| FLHTCUSE | 1584 | Ultra Electra Glide S-Eagle |     | 07-   | <b>MCB 777 SV</b> | * | <b>MCB 799 SH</b> |





## → HARLEY-DAVIDSON

|              |      |                               |     |                     |  |  |  |  |                   |
|--------------|------|-------------------------------|-----|---------------------|--|--|--|--|-------------------|
| FLHTX        | 1584 | Electra Glide Ultra Ltd       | 10- | <b>MCB 781 SV *</b> |  |  |  |  | <b>MCB 781 SH</b> |
| FLHX         | 1584 | Street Glide                  | 07  | <b>MCB 777 SV *</b> |  |  |  |  | <b>MCB 778 SH</b> |
| FLHX         | 1584 | Street Glide                  | 08- | <b>MCB 781 SV *</b> |  |  |  |  | <b>MCB 781 SH</b> |
| FLSTFB       | 1584 | Fat Boy Special               | 10- | <b>MCB 813 SV</b>   |  |  |  |  | <b>MCB 814 SH</b> |
| FLSTSB       | 1584 | Cross Bones                   | 08- | <b>MCB 548</b>      |  |  |  |  | <b>MCB 814 SH</b> |
| FLSTN        | 1584 | Softail Deluxe                | 07  | <b>MCB 777 SV</b>   |  |  |  |  | <b>MCB 799 SH</b> |
| FLSTN        | 1584 | Softail Deluxe                | 08- | <b>MCB 813 SV</b>   |  |  |  |  | <b>MCB 814 SH</b> |
| FLSTN        | 1584 | Softail Springer Classic      | 07  | <b>MCB 548</b>      |  |  |  |  | <b>MCB 799 SH</b> |
| FLTR         | 1584 | Road Glide                    | 08  | <b>MCB 781 SV *</b> |  |  |  |  | <b>MCB 781 SH</b> |
| FLTRX        | 1584 | Road Glide Custom             | 10- | <b>MCB 781 SV *</b> |  |  |  |  | <b>MCB 781 SH</b> |
| FXCW         | 1584 | Rocker                        | 08- | <b>MCB 813 SV</b>   |  |  |  |  | <b>MCB 814 SH</b> |
| FXCWC        | 1584 | Rocker C                      | 08- | <b>MCB 813 SV</b>   |  |  |  |  | <b>MCB 814 SH</b> |
| FXSTC        | 1584 | Softail Custom                | 08- | <b>MCB 813 SV</b>   |  |  |  |  | <b>MCB 814 SH</b> |
| FXDC         | 1584 | Dyna Super Glide Custom       | 07  | <b>MCB 777 SV</b>   |  |  |  |  | <b>MCB 778 SH</b> |
| FXDC         | 1584 | Dyna Glide Custom             | 08- | <b>MCB 813 SV</b>   |  |  |  |  | <b>MCB 814 SH</b> |
| FXDL         | 1584 | Dyna Low Rider                | 07  | <b>MCB 777 SV</b>   |  |  |  |  | <b>MCB 778 SH</b> |
| FXDL         | 1584 | Dyna Low Rider                | 08- | <b>MCB 813 SV</b>   |  |  |  |  | <b>MCB 814 SH</b> |
| FXDB         | 1584 | Dyna Street Bob               | 07  | <b>MCB 777 SV</b>   |  |  |  |  | <b>MCB 778 SH</b> |
| FXDB         | 1584 | Dyna Street Bob               | 08- | <b>MCB 813 SV</b>   |  |  |  |  | <b>MCB 814 SH</b> |
| FXDSE        | 1584 | Dyna Screaming Eagle          | 07- | <b>MCB 777 SV</b>   |  |  |  |  | <b>MCB 799 SH</b> |
| FXDWG        | 1584 | Dyna Wide Glide               | 07  | <b>MCB 777 SV</b>   |  |  |  |  | <b>MCB 778 SH</b> |
| FXDWG        | 1584 | Dyna Wide Glide               | 08- | <b>MCB 813 SV</b>   |  |  |  |  | <b>MCB 814 SH</b> |
| FLSTF        | 1584 | Fat Boy                       | 07  | <b>MCB 777 SV</b>   |  |  |  |  | <b>MCB 799 SH</b> |
| FLSTF        | 1584 | Fat Boy                       | 08- | <b>MCB 813 SV</b>   |  |  |  |  | <b>MCB 814 SH</b> |
| FXDF         | 1584 | Fat Bob                       | 08- | <b>MCB 813 SV</b>   |  |  |  |  | <b>MCB 814 SH</b> |
| FXSTBIC      | 1584 | Night Creeper                 | 07- | <b>MCB 777 SV</b>   |  |  |  |  | <b>MCB 799 SH</b> |
| FXSTC        | 1584 | Softail Custom                | 07  | <b>MCB 777 SV</b>   |  |  |  |  | <b>MCB 799 SH</b> |
| FXSTC        | 1584 | Softail Custom                | 08- | <b>MCB 813 SV</b>   |  |  |  |  | <b>MCB 814 SH</b> |
| FXST         | 1584 | Softail Standard              | 07  | <b>MCB 777 SV</b>   |  |  |  |  | <b>MCB 799 SH</b> |
| FXST         | 1584 | Softail Standard              | 08- | <b>MCB 813 SV</b>   |  |  |  |  | <b>MCB 814 SH</b> |
| FXSTSSE      | 1584 | Softail Springer S-Eagle      | 07- | <b>MCB 548</b>      |  |  |  |  | <b>MCB 799 SH</b> |
| FXSTB        | 1584 | Night Train                   | 07  | <b>MCB 777 SV</b>   |  |  |  |  | <b>MCB 799 SH</b> |
| FXSTB        | 1584 | Night Train                   | 08- | <b>MCB 813 SV</b>   |  |  |  |  | <b>MCB 814 SH</b> |
| FLHTCUTG1690 | 1690 | Tri Glide Ultra Classic Trike | 09- | <b>MCB 781 SV *</b> |  |  |  |  |                   |
| FLHXXX       | 1690 | Street Glide Trike            | 10- | <b>MCB 781 SV *</b> |  |  |  |  |                   |

## Hercules

|       |     |                         |         |       |                     |           |           |  |  |  |
|-------|-----|-------------------------|---------|-------|---------------------|-----------|-----------|--|--|--|
|       | 50  | Gipsy, Splinter, Reggae | FE053DE | 95-   | <b>MCB 674</b>      | <b>EC</b> | <b>SR</b> |  |  |  |
| KX    | 50  |                         |         |       | <b>MCB 508</b>      |           |           |  |  |  |
| KX-5  | 50  |                         |         | 87-   | <b>MCB 508 *</b>    |           |           |  |  |  |
| RS    | 50  |                         |         | 79-83 | <b>MCB 508 *</b>    |           |           |  |  |  |
| Supra | 50  | GP 4                    |         | 80-   | <b>MCB 517</b>      |           |           |  |  |  |
| Ultra | 50  |                         |         | 79-83 | <b>MCB 508 *</b>    |           |           |  |  |  |
| ZX-1  | 50  |                         |         | 86-   | <b>MCB 578</b>      |           |           |  |  |  |
| Ultra | 80  |                         |         | 81-83 | <b>MCB 508 *</b>    |           |           |  |  |  |
| RX-9  |     |                         |         | 82-83 | <b>MCB 508</b>      |           |           |  |  |  |
| RX-9  |     | Aircooled               |         |       | <b>MCB 508</b>      |           |           |  |  |  |
|       | 280 | ATV                     |         | 07-   | <b>MCB 760 SI *</b> |           |           |  |  |  |
|       | 300 | ATV Sport               |         | 07-   | <b>MCB 760 SI *</b> |           |           |  |  |  |

## Highland

|  |     |            |  |     |                   |            |           |           |                   |            |           |
|--|-----|------------|--|-----|-------------------|------------|-----------|-----------|-------------------|------------|-----------|
|  | 950 | V2 Motard  |  | 00- | <b>MCB 648 SI</b> | <b>RSI</b> | <b>SV</b> | <b>EC</b> | <b>MCB 672 SI</b> | <b>RSI</b> | <b>EC</b> |
|  | 950 | V2 Outback |  | 99- | <b>MCB 648 SI</b> | <b>RSI</b> | <b>SV</b> | <b>EC</b> | <b>MCB 672 SI</b> | <b>RSI</b> | <b>EC</b> |

## HM

|  |     |             |  |     |                   |            |           |  |                   |            |           |
|--|-----|-------------|--|-----|-------------------|------------|-----------|--|-------------------|------------|-----------|
|  | 125 | Supermotard |  | 00- | <b>MCB 669 SI</b> | <b>RSI</b> | <b>EC</b> |  | <b>MCB 575 SI</b> | <b>RSI</b> | <b>EC</b> |
|  | 250 | Supermotard |  | 00- | <b>MCB 669 SI</b> | <b>RSI</b> | <b>EC</b> |  | <b>MCB 575 SI</b> | <b>RSI</b> | <b>EC</b> |

## Honda

|     |    |          |       |       |                |           |  |  |                |  |  |
|-----|----|----------|-------|-------|----------------|-----------|--|--|----------------|--|--|
| CB  | 50 | J        | CB50J | 81-83 | <b>MCB 504</b> |           |  |  | <b>MCS 804</b> |  |  |
| CB  | 50 | J        | CB50J | -80   | <b>MCS 804</b> |           |  |  | <b>MCS 804</b> |  |  |
| CY  | 50 |          | CY50  | 80-83 | <b>MCS 800</b> |           |  |  | <b>MCS 800</b> |  |  |
| MB  | 50 | S        | AC01  | 80-   | <b>MCB 510</b> | <b>SI</b> |  |  | <b>MCS 804</b> |  |  |
| MBX | 50 | SD       | AC05  | 83-   | <b>MCB 525</b> |           |  |  | <b>MCS 804</b> |  |  |
| MT  | 50 | S        | AD01  | 80-   | <b>MCS 804</b> |           |  |  | <b>MCS 804</b> |  |  |
| MTX | 50 | S        | AD04  | 83-   | <b>MCS 804</b> |           |  |  | <b>MCS 804</b> |  |  |
| NB  | 50 | M (Aero) | AB07  | 84-   | <b>MCS 827</b> |           |  |  | <b>MCS 813</b> |  |  |
| NCZ | 50 |          | AB12  | 81    | <b>MCS 827</b> |           |  |  | <b>MCS 827</b> |  |  |
| NH  | 50 | Lead     | AF01  | 94-   | <b>MCB 665</b> | <b>EC</b> |  |  | <b>MCS 813</b> |  |  |
| NH  | 50 | Lead     | AF01  | 86-93 | <b>MCS 800</b> |           |  |  | <b>MCS 813</b> |  |  |





→ HONDA

|      |     |                        |       |       |                   |            |           |            |                             |
|------|-----|------------------------|-------|-------|-------------------|------------|-----------|------------|-----------------------------|
| NH   | 50  | Lead (Trommelbr.)      | AF01  | 94-   | <b>MCS 800</b>    |            |           |            | <b>MCS 813</b>              |
| NPS  | 50  | Zoomer                 |       | 01-   | <b>MCS 825</b>    |            |           |            | <b>MCS 825</b>              |
| NS-1 | 50  |                        |       | 91-   | <b>MCB 525</b>    |            |           |            |                             |
| NSR  | 50  |                        |       | 93-   | <b>MCB 615</b>    |            |           |            | <b>MCS 804</b>              |
| NSR  | 50  | Japan                  |       | 93-   | <b>MCB 525</b>    |            |           |            | <b>MCB 575</b>              |
| NSR  | 50  | S                      | AC08  | 89-92 | <b>MCB 525</b>    |            |           |            | <b>MCS 804</b>              |
| PA   | 50  | STD                    |       | 86-   | <b>MCS 828</b>    |            |           |            | <b>MCS 828</b>              |
| PK   | 50  | DX Wallaroo            | AB25  | 90-   | <b>MCS 825</b>    |            |           |            | <b>MCS 800</b>              |
| PX   | 50  | MS                     | AB06S | 84-   | <b>MCS 828</b>    |            |           |            |                             |
| QR   | 50  |                        |       | 93-   | <b>MCS 827</b>    |            |           |            | <b>MCS 825</b>              |
| SA   | 50  | Vision                 | AF29  | 88-94 | <b>MCS 825</b>    |            |           |            | <b>MCS 825</b>              |
| SA   | 50  | Vision                 | AF29  | 85-87 | <b>MCS 827</b>    |            |           |            |                             |
| SFX  | 50  | Sport                  | AF37  | 96-   | <b>MCB 674</b>    | <b>EC</b>  | <b>SR</b> |            | <b>MCS 800</b>              |
| SGX  | 50  | sky                    | AF43  | 97-   | <b>MCB 674</b>    | <b>EC</b>  | <b>SR</b> |            | <b>MCS 800</b>              |
| SGX  | 50  | sky DX                 | AF43  | 00-   | <b>MCB 674</b>    | <b>EC</b>  | <b>SR</b> |            | <b>MCS 800</b>              |
| SH   | 50  | Fifty                  | AF40  | 00-   | <b>MCB 674</b>    | <b>EC</b>  | <b>SR</b> |            | <b>MCS 800</b>              |
| SH   | 50  | Scoopy                 | AF40  | 96-   | <b>MCB 674</b>    | <b>EC</b>  | <b>SR</b> |            | <b>MCS 800</b>              |
| SJ   | 50  | Bali                   | AF32  | 93-99 | <b>MCB 673</b>    | <b>EC</b>  |           |            | <b>MCS 800</b>              |
| SRX  | 50  | Shadow                 | AF42  | 98-   | <b>MCB 575 SR</b> |            |           |            | <b>MCS 800</b>              |
| ST   | 50  |                        | AB23A | 96-   | <b>MCS 800</b>    |            |           |            | <b>MCS 800</b>              |
| ST   | 50  | Dax                    | ST50  | 78-87 | <b>MCS 800</b>    |            |           |            | <b>MCS 800</b>              |
| ST   | 50  | Dax                    | AB23  | 88-93 | <b>MCS 800</b>    |            |           |            | <b>MCS 800</b>              |
| SZX  | 50  | X8R-S, X8R-X           | AF49  | 98-   | <b>MCB 674</b>    | <b>EC</b>  | <b>SR</b> |            | <b>MCB 686</b>              |
| XL   | 50  |                        | XL50  | 79-   | <b>MCS 804</b>    |            |           |            | <b>MCS 804</b>              |
| XR   | 50  | R                      |       | 00-   | <b>MCS 827</b>    |            |           |            | <b>MCS 827</b>              |
| Z    | 50  | A                      | Z50A  | 71-79 | <b>MCS 800</b>    |            |           |            | <b>MCS 800</b>              |
| Z    | 50  | G                      | AB02  | 79-   | <b>MCS 800</b>    |            |           |            | <b>MCS 800</b>              |
| Z    | 50  | J                      | AE02  | 79-85 | <b>MCS 800</b>    |            |           |            | <b>MCS 800</b>              |
| Z    | 50  | R                      | AB02  | 79-80 | <b>MCS 827</b>    |            |           |            | <b>MCS 827</b>              |
| Z    | 50  | R                      | AB020 | 81-86 | <b>MCS 827</b>    |            |           |            | <b>MCS 827</b>              |
| ZB   | 50  | P                      | AB22  | 88-   | <b>MCB 589</b>    |            |           |            | <b>MCS 827</b>              |
| ST   | 70  | K3                     |       |       | <b>MCS 800</b>    |            |           |            | <b>MCS 800</b>              |
| CRM  | 75  |                        |       |       | <b>MCB 574 SI</b> | <b>RSI</b> |           |            | <b>MCB 575 SI</b> <b>EC</b> |
| CRM  | 75  | alternativ mit Trommel |       |       | <b>MCB 574 SI</b> | <b>RSI</b> |           |            | <b>MCS 804</b>              |
| NS-1 | 75  |                        |       | 92-   | <b>MCB 663</b>    |            |           |            | <b>MCB 575</b>              |
|      | 80  | Cityfly                |       | 99-   | <b>MCB 577</b>    |            |           |            |                             |
| CB   | 80  |                        | HC03  | 80-   | <b>MCS 804</b>    |            |           |            | <b>MCS 804</b>              |
| CR   | 80  | R                      |       | 86-91 | <b>MCB 554 SI</b> |            |           |            | <b>MCS 804</b>              |
| CR   | 80  | R                      | HE04  | 92-02 | <b>MCB 554 SI</b> |            |           | <b>RSI</b> | <b>EC</b>                   |
| CR   | 80  | R                      |       | 82    | <b>MCS 804</b>    |            |           |            | <b>MCS 825</b>              |
| CR   | 80  | R                      |       | 85    | <b>MCS 804</b>    |            |           |            | <b>MCS 804</b>              |
| CR   | 80  | R                      |       | 83-84 | <b>MCS 825</b>    |            |           |            | <b>MCS 825</b>              |
| CY   | 80  |                        | CY 80 | 79-   | <b>MCS 800</b>    |            |           |            | <b>MCS 800</b>              |
| MB   | 80  | S                      | HC01  | 80-   | <b>MCB 522</b>    |            |           |            | <b>MCS 804</b>              |
| MBX  | 80  | SW                     | HC04  | 83-   | <b>MCB 525</b>    |            |           |            | <b>MCS 804</b>              |
| MBX  | 80  | SW2                    | HC04  | 83-87 | <b>MCB 510</b>    | <b>SI</b>  |           |            | <b>MCS 804</b>              |
| MBX  | 80  | SWD                    | HC04  | 85-   | <b>MCB 510</b>    | <b>SI</b>  |           |            | <b>MCS 804</b>              |
| MBX  | 80  | SWD                    | HC04  | 83-84 | <b>MCB 525</b>    |            |           |            | <b>MCS 804</b>              |
| MBX  | 80  | SWZ                    | HC04  | 83-84 | <b>MCB 525</b>    |            |           |            | <b>MCS 804</b>              |
| MCX  | 80  | S                      | HC05  | 83-   | <b>MCB 522</b>    |            |           |            | <b>MCS 804</b>              |
| MT   | 80  | S                      | HD02  | 80-   | <b>MCS 804</b>    |            |           |            | <b>MCS 804</b>              |
| MTX  | 80  |                        | HD06  | 82-   | <b>MCS 804</b>    |            |           |            | <b>MCS 804</b>              |
| MTX  | 80  | R2                     | HD09  | 87-   | <b>MCB 534</b>    | <b>SI</b>  |           |            | <b>MCS 804</b>              |
| MTX  | 80  | RS                     | HD08  | 83-84 | <b>MCS 804</b>    |            |           |            | <b>MCS 804</b>              |
| NH   | 80  | Lead                   | HF01  | 85-   | <b>MCB 589</b>    |            |           |            | <b>MCS 813</b>              |
| NH   | 80  | Lead                   | HF01  | 83-84 | <b>MCS 800</b>    |            |           |            | <b>MCS 813</b>              |
| NSR  | 80  | R                      |       | 87-92 | <b>MCB 525</b>    |            |           |            | <b>MCB 575</b>              |
| XR   | 80  | R                      |       | 85-   | <b>MCS 855</b>    |            |           |            | <b>MCS 855</b>              |
| CR   | 85  | R                      |       | 03-   | <b>MCB 554 SI</b> |            |           |            | <b>MCB 575 SI</b>           |
| NH   | 90  | Yupy                   | AF01  | 90-94 | <b>MCB 575</b>    | <b>SR</b>  |           |            | <b>MCS 800</b>              |
| SRX  | 90  | Shadow                 | HF09A | 98-   | <b>MCB 575</b>    | <b>SR</b>  |           |            | <b>MCS 800</b>              |
| SCV  | 100 | Lead                   | JF11  | 00-   | <b>MCB 534</b>    | <b>SRM</b> |           |            | <b>MCS 835</b>              |
| SH   | 100 | Scoopy                 |       | 96-   | <b>MCB 674</b>    | <b>EC</b>  | <b>SR</b> |            | <b>MCS 800</b>              |
| SJ   | 100 | Bali                   | HF07A | 97-   | <b>MCB 673</b>    | <b>EC</b>  |           |            | <b>MCS 800</b>              |
| XR   | 100 | R                      |       | 85-   | <b>MCS 855</b>    |            |           |            | <b>MCS 855</b>              |
| SCV  | 110 | Lead                   |       | 08-   | <b>MCB 685</b>    | <b>SRM</b> |           |            | <b>MCS 835</b>              |
| ANF  | 125 | Innova                 | JC33  | 03-   | <b>MCB 759</b>    |            |           |            | <b>MCS 800</b>              |
| CA   | 125 | Rebel                  | JC26  | 97-03 | <b>MCB 557</b>    |            |           |            | <b>MCS 805</b>              |
| CA   | 125 | Rebel                  | JC24  | 95-96 | <b>MCB 689</b>    |            |           |            | <b>MCS 805</b>              |





→ HONDA

|     |                 |        |       |                    |            |            |  |                    |            |           |  |
|-----|-----------------|--------|-------|--------------------|------------|------------|--|--------------------|------------|-----------|--|
| CB  | 125 J           | CB125J | 75-81 | <b>MCB 504</b>     |            |            |  | <b>MCS 804</b>     |            |           |  |
| CB  | 125 K6          |        | 76-   | <b>MCB 29</b>      |            |            |  | <b>MCS 817</b>     |            |           |  |
| CB  | 125 T           | CB125T | 78-79 | <b>MCB 504</b>     |            |            |  | <b>MCS 817</b>     |            |           |  |
| CB  | 125 T2,T        | CB125T | 80-81 | <b>MCB 502</b>     |            |            |  | <b>MCS 817</b>     |            |           |  |
| CB  | 125 TD          | JC06   | 82-   | <b>MCB 512</b>     |            |            |  | <b>MCS 817</b>     |            |           |  |
| CBF | 125             |        | 09-   | <b>MCB 759</b>     |            |            |  |                    |            |           |  |
| CBR | 125 R           |        | 04-   | <b>MCB 759</b>     |            |            |  | <b>MCB 738</b>     |            |           |  |
| CG  | 125             |        | 04-   | <b>MCB 510</b>     |            |            |  |                    |            |           |  |
| CG  | 125             |        | 85-04 | <b>MCS 819</b>     |            |            |  | <b>MCS 800</b>     |            |           |  |
| CH  | 125 Spacy       | JF03A  | 94-   | <b>MCB 685</b>     | <b>SRM</b> |            |  | <b>MCS 819</b>     |            |           |  |
| CH  | 125 Spacy       | JF03A  | 83-84 | <b>MCS 800</b>     |            |            |  | <b>MCS 800</b>     |            |           |  |
| CLR | 125 Cityfly     | JD18B  | 99-   | <b>MCB 557</b>     | <b>SRM</b> |            |  | <b>MCS 804</b>     |            |           |  |
| CM  | 125 C           | JC05   | 82-   | <b>MCS 803</b>     |            |            |  | <b>MCS 817</b>     |            |           |  |
| CR  | 125 R           | JE01   | 82    |                    |            |            |  | <b>MCS 819</b>     |            |           |  |
| CR  | 125 R           | JE01   | 84-85 | <b>MCB 534</b>     | <b>SI</b>  |            |  |                    |            |           |  |
| CR  | 125 R           | JE01   | 86    | <b>MCB 534</b>     | <b>SI</b>  |            |  |                    |            |           |  |
| CR  | 125 R           | JE01   | 87-94 | <b>MCB 574 SI</b>  | <b>RSI</b> |            |  | <b>MCB 575 SI</b>  | <b>RSI</b> | <b>EC</b> |  |
| CR  | 125 R           | JE01   | 95-01 | <b>MCB 669 SI</b>  | <b>RSI</b> | <b>EC</b>  |  | <b>MCB 575 SI</b>  | <b>RSI</b> | <b>EC</b> |  |
| CR  | 125 R           |        | 02-   | <b>MCB 669 SI</b>  | <b>RSI</b> | <b>EC</b>  |  | <b>MCB 730 SI</b>  | <b>EC</b>  |           |  |
| CRE | 125             |        | 02-   | <b>MCB 669 SI</b>  | <b>RSI</b> | <b>EC</b>  |  | <b>MCB 730 SI</b>  | <b>EC</b>  |           |  |
| CRM | 125             |        | 90-   | <b>MCB 557</b>     |            |            |  | <b>MCB 623</b>     |            |           |  |
| FES | 125 Pantheon    | JF05   | 98-02 | <b>MCB 693 SRM</b> |            |            |  | <b>MCS 995</b>     |            |           |  |
| FES | 125 Pantheon    | JF12   | 03-   | <b>MCB 693 SRM</b> |            |            |  | <b>MCB 585 SRM</b> |            |           |  |
| FES | 125 S-Wing      |        | 07-   | <b>MCB 776 SRM</b> |            |            |  | <b>MCB 806 SRM</b> |            |           |  |
| FS  | 125 Sonic       |        | 03-   | <b>MCB 525</b>     |            |            |  |                    |            |           |  |
| MBX | 125 RW          |        | 84    | <b>MCB 551</b>     |            |            |  | <b>MCS 804</b>     |            |           |  |
| MTX | 125 RW          |        | 85-   | <b>MCB 534</b>     | <b>SI</b>  |            |  | <b>MCS 804</b>     |            |           |  |
| MTX | 125 RW          |        | 83-84 | <b>MCS 804</b>     |            |            |  | <b>MCS 804</b>     |            |           |  |
| NES | 125 @           | JF07   | 01-   | <b>MCB 534</b>     | <b>SRM</b> |            |  | <b>MCS 805</b>     |            |           |  |
| NH  | 125 D, Lead     | JF01   | 83-87 | <b>MCS 800</b>     |            |            |  | <b>MCS 800</b>     |            |           |  |
| NH  | 125 Lead        | JF01   | 86-87 | <b>MCB 589</b>     |            |            |  | <b>MCS 800</b>     |            |           |  |
| NHX | 110             |        | 10-   | <b>MCB 534</b>     | <b>SRM</b> |            |  |                    |            |           |  |
| NS  | 125 F           |        | 86-93 | <b>MCB 557</b>     |            |            |  | <b>MCS 800</b>     |            |           |  |
| NSR | 125 F,R         | JC22   | 90-   | <b>MCB 557</b>     |            |            |  | <b>MCB 623</b>     |            |           |  |
| NX  | 125 , Transcity | JD09   | 89    | <b>MCB 574</b>     | <b>SI</b>  | <b>RSI</b> |  | <b>MCS 800</b>     |            |           |  |
| NX  | 125             |        | 90-98 | <b>MCB 557</b>     |            |            |  | <b>MCS 800</b>     |            |           |  |
| PCX | 125             |        | 10-   | <b>MCB 833</b>     |            |            |  | <b>MCS 819</b>     |            |           |  |
| PS  | 125 i           |        | 07-   | <b>MCB 685</b>     | <b>SRM</b> |            |  | <b>MCS 835</b>     |            |           |  |
| RS  | 125 R           |        | 88-89 | <b>MCB 571</b>     | <b>SV</b>  |            |  | <b>MCB 589</b>     |            |           |  |
| RS  | 125 R           |        | 90    | <b>MCB 598</b>     | <b>SV</b>  | <b>SRQ</b> |  | <b>MCB 589</b>     |            |           |  |
| RS  | 125 R           |        | 91-94 | <b>MCB 598</b>     | <b>SV</b>  | <b>SRQ</b> |  | <b>MCB 585</b>     | <b>SH</b>  |           |  |
| RS  | 125 R           |        | 95-   | <b>MCB 540 SV</b>  | <b>SRQ</b> | <b>CRQ</b> |  | <b>MCB 589</b>     |            |           |  |
| SES | 125 Dylan       | JF10   | 02-   | <b>MCB 685</b>     | <b>SRM</b> |            |  | <b>MCS 835</b>     |            |           |  |
| SH  | 125 i           | JF09   | 02-08 | <b>MCB 534</b>     | <b>SRM</b> |            |  | <b>MCS 835</b>     |            |           |  |
| SH  | 125 i           |        | 09-   | <b>MCB 776</b>     | <b>SRM</b> |            |  | <b>MCB 806 SRM</b> |            |           |  |
| VT  | 125 C Shadow    | JC29   | 99-00 | <b>MCB 663</b>     |            |            |  | <b>MCS 805</b>     |            |           |  |
| VT  | 125 C Shadow    | JC31   | 01-   | <b>MCB 663</b>     |            |            |  | <b>MCS 805</b>     |            |           |  |
| XL  | 125             | XL125  | 73-74 | <b>MCS 800</b>     |            |            |  | <b>MCS 804</b>     |            |           |  |
| XL  | 125             | XL125  | 72    | <b>MCS 804</b>     |            |            |  | <b>MCS 804</b>     |            |           |  |
| XL  | 125 R           |        | 85-   | <b>MCB 534</b>     | <b>SI</b>  |            |  | <b>MCS 804</b>     |            |           |  |
| XL  | 125 S           |        | 79-82 | <b>MCS 804</b>     |            |            |  | <b>MCS 804</b>     |            |           |  |
| XLR | 125             | JD     | 93-   | <b>MCB 574</b>     | <b>SI</b>  | <b>RSI</b> |  | <b>MCB 575 SI</b>  | <b>RSI</b> | <b>EC</b> |  |
| XLR | 125 R           | JD     | 98-   | <b>MCB 574</b>     | <b>SI</b>  | <b>RSI</b> |  | <b>MCS 804</b>     |            |           |  |
| XLV | 125 Varadero    | JC32   | 01-   | <b>MCB 663</b>     |            |            |  | <b>MCB 738</b>     |            |           |  |
| XR  | 125 L           | JD19   | 03-   | <b>MCB 669</b>     | <b>SV</b>  | <b>EC</b>  |  | <b>MCS 804</b>     |            |           |  |
| CRF | 150 R           |        | 07-   | <b>MCB 561 SI</b>  | <b>EC</b>  |            |  | <b>MCB 730 SI</b>  | <b>RSI</b> | <b>EC</b> |  |
| FES | 150 Pantheon    | JF05   | 98-02 | <b>MCB 693 SRM</b> |            |            |  | <b>MCS 995</b>     |            |           |  |
| FES | 150 Pantheon    | KF06   | 03-   | <b>MCB 693 SRM</b> |            |            |  | <b>MCB 585 SRM</b> |            |           |  |
| NES | 150 @           | KF03   | 01-   | <b>MCB 534</b>     | <b>SRM</b> |            |  | <b>MCS 835</b>     |            |           |  |
| NSR | 150             |        | 02-   | <b>MCB 663</b>     | <b>SRM</b> | <b>EC</b>  |  | <b>MCB 582</b>     | <b>SRM</b> |           |  |
| PS  | 150 i           |        | 06-   | <b>MCB 685</b>     | <b>SRM</b> |            |  | <b>MCS 835</b>     |            |           |  |
| SES | 150 Dylan       | JF10   | 02-   | <b>MCB 685</b>     | <b>SRM</b> |            |  | <b>MCS 835</b>     |            |           |  |
| SH  | 150             | KF04   | 02-   | <b>MCB 534</b>     | <b>SRM</b> |            |  | <b>MCS 835</b>     |            |           |  |
| SH  | 150 i           |        | 09-   | <b>MCB 776 SRM</b> |            |            |  | <b>MCB 806 SRM</b> |            |           |  |
| CM  | 185 T           | CM185T | 79    | <b>MCS 803</b>     |            |            |  | <b>MCS 817</b>     |            |           |  |
| XL  | 185 S           | L185S  | 79-81 | <b>MCS 804</b>     |            |            |  | <b>MCS 804</b>     |            |           |  |
| CB  | 200 B           | CB200  | 81    | <b>MCB 29</b>      |            |            |  | <b>MCS 811</b>     |            |           |  |
| CM  | 200 T           | MC01   | 80-81 | <b>MCS 803</b>     |            |            |  | <b>MCS 817</b>     |            |           |  |
| MTX | 200 RW          | MD07   | 85-   | <b>MCB 534</b>     | <b>SI</b>  |            |  | <b>MCS 804</b>     |            |           |  |





→ **HONDA**

|     |                  |                |       |                     |            |            |           |  |                    |            |           |
|-----|------------------|----------------|-------|---------------------|------------|------------|-----------|--|--------------------|------------|-----------|
| MTX | 200 RW           | MD07           | 83-84 | <b>MCS 804</b>      |            |            |           |  | <b>MCS 804</b>     |            |           |
| XL  | 200 R            | MD06           | 83-   | <b>MCS 804</b>      |            |            |           |  | <b>MCS 804</b>     |            |           |
| XR  | 200              |                | 81-83 | <b>MCS 804</b>      |            |            |           |  | <b>MCS 804</b>     |            |           |
|     | 250 Jazz         |                | 00-   | <b>MCB 704 SRM</b>  |            |            |           |  |                    |            |           |
| ATC | 250 R            |                | 81    | <b>MCB 510 SI *</b> |            |            |           |  |                    |            |           |
| ATC | 250 R            |                | 85    | <b>MCB 534 SI *</b> |            |            |           |  | <b>MCB 538 SI</b>  |            |           |
| ATC | 250 R            |                | 85-86 | <b>MCB 534 SI *</b> |            |            |           |  | <b>MCB 534 SI</b>  |            |           |
| ATC | 250 R            |                | 82-84 | <b>MCB 554 SI *</b> |            |            |           |  | <b>MCB 538 SI</b>  |            |           |
| CB  | 250 G            | CB250          | 74-76 | <b>MCB 35</b>       |            |            |           |  | <b>MCS 802</b>     |            |           |
| CB  | 250 N ,ND        | CB250N         | 79-82 | <b>MCB 55</b>       |            |            |           |  | <b>MCS 807</b>     |            |           |
| CB  | 250 RS           | MC02           | 85-   | <b>MCB 534</b>      |            |            |           |  | <b>MCS 811</b>     |            |           |
| CB  | 250 RS           | MC02           | 80-84 | <b>MCB 55</b>       |            |            |           |  | <b>MCS 811</b>     |            |           |
| CB  | 250 T2           | CB250T         | 79-   | <b>MCB 55</b>       |            |            |           |  | <b>MCS 807</b>     |            |           |
| CB  | 250 Two-fifty    |                | 92-   | <b>MCB 598</b>      | <b>SV</b>  |            |           |  | <b>MCS 817</b>     |            |           |
| CBF | 250              |                | 04-   | <b>MCB 663</b>      |            |            |           |  | <b>MCS 835</b>     |            |           |
| CBR | 250 R, RR        | MC19/MC22      | 88-94 | <b>MCB 598</b>      | <b>SV</b>  | <b>SRQ</b> |           |  | <b>MCB 585</b>     | <b>SH</b>  |           |
| CBR | 250 R            |                | 11-   | <b>MCB 598</b>      | <b>SV</b>  | <b>SRQ</b> |           |  | <b>MCB 841</b>     | <b>SH</b>  |           |
| CBR | 250 R ABS        |                | 11-   | <b>MCB 776</b>      | <b>SV</b>  |            |           |  | <b>MCB 841</b>     | <b>SH</b>  |           |
| CH  | 250 Spacy        |                | 85-   | <b>MCB 534</b>      | <b>SRM</b> |            |           |  | <b>MCS 820</b>     |            |           |
| CJ  | 250 T            | CJ250T         | 77-78 | <b>MCB 35</b>       |            |            |           |  | <b>MCS 802</b>     |            |           |
| CL  | 250 S            | MD04           | 82-   | <b>MCS 803</b>      |            |            |           |  | <b>MCS 811</b>     |            |           |
| CM  | 250 C            | MC06           | 82-   | <b>MCS 803</b>      |            |            |           |  | <b>MCS 817</b>     |            |           |
| CMX | 250 Rebel        |                | 98-   | <b>MCB 673</b>      |            |            |           |  | <b>MCS 817</b>     |            |           |
| CMX | 250 Rebel        | MC13B          | 96-97 | <b>MCB 689</b>      |            |            |           |  | <b>MCS 817</b>     |            |           |
| CN  | 250              |                | 93-   | <b>MCB 544</b>      |            |            |           |  | <b>MCS 819</b>     |            |           |
| CN  | 250 Helix        | MF02           | 88-92 | <b>MCB 544</b>      |            |            |           |  | <b>MCS 831</b>     |            |           |
| CN  | 250 Helix-Fusion | MF02           | 92    | <b>MCB 544</b>      |            |            |           |  | <b>MCS 820</b>     |            |           |
| CR  | 250 R            | ME03           | 81-83 |                     |            |            |           |  | <b>MCS 819</b>     |            |           |
| CR  | 250 R            | ME03           | 84-85 | <b>MCB 534 SI</b>   |            |            |           |  |                    |            |           |
| CR  | 250 R            | ME03           | 86    | <b>MCB 534 SI</b>   |            |            |           |  |                    |            |           |
| CR  | 250 R            | ME03           | 87-94 | <b>MCB 574 SI</b>   | <b>RSI</b> |            |           |  | <b>MCB 575 SI</b>  | <b>RSI</b> | <b>EC</b> |
| CR  | 250 R            | ME03           | 95-01 | <b>MCB 669 SI</b>   | <b>RSI</b> | <b>EC</b>  |           |  | <b>MCB 575 SI</b>  | <b>RSI</b> | <b>EC</b> |
| CR  | 250 R            | ME03           | 02-04 | <b>MCB 669 SI</b>   | <b>RSI</b> | <b>EC</b>  |           |  | <b>MCB 730 SI</b>  | <b>RSI</b> | <b>EC</b> |
| CRF | 250 R            |                | 04-   | <b>MCB 669 SI</b>   | <b>RSI</b> | <b>EC</b>  |           |  | <b>MCB 730 SI</b>  | <b>RSI</b> | <b>EC</b> |
| CRE | 250              |                | 02-   | <b>MCB 669 SI</b>   | <b>RSI</b> | <b>EC</b>  |           |  | <b>MCB 730 SI</b>  | <b>RSI</b> | <b>EC</b> |
| CRM | 250 R            |                | 89-90 | <b>MCB 574 SI</b>   | <b>RSI</b> |            |           |  | <b>MCB 601</b>     |            |           |
| CRM | 250 R            |                | 91-   | <b>MCB 574 SI</b>   | <b>RSI</b> |            |           |  | <b>MCB 575 SI</b>  | <b>RSI</b> | <b>EC</b> |
| EX  | 250 Sporttrax    |                | 01-   | <b>MCB 561 SI *</b> | <b>EC</b>  |            |           |  |                    |            |           |
| EX  | 250 Sporttrax    |                | 01-   | <b>MCB 561 SI *</b> | <b>EC</b>  |            |           |  |                    |            |           |
| FES | 250 Foresight    | MF05           | 00-   | <b>MCB 693 SRM</b>  |            |            |           |  | <b>MCB 585 SRM</b> |            |           |
| FES | 250 Foresight    | Parkingb. MF05 | 00-   |                     |            |            |           |  | <b>MCS 995</b>     |            |           |
| FES | 250 Foresight    | MF04           | 98-99 | <b>MCB 693 SRM</b>  |            |            |           |  | <b>MCS 995</b>     |            |           |
| FES | 250 Foresight    | Parkingb. MF04 | 98-99 |                     |            |            |           |  | <b>MCS 995</b>     |            |           |
| NSR | 250 R            |                | 87    | <b>MCB 562 SV *</b> | <b>SRQ</b> |            |           |  | <b>MCB 512</b>     |            |           |
| NSR | 250 R            |                | 88-   | <b>MCB 593 SV *</b> | <b>SRQ</b> | <b>CRQ</b> |           |  | <b>MCB 585</b>     |            |           |
| NSS | 250 Forza        |                | 00-04 | <b>MCB 704 SRM</b>  |            |            |           |  | <b>MCB 634</b>     |            |           |
| NSS | 250 Forza, ABS   |                | 05-   | <b>MCB 776 SRM</b>  |            |            |           |  | <b>MCB 806 SRM</b> |            |           |
| NX  | 250              | MD21           | 88-90 | <b>MCB 574</b>      | <b>SI</b>  | <b>RSI</b> |           |  | <b>MCS 812</b>     |            |           |
| NX  | 250              | MD25           | 91-95 | <b>MCB 574</b>      | <b>SI</b>  | <b>RSI</b> |           |  | <b>MCS 812</b>     |            |           |
| PS  | 250 Ruckus       |                | 05-   | <b>MCB 776 SRM</b>  |            |            |           |  | <b>MCS 995</b>     |            |           |
| RS  | 250 R            |                | 91-   | <b>MCB 593 SV</b>   | <b>SRQ</b> | <b>CRQ</b> |           |  | <b>MCB 585</b>     | <b>SH</b>  |           |
| RS  | 250 R            |                | 90-93 | <b>MCB 598 SV *</b> | <b>SRQ</b> |            |           |  | <b>MCB 585</b>     | <b>SH</b>  |           |
| RS  | 250 R            |                | 94-   | <b>MCB 540 SV</b>   | <b>SRQ</b> | <b>CRQ</b> |           |  | <b>MCB 589</b>     |            |           |
| VTR | 250              | MC15           | 98-   | <b>MCB 677</b>      |            |            |           |  | <b>MCB 585</b>     | <b>SH</b>  |           |
| XL  | 250              | L250           | 73-74 |                     |            |            |           |  | <b>MCS 804</b>     |            |           |
| XL  | 250 R            | MD11           | 84-85 | <b>MCB 534</b>      | <b>SI</b>  |            |           |  | <b>MCS 804</b>     |            |           |
| XL  | 250 R            | L250S          | 90-   | <b>MCS 803</b>      |            |            |           |  | <b>MCS 805</b>     |            |           |
| XL  | 250 R            | MD03           | 82    | <b>MCS 819</b>      |            |            |           |  | <b>MCS 812</b>     |            |           |
| XL  | 250 RE           |                | 90-   | <b>MCB 574</b>      | <b>SI</b>  | <b>RSI</b> |           |  | <b>MCB 575</b>     | <b>SI</b>  |           |
| XL  | 250 S            | L250S          | 79-81 | <b>MCS 803</b>      |            |            |           |  | <b>MCS 812</b>     |            |           |
| XLR | 250 R            |                | 94-   | <b>MCB 669</b>      | <b>SV</b>  | <b>RSI</b> | <b>SI</b> |  | <b>MCB 575</b>     | <b>SI</b>  |           |
| XR  | 250 R            |                | 81-83 |                     |            |            |           |  | <b>MCS 812</b>     |            |           |
| XR  | 250 R            | ME06           | 84-87 | <b>MCB 534</b>      | <b>SI</b>  |            |           |  | <b>MCS 804</b>     |            |           |
| XR  | 250 R, RK        | ME06           | 88-93 | <b>MCB 574</b>      | <b>SI</b>  | <b>RSI</b> |           |  | <b>MCB 575</b>     | <b>SI</b>  | <b>EC</b> |
| XR  | 250 S, R         | ME06           | 94-   | <b>MCB 669</b>      | <b>SI</b>  | <b>RSI</b> | <b>EC</b> |  | <b>MCB 575</b>     | <b>SI</b>  | <b>EC</b> |
| CB  | 300              |                | 09-   | <b>MCB 663</b>      |            |            |           |  |                    |            |           |
| XR  | 300              |                | 10-   | <b>MCB 669</b>      | <b>SI</b>  | <b>RSI</b> |           |  | <b>MCB 575</b>     | <b>SI</b>  |           |
| EX  | 300 Sporttrax    |                | 01-   | <b>MCB 561 SI *</b> | <b>EC</b>  |            |           |  | <b>MCB 561 SI</b>  | <b>EC</b>  |           |
| SH  | 300 i, ABS       |                | 07-   | <b>MCB 776 SRM</b>  |            |            |           |  | <b>MCB 806 SRM</b> |            |           |







→ HONDA

|      |     |                     |              |       |                     |            |            |            |  |                    |            |           |  |
|------|-----|---------------------|--------------|-------|---------------------|------------|------------|------------|--|--------------------|------------|-----------|--|
| TRX  | 300 | EX                  |              | 93-05 | <b>MCB 561 SI *</b> | <b>EC</b>  |            |            |  | <b>MCB 561 SI</b>  | <b>EC</b>  |           |  |
| ATC  | 350 | X                   |              | 85    | <b>MCB 534 SI *</b> |            |            |            |  | <b>MCB 538 SI</b>  |            |           |  |
| ATC  | 350 | X                   |              | 86-   | <b>MCB 574 SI *</b> |            |            |            |  | <b>MCB 538 SI</b>  |            |           |  |
| CB   | 350 | F                   | CB350F       | 73-76 | <b>MCB 35</b>       |            |            |            |  | <b>MCS 802</b>     |            |           |  |
| TRX  | 350 | G-N                 |              | 86-93 | <b>MCS 823</b>      |            |            |            |  | <b>MCS 823</b>     |            |           |  |
| XL   | 350 | R                   | ND03         | 85-87 | <b>MCB 534</b>      | <b>SI</b>  |            |            |  | <b>MCS 812</b>     |            |           |  |
| XR   | 350 | R                   |              | 84-   | <b>MCB 534</b>      | <b>SI</b>  |            |            |  | <b>MCS 804</b>     |            |           |  |
| XR   | 350 | RD                  |              | 84    |                     |            |            |            |  | <b>MCS 804</b>     |            |           |  |
| CB   | 360 | G                   | CB360        | 73-76 | <b>MCB 35</b>       |            |            |            |  | <b>MCS 802</b>     |            |           |  |
| CJ   | 360 | T                   | CJ360T       | 76-78 | <b>MCB 35</b>       |            |            |            |  | <b>MCS 807</b>     |            |           |  |
| CB   | 400 | A                   | CB400N       | 77-81 | <b>MCB 55</b>       |            |            |            |  | <b>MCS 807</b>     |            |           |  |
| CB   | 400 | F                   | CB400F       | 75-77 | <b>MCB 35</b>       |            |            |            |  | <b>MCS 802</b>     |            |           |  |
| CB   | 400 | Four                | CB400F       | 81-   | <b>MCB 512 *</b>    |            |            |            |  | <b>MCS 807</b>     |            |           |  |
| CB   | 400 | Four                | NC36         | 97-98 | <b>MCB 598 *</b>    | <b>SV</b>  |            |            |  | <b>MCB 585</b>     | <b>SH</b>  |           |  |
| CB   | 400 | N                   | CB400N       | 82-   | <b>MCB 512 *</b>    |            |            |            |  | <b>MCS 807</b>     |            |           |  |
| CB   | 400 | N                   | CB400N       | 78-81 | <b>MCB 54 *</b>     |            |            |            |  | <b>MCS 807</b>     |            |           |  |
| CB   | 400 | Super Four S        |              | 97-   | <b>MCB 698 *</b>    |            |            |            |  | <b>MCB 585</b>     |            |           |  |
| CB   | 400 | Twin                | CB400T       | 82-   | <b>MCB 512</b>      |            |            |            |  | <b>MCS 807</b>     |            |           |  |
| CB   | 400 | Twin                | CB400T       | 77-81 | <b>MCB 55</b>       |            |            |            |  | <b>MCS 807</b>     |            |           |  |
| CB-1 | 400 | F                   | NC27         | 89-90 | <b>MCB 598 SV</b>   | <b>SV</b>  | <b>SRQ</b> |            |  | <b>MCB 585</b>     | <b>SH</b>  |           |  |
| CBR  | 400 | RR                  | NC29         | 89-   | <b>MCB 598 SV *</b> | <b>SV</b>  | <b>SRQ</b> |            |  | <b>MCB 585</b>     | <b>SH</b>  |           |  |
| CM   | 400 | T                   | NC01         | 82-   | <b>MCB 512</b>      |            |            |            |  | <b>MCS 807</b>     |            |           |  |
| CM   | 400 | T                   | NC01         | 79-81 | <b>MCB 55</b>       |            |            |            |  | <b>MCS 807</b>     |            |           |  |
| FJS  | 400 | Silver Wing         | NF01         | 06-   | <b>MCB 704 SRM</b>  |            |            |            |  | <b>MCB 764 SRM</b> |            |           |  |
| FJS  | 400 | Silver Wing         | Parkingb.    | 06-   |                     |            |            |            |  | <b>MCB 832 P</b>   |            |           |  |
| NSR  | 400 | R                   | NC19         | 85-   | <b>MCB 544 *</b>    |            |            |            |  | <b>MCB 512</b>     |            |           |  |
| SWT  | 400 | , C-ABS             |              | 09-   | <b>MCB 776 SRM</b>  |            |            |            |  | <b>MCB 631</b>     | <b>SH</b>  |           |  |
| SWT  | 400 | , C-ABS             | Parkingb.    | 09-   |                     |            |            |            |  | <b>MCB 832 P</b>   |            |           |  |
| TRX  | 400 | EX                  |              | 99-   | <b>MCB 561 SI *</b> | <b>EC</b>  |            |            |  | <b>MCB 561 SI</b>  | <b>EC</b>  |           |  |
| VFR  | 400 | R                   | NC24         | -88   | <b>MCB 562 *</b>    | <b>SV</b>  | <b>SRQ</b> |            |  | <b>MCB 585</b>     | <b>SH</b>  |           |  |
| VFR  | 400 | R                   | NC30         | 89-   | <b>MCB 593 *</b>    | <b>SV</b>  | <b>SRQ</b> | <b>CRQ</b> |  | <b>MCB 594</b>     |            |           |  |
| XR   | 400 | R                   |              | 96-   | <b>MCB 669</b>      | <b>SI</b>  | <b>RSI</b> | <b>EC</b>  |  | <b>MCB 575 SI</b>  | <b>RSI</b> | <b>EC</b> |  |
| XR   | 400 | Supermotard         |              | 00-   | <b>MCB 669</b>      | <b>SI</b>  | <b>RSI</b> | <b>EC</b>  |  | <b>MCB 575 SI</b>  | <b>RSI</b> | <b>EC</b> |  |
| TRX  | 420 | Fourtrax Rancher AT |              | 09-   | <b>MCB 561 SI *</b> | <b>EC</b>  |            |            |  | <b>MCB 769 SI</b>  |            |           |  |
| XR   | 440 | R                   |              | 00-   | <b>MCB 669 SI</b>   | <b>RSI</b> | <b>EC</b>  |            |  | <b>MCB 575 SI</b>  | <b>RSI</b> | <b>EC</b> |  |
| CB   | 450 |                     |              | 73-74 | <b>MCB 32</b>       |            |            |            |  | <b>MCS 809</b>     |            |           |  |
| CB   | 450 |                     |              | 75-77 | <b>MCB 35</b>       |            |            |            |  | <b>MCS 809</b>     |            |           |  |
| CB   | 450 | N                   | PC14         | 84-85 | <b>MCB 537</b>      |            |            |            |  | <b>MCS 807</b>     |            |           |  |
| CB   | 450 | N                   | PC14         | 86-   | <b>MCB 570</b>      |            |            |            |  | <b>MCS 807</b>     |            |           |  |
| CB   | 450 | S                   | PC17         | 86-89 | <b>MCB 562 *</b>    |            |            |            |  | <b>MCS 807</b>     |            |           |  |
| CRF  | 450 | R                   | PE05         | 02-08 | <b>MCB 669 SI</b>   | <b>RSI</b> | <b>EC</b>  |            |  | <b>MCB 730 SI</b>  | <b>RSI</b> | <b>EC</b> |  |
| CRF  | 450 | Efi                 |              | 09-   | <b>MCB 669 SI</b>   | <b>RSI</b> | <b>EC</b>  |            |  | <b>MCB 730 SI</b>  | <b>RSI</b> | <b>EC</b> |  |
| CRE  | 450 |                     | HM-Italy     |       | <b>MCB 669 SI</b>   | <b>RSI</b> | <b>EC</b>  |            |  | <b>MCB 730 SI</b>  | <b>RSI</b> | <b>EC</b> |  |
| CRM  | 450 |                     | 4 ☐ HM-Italy | 07-   | <b>MCB 794 SRQ</b>  | <b>RSI</b> |            |            |  | <b>MCB 730 SI</b>  | <b>RSI</b> | <b>EC</b> |  |
| EX   | 450 | Sporttrax           |              | 01-   | <b>MCB 561 SI *</b> | <b>EC</b>  |            |            |  | <b>MCB 561 SI</b>  | <b>EC</b>  |           |  |
| TRX  | 450 | R                   |              | 04-   | <b>MCB 669 *</b>    | <b>SI</b>  | <b>EC</b>  |            |  | <b>MCB 769 SI</b>  |            |           |  |
| CRE  | 490 | F                   | HM-Italy     | 07-   | <b>MCB 669 SI</b>   | <b>RSI</b> | <b>EC</b>  |            |  | <b>MCB 730 SI</b>  | <b>RSI</b> | <b>EC</b> |  |
| CB   | 500 |                     | CB500        | 70-74 | <b>MCB 35</b>       |            |            |            |  | <b>MCS 809</b>     |            |           |  |
| CB   | 500 |                     | PC26         | 94-96 | <b>MCB 598</b>      | <b>SV</b>  |            |            |  | <b>MCS 806</b>     |            |           |  |
| CB   | 500 | S                   | PC32         | 97-   | <b>MCB 671</b>      | <b>SV</b>  |            |            |  | <b>MCB 672</b>     | <b>SH</b>  |           |  |
| CB   | 500 | T                   |              | 75    | <b>MCB 35</b>       |            |            |            |  | <b>MCS 809</b>     |            |           |  |
| CBF  | 500 |                     | PC39         | 04-   | <b>MCB 677</b>      | <b>SV</b>  |            |            |  | <b>MCB 634</b>     | <b>SH</b>  |           |  |
| CBF  | 500 | ABS                 | PC39         | 04-   | <b>MCB 776 SV</b>   |            |            |            |  | <b>MCB 634</b>     | <b>SH</b>  |           |  |
| CR   | 500 | R                   | PE020        | 84-85 | <b>MCB 534 SI</b>   |            |            |            |  |                    |            |           |  |
| CR   | 500 | R                   | PE02         | 86    | <b>MCB 534 SI</b>   |            |            |            |  |                    |            |           |  |
| CR   | 500 | R                   | PE02         | 87-94 | <b>MCB 574 SI</b>   | <b>RSI</b> |            |            |  | <b>MCB 575 SI</b>  | <b>RSI</b> | <b>EC</b> |  |
| CR   | 500 | R                   | PE02         | 95-   | <b>MCB 669 SI</b>   | <b>RSI</b> | <b>EC</b>  |            |  | <b>MCB 575 SI</b>  | <b>RSI</b> | <b>EC</b> |  |
| CX   | 500 |                     | CX 500       | 79-81 | <b>MCB 54 *</b>     |            |            |            |  | <b>MCS 806</b>     |            |           |  |
| CX   | 500 | C                   | PC01         | 80-81 | <b>MCB 512 *</b>    |            |            |            |  | <b>MCS 806</b>     |            |           |  |
| CX   | 500 | E                   | PC06         | 82-   | <b>MCB 544</b>      |            |            |            |  | <b>MCB 544</b>     |            |           |  |
| CX   | 500 | TC                  | PC03         | 82-   | <b>MCB 512 *</b>    |            |            |            |  | <b>MCB 544</b>     |            |           |  |
| FT   | 500 | C                   | PC07         | 82-   | <b>MCB 512</b>      |            |            |            |  | <b>MCB 512</b>     |            |           |  |
| GB   | 500 | Clubmann            | PC16         | 88-   | <b>MCB 512</b>      |            |            |            |  | <b>MCS 821</b>     |            |           |  |
| GL   | 500 | D                   | PC02         | 81-85 | <b>MCB 512 *</b>    |            |            |            |  | <b>MCS 806</b>     |            |           |  |
| TRX  | 500 | Fourtrax            |              | 05-   | <b>MCB 823 SI *</b> |            |            |            |  | <b>MCS 806</b>     |            |           |  |
| VF   | 500 | F                   | PC12         | 84-86 | <b>MCB 544 *</b>    |            |            |            |  | <b>MCB 512</b>     |            |           |  |
| VF   | 500 | F2                  | PC12         | 84-86 | <b>MCB 544 *</b>    |            |            |            |  | <b>MCB 512</b>     |            |           |  |
| VT   | 500 | C                   | PC08         | 83-86 | <b>MCB 512</b>      |            |            |            |  | <b>MCS 807</b>     |            |           |  |
| VT   | 500 | E                   | PC11         | 83-   | <b>MCB 526</b>      |            |            |            |  | <b>MCS 807</b>     |            |           |  |





→ HONDA

|       |                      |           |       |                    |           |            |            |            |                    |           |           |
|-------|----------------------|-----------|-------|--------------------|-----------|------------|------------|------------|--------------------|-----------|-----------|
| XBR   | 500 S                | PC15      | 85-88 | <b>MCB 512</b>     |           |            |            |            | <b>MCS 821</b>     |           |           |
| XL    | 500 R                | PD02      | 82-   | <b>MCS 815</b>     |           |            |            |            | <b>MCS 805</b>     |           |           |
| XL    | 500 S                | PD01      | 79-80 | <b>MCS 810</b>     |           |            |            |            | <b>MCS 805</b>     |           |           |
| XL    | 500 S                | PD01      | 81    | <b>MCS 810</b>     |           |            |            |            | <b>MCS 811</b>     |           |           |
| XR    | 500 R                |           | 81-82 |                    |           |            |            |            | <b>MCS 805</b>     |           |           |
| XR    | 500 R                | PE03      | 83-84 | <b>MCB 534</b>     | <b>SI</b> |            |            |            | <b>MCS 805</b>     |           |           |
| CB    | 550 F1,F2,K3         | CB550K    | -78   | <b>MCB 35</b>      |           |            |            |            | <b>MCS 809</b>     |           |           |
| CBX   | 550 F,F2             |           | 82-   | <b>MCB 526</b>     | *         |            |            |            | <b>MCB 543</b>     |           |           |
| CB    | 600 Hornet           | PC34      | 98-01 | <b>MCB 598</b>     | *         | <b>SV</b>  | <b>SRQ</b> |            | <b>MCB 634</b>     | <b>SH</b> |           |
| CB    | 600 Hornet           | PC36      | 02-06 | <b>MCB 598</b>     | *         | <b>SV</b>  | <b>SRQ</b> |            | <b>MCB 634</b>     | <b>SH</b> |           |
| CB    | 600 Hornet           | PC41      | 07-   | <b>MCB 598</b>     | *         | <b>SV</b>  | <b>SRQ</b> |            | <b>MCB 784 SH</b>  |           |           |
| CB    | 600 Hornet ABS       | PC41      | 07-   | <b>MCB 776 SV</b>  | *         |            |            |            | <b>MCB 634</b>     | <b>SH</b> |           |
| CBF   | 600 N, S, ABS        | PC38      | 04-07 | <b>MCB 598</b>     | *         | <b>SV</b>  | <b>SRQ</b> |            | <b>MCB 634</b>     | <b>SH</b> |           |
| CBF   | 600 N, S, ABS        | PC43      | 08-   | <b>MCB 776 SV</b>  | *         |            |            |            | <b>MCB 634</b>     | <b>SH</b> |           |
| CBR   | 600 F                | PC19      | 87-88 | <b>MCB 562</b>     | *         | <b>SV</b>  | <b>SRQ</b> |            | <b>MCB 512</b>     |           |           |
| CBR   | 600 F                | PC23      | 89-90 | <b>MCB 562</b>     | *         | <b>SV</b>  | <b>SRQ</b> |            | <b>MCB 512</b>     |           |           |
| CBR   | 600 F                | PC25      | 91-92 | <b>MCB 562</b>     | *         | <b>SV</b>  | <b>SRQ</b> |            | <b>MCB 634</b>     | <b>SH</b> |           |
| CBR   | 600 F                | PC25      | 93-94 | <b>MCB 562</b>     | *         | <b>SV</b>  | <b>SRQ</b> |            | <b>MCB 634</b>     | <b>SH</b> |           |
| CBR   | 600 F                | PC31      | 95-98 | <b>MCB 598</b>     | *         | <b>SV</b>  | <b>SRQ</b> |            | <b>MCB 634</b>     | <b>SH</b> |           |
| CBR   | 600 F                | PC35      | 99-10 | <b>MCB 703 SV</b>  | *         | <b>SRQ</b> |            |            | <b>MCB 634</b>     | <b>SH</b> |           |
| CBR   | 600 F                |           | 11-   | <b>MCB 598 SV</b>  | *         | <b>SRQ</b> |            |            | <b>MCB 784 SH</b>  |           |           |
| CBR   | 600 F ABS            |           | 11-   | <b>MCB 776 SV</b>  |           |            |            |            | <b>MCB 784 SH</b>  |           |           |
| CBR   | 600 RR               | PC37      | 03-04 | <b>MCB 703 SV</b>  | *         | <b>SRQ</b> | <b>CRQ</b> |            | <b>MCB 634</b>     | <b>SH</b> |           |
| CBR   | 600 RR               | PC37      | 05-06 | <b>MCB 755 SV</b>  | *         | <b>SRQ</b> | <b>CRQ</b> | <b>SCR</b> | <b>MCB 634</b>     | <b>SH</b> |           |
| CBR   | 600 RR               | PC40      | 07-08 | <b>MCB 755 SV</b>  | *         | <b>SRQ</b> | <b>CRQ</b> | <b>SCR</b> | <b>MCB 784 SH</b>  |           |           |
| CBR   | 600 RR, ABS          | PC40      | 09-   | <b>MCB 755 SV</b>  | *         | <b>SRQ</b> | <b>CRQ</b> | <b>SCR</b> | <b>MCB 784 SH</b>  |           |           |
| FJS   | 600 Silver Wing, ABS | PF01      | 01-   | <b>MCB 704 SRM</b> |           |            |            |            | <b>MCB 764 SRM</b> |           |           |
| FJS   | 600 Silver Wing      | Parkingb. | 01-   |                    |           |            |            |            | <b>MCB 832 P</b>   |           |           |
| SW-T  | 600                  |           | 11-   | <b>MCB 776 SRM</b> |           |            |            |            | <b>MCB 764 SRM</b> |           |           |
| VT    | 600 C                | PC21      | 88    | <b>MCB 571</b>     |           |            |            |            | <b>MCS 806</b>     |           |           |
| VT    | 600 C                | PC21      | 94-01 | <b>MCB 598</b>     | <b>SV</b> |            |            |            | <b>MCS 806</b>     |           |           |
| VT    | 600 C                | PC21      | 89-93 | <b>MCB 624</b>     | <b>SV</b> |            |            |            | <b>MCS 806</b>     |           |           |
| XL    | 600 LM               | PD04      | 85-   | <b>MCB 512</b>     |           |            |            |            | <b>MCS 805</b>     |           |           |
| XL    | 600 R                | PD03      | 83-87 | <b>MCB 534</b>     | <b>SI</b> |            |            |            | <b>MCS 805</b>     |           |           |
| XL    | 600 RM               | PD04      | 86-   | <b>MCB 512</b>     |           |            |            |            | <b>MCS 805</b>     |           |           |
| XL    | 600 V Transalp       | PD06      | 87-90 | <b>MCB 512</b>     | <b>SV</b> |            |            |            | <b>MCS 805</b>     |           |           |
| XL    | 600 V Transalp       | PD06      | 91-93 | <b>MCB 624</b>     | <b>SV</b> |            |            |            | <b>MCB 585</b>     | <b>SH</b> |           |
| XL    | 600 V Transalp       | PD06      | 94-96 | <b>MCB 677</b>     | <b>SV</b> |            |            |            | <b>MCB 585</b>     | <b>SH</b> |           |
| XL    | 600 V Transalp       | PD10      | 97-01 | <b>MCB 669</b>     | *         | <b>SV</b>  | <b>EC</b>  |            | <b>MCB 585</b>     | <b>SH</b> |           |
| XR    | 600 R                | PE04      | 83-87 | <b>MCB 534</b>     | <b>SI</b> |            |            |            | <b>MCS 805</b>     |           |           |
| XR    | 600 R                | PE04      | 88-90 | <b>MCB 574</b>     | <b>SI</b> | <b>RSI</b> |            |            | <b>MCS 804</b>     |           |           |
| XR    | 600 R                | PE04      | 91-92 | <b>MCB 574</b>     | <b>SI</b> | <b>RSI</b> |            |            | <b>MCB 575</b>     | <b>SI</b> | <b>EC</b> |
| XR    | 600 R                | PE04      | 93-   | <b>MCB 574</b>     | <b>SI</b> | <b>RSI</b> |            |            | <b>MCB 575</b>     | <b>SI</b> | <b>EC</b> |
| CB    | 650                  | RC03      | 79-81 | <b>MCB 55</b>      | *         |            |            |            | <b>MCS 808</b>     |           |           |
| CB    | 650 C                | RC05      | 80-   | <b>MCB 55</b>      |           |            |            |            | <b>MCS 808</b>     |           |           |
| CB    | 650 SC               | RC08      | 83-   | <b>MCB 512</b>     | *         |            |            |            | <b>MCB 543</b>     |           |           |
| CBX   | 650 E                | RC13      | 83-   | <b>MCB 512</b>     | *         |            |            |            | <b>MCS 806</b>     |           |           |
| CX    | 650 C                | RC11      | 83-   | <b>MCB 512</b>     | *         |            |            |            | <b>MCS 806</b>     |           |           |
| CX    | 650 E                | RC12      | 83-   | <b>MCB 544</b>     | *         |            |            |            | <b>MCB 512</b>     |           |           |
| CX    | 650 Turbo            | RC16      | 83-   | <b>MCB 512</b>     | *         |            |            |            | <b>MCB 512</b>     |           |           |
| FMX   | 650                  | RD12      | 04-   | <b>MCB 598</b>     | <b>SV</b> |            |            |            | <b>MCB 585</b>     | <b>SH</b> |           |
| FX    | 650 Vigor            | RD09      | 99-02 | <b>MCB 671</b>     | <b>SV</b> |            |            |            | <b>MCB 672</b>     | <b>SH</b> |           |
| GL    | 650 D                | RC10      | 83-85 | <b>MCB 544</b>     | *         |            |            |            | <b>MCS 806</b>     |           |           |
| NT    | 650 V Deauville      | RC47      | 98-01 | <b>MCB 671</b>     | *         | <b>SV</b>  |            |            | <b>MCB 585</b>     | <b>SH</b> |           |
| NT    | 650 V Deauville      | RC47      | 02-05 | <b>MCB 704</b>     | *         | <b>SV</b>  |            |            | <b>MCB 705</b>     | <b>SH</b> |           |
| NTV   | 650 Revere           | RC33      | 88-97 | <b>MCB 598</b>     | <b>SV</b> |            |            |            | <b>MCB 585</b>     | <b>SH</b> |           |
| NX    | 650 Dominator        | RD02      | 90-95 | <b>MCB 571</b>     | <b>SV</b> |            |            |            | <b>MCB 585</b>     | <b>SH</b> |           |
| NX    | 650 Dominator        | RD02      | 88-89 | <b>MCB 624</b>     | <b>SV</b> |            |            |            | <b>MCB 585</b>     | <b>SH</b> |           |
| NX    | 650 Dominator        | RD08      | 96-01 | <b>MCB 671</b>     | <b>SV</b> |            |            |            | <b>MCB 672</b>     | <b>SH</b> | <b>EC</b> |
| SLR   | 650                  | RD09      | 97-98 | <b>MCB 671</b>     | <b>SV</b> |            |            |            | <b>MCB 672</b>     | <b>SH</b> | <b>EC</b> |
| TRX   | 650 Rincon           |           | 03-   |                    |           |            |            |            | <b>MCB 769 SI</b>  |           |           |
| XL    | 650 V Transalp       | RD10      | 99-01 | <b>MCB 669</b>     | *         | <b>SV</b>  |            |            | <b>MCB 585</b>     | <b>SH</b> |           |
| XL    | 650 V Transalp       | RD11      | 02-04 | <b>MCB 669</b>     | *         | <b>SV</b>  |            |            | <b>MCB 585</b>     | <b>SH</b> |           |
| XR    | 650 L                | RD062     | 93-97 | <b>MCB 669 SI</b>  | <b>SV</b> | <b>RSI</b> | <b>EC</b>  |            | <b>MCB 575</b>     | <b>SI</b> | <b>EC</b> |
| XR    | 650 R                | RE01      | 00-   | <b>MCB 669 SI</b>  | <b>SV</b> | <b>RSI</b> | <b>EC</b>  |            | <b>MCB 575</b>     | <b>SI</b> | <b>EC</b> |
| XRV   | 650 Afrika Twin      | RD03      | 88-   | <b>MCB 624</b>     | <b>SV</b> |            |            |            | <b>MCB 585</b>     | <b>SH</b> |           |
| DN-01 | 680                  | RC55      | 08-   | <b>MCB 776 SV</b>  | *         |            |            |            | <b>MCB 599</b>     | <b>SH</b> |           |
| DN-01 | 680                  | Parkingb. | 08-   |                    |           |            |            |            | <b>MCB 832P</b>    |           |           |
| TRX   | 680 Fourtrax         |           | 06-   | <b>MCB 823 SI</b>  | *         |            |            |            | <b>MCB 769 SI</b>  |           |           |





→ HONDA

|     |      |                        |           |       |                     |            |            |  |  |                   |           |  |
|-----|------|------------------------|-----------|-------|---------------------|------------|------------|--|--|-------------------|-----------|--|
| TRX | 680  | FA6, FGA6 Rincon       |           | 06-   | <b>MCB 823 SI *</b> |            |            |  |  | <b>MCB 769 SI</b> |           |  |
|     | 600  | Integra i              |           | 12-   | <b>MCB 776 SV</b>   |            |            |  |  | <b>MCB 634</b>    | <b>SH</b> |  |
|     | 600  | Integra i              | Parkingb. | 12-   |                     |            |            |  |  | <b>MCB 832P</b>   |           |  |
| NC  | 700  | S                      |           | 12-   | <b>MCB 776 SV</b>   |            |            |  |  | <b>MCB 634</b>    | <b>SH</b> |  |
| NC  | 700  | X                      |           | 12-   | <b>MCB 776 SV</b>   |            |            |  |  | <b>MCB 634</b>    | <b>SH</b> |  |
| NC  | 700  | X                      | Parkingb. | 12-   |                     |            |            |  |  | <b>MCB 832P</b>   |           |  |
| NT  | 700  | Deauville ABS          | RC52      | 06-   | <b>MCB 776 SV *</b> |            |            |  |  | <b>MCB 705</b>    | <b>SH</b> |  |
| NT  | 700  | V Varadero, ABS        |           | 10-   | <b>MCB 776 SV *</b> |            |            |  |  | <b>MCB 705</b>    | <b>SH</b> |  |
| TRX | 700  | Fourtrax               |           | 08-   | <b>MCB 669 SI</b>   | <b>EC</b>  |            |  |  | <b>MCB 823 SI</b> |           |  |
| XL  | 700  | Transalp               | RD13      | 08-   | <b>MCB 776 SV *</b> |            |            |  |  | <b>MCB 634</b>    | <b>SH</b> |  |
| CB  | 750  | C                      | RC06      | 82-   | <b>MCB 537 *</b>    |            |            |  |  | <b>MCS 808</b>    |           |  |
| CB  | 750  | C                      | RC06      | 80-81 | <b>MCB 55 *</b>     |            |            |  |  | <b>MCS 808</b>    |           |  |
| CB  | 750  | F                      | CB750F    | 75-76 | <b>MCB 35</b>       |            |            |  |  | <b>MCB 63</b>     |           |  |
| CB  | 750  | F                      | CB750G    | 77-78 | <b>MCB 54</b>       |            |            |  |  | <b>MCB 63</b>     |           |  |
| CB  | 750  | F1                     | RC04      | 80-81 | <b>MCB 54 *</b>     |            |            |  |  | <b>MCB 54</b>     |           |  |
| CB  | 750  | F2                     | RC04      | 82-   | <b>MCB 512 *</b>    |            |            |  |  | <b>MCB 512</b>    |           |  |
| CB  | 750  | K                      | RC01      | 82-   | <b>MCB 512 *</b>    |            |            |  |  | <b>MCS 808</b>    |           |  |
| CB  | 750  | K1-K6                  | CB750     | 71-77 | <b>MCB 32</b>       |            |            |  |  | <b>MCS 808</b>    |           |  |
| CB  | 750  | K7                     | CB750K    | 78-   | <b>MCB 35</b>       |            |            |  |  | <b>MCS 808</b>    |           |  |
| CB  | 750  | KZ                     | RC01      | 80-81 | <b>MCB 55 *</b>     |            |            |  |  | <b>MCS 808</b>    |           |  |
| CB  | 750  | Seven Fifty            | RC42      | 92-01 | <b>MCB 598 *</b>    | <b>SV</b>  |            |  |  | <b>MCB 634</b>    | <b>SH</b> |  |
| CBX | 750  | F                      | RC17      | 84-   | <b>MCB 512 *</b>    |            |            |  |  | <b>MCB 512</b>    |           |  |
| NR  | 750  |                        | NC40      | 92-   | <b>MCB 593 *</b>    | <b>SV</b>  | <b>SRQ</b> |  |  | <b>MCB 585</b>    | <b>SH</b> |  |
| RVF | 750  | R                      | RC45      | 94-97 | <b>MCB 593 *</b>    | <b>SV</b>  | <b>SRQ</b> |  |  | <b>MCB 594</b>    |           |  |
| VF  | 750  | C                      | RC09      | 82-92 | <b>MCB 512 *</b>    |            |            |  |  | <b>MCS 806</b>    |           |  |
| VF  | 750  | C                      | RC43      | 93-99 | <b>MCB 598</b>      | <b>SV</b>  |            |  |  | <b>MCS 822</b>    |           |  |
| VF  | 750  | F                      | RC15      | 83-   | <b>MCB 512 *</b>    |            |            |  |  | <b>MCB 512</b>    |           |  |
| VF  | 750  | S                      | RC07      | 82-   | <b>MCB 512 *</b>    |            |            |  |  | <b>MCS 806</b>    |           |  |
| VFR | 750  | F                      | RC24      | 86-87 | <b>MCB 571 *</b>    | <b>SV</b>  |            |  |  | <b>MCB 512</b>    |           |  |
| VFR | 750  | F                      | RC24      | 88-89 | <b>MCB 598 *</b>    | <b>SV</b>  | <b>SRQ</b> |  |  | <b>MCB 599</b>    | <b>SH</b> |  |
| VFR | 750  | F                      | RC36      | 90-97 | <b>MCB 598 *</b>    | <b>SV</b>  | <b>SRQ</b> |  |  | <b>MCB 599</b>    | <b>SH</b> |  |
| VFR | 750  | R                      | RC30      | 88-89 | <b>MCB 593 SV *</b> | <b>SRQ</b> | <b>CRQ</b> |  |  | <b>MCB 594</b>    |           |  |
| VFR | 750  | R                      | RC30      | 90-93 | <b>MCB 593 SV *</b> | <b>SRQ</b> | <b>CRQ</b> |  |  | <b>MCB 594</b>    |           |  |
| VT  | 750  | C                      | RC29      | 83-86 | <b>MCB 537</b>      |            |            |  |  | <b>MCS 806</b>    |           |  |
| VT  | 750  | C                      | RC29      | 87-   | <b>MCB 512</b>      |            |            |  |  | <b>MCS 822</b>    |           |  |
| VT  | 750  | D Black Widow          | RC48      | 01-04 | <b>MCB 677</b>      | <b>SV</b>  |            |  |  | <b>MCS 822</b>    |           |  |
| VT  | 750  | C Shadow               | RC44/50   | 97-   | <b>MCB 677</b>      | <b>SV</b>  |            |  |  | <b>MCS 806</b>    |           |  |
| VT  | 750  | C Shadow Spirit A.C.E. | RC50      | 07-   | <b>MCB 677</b>      | <b>SV</b>  |            |  |  | <b>MCS 806</b>    |           |  |
| VT  | 750  | C Shadow Black Sprint  | RC50/53   | 10-   | <b>MCB 677</b>      | <b>SV</b>  |            |  |  | <b>MCS 806</b>    |           |  |
| VT  | 750  | S                      |           | 11-   | <b>MCB 677</b>      | <b>SV</b>  |            |  |  | <b>MCS 806</b>    |           |  |
| XLV | 750  | R                      | RD01      | 88-   | <b>MCB 512</b>      |            |            |  |  | <b>MCS 821</b>    |           |  |
| XRV | 750  | Afrika Twin            | RD04      | 90-92 | <b>MCB 562 *</b>    | <b>SV</b>  |            |  |  | <b>MCB 585</b>    | <b>SH</b> |  |
| XRV | 750  | Afrika Twin            | RD07      | 93-   | <b>MCB 669 *</b>    | <b>SV</b>  |            |  |  | <b>MCB 585</b>    | <b>SH</b> |  |
|     | 800  | Crossrunner            |           | 11-   | <b>MCB 776 SV *</b> |            |            |  |  | <b>MCB 817 SH</b> |           |  |
| PC  | 800  | Pacific Coast          | RC34      | 95-   | <b>MCB 598 *</b>    | <b>SV</b>  |            |  |  | <b>MCS 822</b>    |           |  |
| VFR | 800  |                        | RC46      | 98-01 | <b>MCB 704 *</b>    | <b>SV</b>  |            |  |  | <b>MCB 705</b>    | <b>SH</b> |  |
| VFR | 800  | V-TEC, ABS             | RC46      | 02-05 | <b>MCB 704 *</b>    | <b>SV</b>  |            |  |  | <b>MCB 705</b>    | <b>SH</b> |  |
| VFR | 800  | Interceptor, ABS       | RC46      | 06-   | <b>MCB 776 SV *</b> |            |            |  |  | <b>MCB 705</b>    | <b>SH</b> |  |
| CB  | 900  | F                      | SC01      | 79-81 | <b>MCB 54 *</b>     |            |            |  |  | <b>MCB 54</b>     |           |  |
| CB  | 900  | F,F2                   | SC01      | 81-   | <b>MCB 512 *</b>    |            |            |  |  | <b>MCB 512</b>    |           |  |
| CB  | 900  | F,F2                   | SC09      | 82-   | <b>MCB 512 *</b>    |            |            |  |  | <b>MCB 512</b>    |           |  |
| CB  | 900  | Hornet                 | SC48      | 02-   | <b>MCB 593 *</b>    | <b>SV</b>  | <b>SRQ</b> |  |  | <b>MCB 634</b>    | <b>SH</b> |  |
| CBR | 900  | RR                     | SC28      | 92-95 | <b>MCB 593 SV *</b> | <b>SRQ</b> | <b>CRQ</b> |  |  | <b>MCB 634</b>    | <b>SH</b> |  |
| CBR | 900  | RR                     | SC33      | 96-97 | <b>MCB 593 SV *</b> | <b>SRQ</b> | <b>CRQ</b> |  |  | <b>MCB 634</b>    | <b>SH</b> |  |
| CBR | 900  | RR                     | SC33D     | 98-99 | <b>MCB 703 SV *</b> | <b>SRQ</b> | <b>CRQ</b> |  |  | <b>MCB 634</b>    | <b>SH</b> |  |
| CBR | 900  | RR                     | SC44      | 00-01 | <b>MCB 703 SV *</b> | <b>SRQ</b> | <b>CRQ</b> |  |  | <b>MCB 634</b>    | <b>SH</b> |  |
| CBR | 954  | RR Fireblade           | SC50      | 02-03 | <b>MCB 703 SV *</b> | <b>SRQ</b> | <b>CRQ</b> |  |  | <b>MCB 634</b>    | <b>SH</b> |  |
| CB  | 1000 | Super Four             | SC30      | 93-03 | <b>MCB 593 SV *</b> | <b>SRQ</b> | <b>CRQ</b> |  |  | <b>MCB 634</b>    | <b>SH</b> |  |
| CB  | 1000 | R                      | SC60      | 08-   | <b>MCB 755 SV *</b> | <b>SRQ</b> |            |  |  | <b>MCB 817 SH</b> |           |  |
| CB  | 1000 | RA (ABS)               | SC60      | 08-   | <b>MCB 776 SV *</b> |            |            |  |  | <b>MCB 817 SH</b> |           |  |
| CBF | 1000 |                        | SC58      | 06-09 | <b>MCB 677 *</b>    | <b>SV</b>  |            |  |  | <b>MCB 634</b>    | <b>SH</b> |  |
| CBF | 1000 | ABS                    | SC58      | 06-09 | <b>MCB 776 SV *</b> |            |            |  |  | <b>MCB 776 SH</b> |           |  |
| CBF | 1000 | F                      | SC64      | 10-   | <b>MCB 677 *</b>    | <b>SV</b>  |            |  |  | <b>MCB 634</b>    | <b>SH</b> |  |
| CBF | 1000 | F ABS                  | SC64      | 10-   | <b>MCB 776 SV *</b> |            |            |  |  | <b>MCB 634</b>    | <b>SH</b> |  |
| CBR | 1000 | F                      | SC21      | 87-88 | <b>MCB 571 *</b>    | <b>SV</b>  |            |  |  | <b>MCB 512</b>    |           |  |
| CBR | 1000 | F                      | SC24      | 89    | <b>MCB 598 *</b>    | <b>SV</b>  | <b>SRQ</b> |  |  | <b>MCB 599</b>    |           |  |
| CBR | 1000 | F                      | SC24      | 90-92 | <b>MCB 598 *</b>    | <b>SV</b>  | <b>SRQ</b> |  |  | <b>MCB 631</b>    | <b>SH</b> |  |
| CBR | 1000 | F, Dual CBS            | SC24      | 93-01 | <b>MCB 658 *</b>    | <b>SV</b>  |            |  |  | <b>MCB 658</b>    | <b>SV</b> |  |





## → HONDA

|     |      |                   |           |       |                     |            |            |            |                   |           |
|-----|------|-------------------|-----------|-------|---------------------|------------|------------|------------|-------------------|-----------|
| CBR | 1000 | RR Fireblade      | SC57      | 04-05 | <b>MCB 755 SV *</b> | <b>SRQ</b> | <b>CRQ</b> | <b>SCR</b> | <b>MCB 634</b>    | <b>SH</b> |
| CBR | 1000 | RR Fireblade      | SC57      | 06-07 | <b>MCB 755 SV *</b> | <b>SRQ</b> | <b>CRQ</b> | <b>SCR</b> | <b>MCB 784 SH</b> |           |
| CBR | 1000 | RR Fireblade, ABS | SC59      | 08-   | <b>MCB 755 SV *</b> | <b>SRQ</b> | <b>CRQ</b> | <b>SCR</b> | <b>MCB 784 SH</b> |           |
| CBX | 1000 |                   | CB1       | 79    | <b>MCB 54 *</b>     |            |            |            | <b>MCB 54</b>     |           |
| CBX | 1000 |                   | SC06      | 81-   | <b>MCB 544 *</b>    |            |            |            | <b>MCB 512</b>    |           |
| GL  | 1000 |                   | GL1, GL2  | 78    | <b>MCB 54 *</b>     |            |            |            | <b>MCB 63</b>     |           |
| GL  | 1000 |                   | GL1, GL2  | 81-   | <b>MCB 54 *</b>     |            |            |            | <b>MCB 54</b>     |           |
| GL  | 1000 |                   | GL1, GL2  | 75-77 | <b>MCB 62 *</b>     |            |            |            | <b>MCB 63</b>     |           |
| VF  | 1000 |                   | SC15      | 84-   | <b>MCB 512 *</b>    |            |            |            | <b>MCB 512</b>    |           |
| VF  | 1000 | F2                | SC15      | 85-   | <b>MCB 512 *</b>    |            |            |            | <b>MCB 512</b>    |           |
| VF  | 1000 | R                 | SC16      | 84-85 | <b>MCB 512 *</b>    | <b>SV</b>  |            |            | <b>MCB 545</b>    |           |
| VF  | 1000 | R                 | SC16      | 86-   | <b>MCB 512 *</b>    | <b>SV</b>  |            |            | <b>MCB 512</b>    | <b>SH</b> |
| VTR | 1000 | Firestorm         | SC36      | 97-   | <b>MCB 593 SV *</b> | <b>SRQ</b> |            |            | <b>MCB 634</b>    | <b>SH</b> |
| VTR | 1000 | SP-1              | SC45      | 00-01 | <b>MCB 703 SV *</b> | <b>SRQ</b> | <b>CRQ</b> |            | <b>MCB 634</b>    | <b>SH</b> |
| VTR | 1000 | SP-2              | SC45      | 02-07 | <b>MCB 703 SV *</b> | <b>SRQ</b> | <b>CRQ</b> |            | <b>MCB 634</b>    | <b>SH</b> |
| XL  | 1000 | Varadero ABS      | SD02      | 04-   | <b>MCB 776 SV *</b> |            |            |            | <b>MCB 705</b>    | <b>SH</b> |
| XL  | 1000 | Varadero Dual CBS | SD01      | 99-   | <b>MCB 704 *</b>    | <b>SV</b>  |            |            | <b>MCB 705</b>    | <b>SH</b> |
| CB  | 1100 | F                 | SC11      | 83-   | <b>MCB 512 *</b>    |            |            |            | <b>MCB 512</b>    |           |
| CB  | 1100 | R                 | SC05      | 81-   | <b>MCB 512 *</b>    |            |            |            | <b>MCB 512</b>    |           |
| CB  | 1100 | R                 | SC08      | 82-   | <b>MCB 512 *</b>    |            |            |            | <b>MCB 512</b>    |           |
| CB  | 1100 | X-Eleven          | SC42      | 00-   | <b>MCB 704 *</b>    | <b>SV</b>  |            |            | <b>MCB 705</b>    |           |
| CBR | 1100 | XX                | SC35      | 98-   | <b>MCB 704 *</b>    | <b>SV</b>  |            |            | <b>MCB 705</b>    | <b>SH</b> |
| GL  | 1100 | , D               | SC02      | 80-81 | <b>MCB 54 *</b>     |            |            |            | <b>MCB 54</b>     |           |
| GL  | 1100 | , D               | SC02      | 82-83 | <b>MCB 512 *</b>    |            |            |            | <b>MCB 512</b>    |           |
| ST  | 1100 | ABS-TCS-CBS       | SC26      | 92-95 | <b>MCB 598 *</b>    | <b>SV</b>  |            |            | <b>MCB 631</b>    | <b>SH</b> |
| ST  | 1100 | ABS-TCS-CBS       | SC26      | 96-   | <b>MCB 692 *</b>    | <b>SV</b>  |            |            | <b>MCB 693</b>    |           |
| ST  | 1100 | Pan European      | SC26      | 90-   | <b>MCB 598 *</b>    | <b>SV</b>  |            |            | <b>MCB 631</b>    | <b>SH</b> |
| VF  | 1100 | C                 | SC12      | 83-   | <b>MCB 512 *</b>    |            |            |            | <b>MCB 512</b>    |           |
| VT  | 1100 | C1                | SC23      | 87-93 | <b>MCB 512 *</b>    |            |            |            | <b>MCS 822</b>    |           |
| VT  | 1100 | C1                | SC23      | 94-98 | <b>MCB 598 *</b>    | <b>SV</b>  |            |            | <b>MCS 822</b>    |           |
| VT  | 1100 | C2                | SC32      | 95-99 | <b>MCB 598 *</b>    | <b>SV</b>  |            |            | <b>MCB 634</b>    | <b>SH</b> |
| VT  | 1100 | C3                | SC39      | 98-   | <b>MCB 598 *</b>    | <b>SV</b>  |            |            | <b>MCB 634</b>    | <b>SH</b> |
| GL  | 1200 | D                 | SC14      | 84-   | <b>MCB 512 *</b>    |            |            |            | <b>MCB 512</b>    |           |
| VFR | 1200 | Crosstourer       |           | 12-   | <b>MCB 776 SV *</b> |            |            |            | <b>MCB 776 SH</b> |           |
| VFR | 1200 | Crosstourer       | Parkingb. | 12-   |                     |            |            |            | <b>MCB 832P</b>   |           |
| VFR | 1200 | F                 |           | 10-   | <b>MCB 828 SV *</b> |            |            |            | <b>MCB 817 SH</b> |           |
| VFR | 1200 | F                 | Parkingb. | 10-   |                     |            |            |            | <b>MCB 832P</b>   |           |
| CB  | 1300 |                   | SC40      | 98-00 | <b>MCB 660 SV *</b> | <b>SRQ</b> |            |            | <b>MCB 691</b>    | <b>SH</b> |
| CB  | 1300 |                   | SC40      | 01-02 | <b>MCB 703 *</b>    | <b>SV</b>  |            |            | <b>MCB 691</b>    | <b>SH</b> |
| CB  | 1300 | S                 | SC54      | 03-10 | <b>MCB 703 *</b>    | <b>SV</b>  | <b>SRQ</b> |            | <b>MCB 634</b>    | <b>SH</b> |
| CB  | 1300 | S                 |           | 11-   | <b>MCB 776 SV *</b> |            |            |            | <b>MCB 634</b>    | <b>SH</b> |
| CB  | 1300 | A, SA, mit ABS    | SC54      | 05-   | <b>MCB 776 SV *</b> |            |            |            | <b>MCB 634</b>    | <b>SH</b> |
| CB  | 1300 | X-4               | SC38      | 97-   | <b>MCB 593 *</b>    | <b>SV</b>  |            |            | <b>MCB 691</b>    | <b>SH</b> |
| STX | 1300 | Pan European, ABS | SC51      | 02-07 | <b>MCB 704 *</b>    | <b>SV</b>  |            |            | <b>MCB 705</b>    | <b>SH</b> |
| STX | 1300 | Pan European      |           | 08-   | <b>MCB 776 SV *</b> |            |            |            | <b>MCB 705 SH</b> |           |
| VT  | 1300 | Fury ABS          |           | 10-   | <b>MCB 776 SV *</b> |            |            |            | <b>MCB 705 SH</b> |           |
| VT  | 1300 | Fury              |           | 10-   | <b>MCB 598 *</b>    | <b>SV</b>  |            |            | <b>MCB 705</b>    | <b>SH</b> |
| VTX | 1300 | C, S              | SC52      | 03-   | <b>MCB 598</b>      | <b>SV</b>  |            |            | <b>MCB 634</b>    | <b>SH</b> |
| GL  | 1500 |                   | SC22      | 88-97 | <b>MCB 624 *</b>    | <b>SV</b>  |            |            | <b>MCB 512</b>    |           |
| GL  | 1500 | A, I              | SC22      | 94-97 | <b>MCB 624 *</b>    | <b>SV</b>  |            |            | <b>MCB 512</b>    | <b>SH</b> |
| GL  | 1500 | SE                | SC22      | 91-00 | <b>MCB 624 *</b>    | <b>SV</b>  |            |            | <b>MCB 512</b>    | <b>SH</b> |
| GL  | 1520 | F6C Valkyrie      | SC34B     | 97-   | <b>MCB 598 *</b>    | <b>SV</b>  |            |            | <b>MCB 599</b>    | <b>SH</b> |
| GL  | 1800 | Gold Wing         | SC47      | 01-   | <b>MCB 704 *</b>    | <b>SV</b>  |            |            | <b>MCB 840 SH</b> |           |
| VTX | 1800 |                   | SC46      | 01-   | <b>MCB 704 *</b>    | <b>SV</b>  |            |            | <b>MCB 705</b>    | <b>SH</b> |

## Horex

|        |      |               |  |     |                  |           |  |  |                |  |
|--------|------|---------------|--|-----|------------------|-----------|--|--|----------------|--|
| Rebell | 80   | N             |  |     | <b>MCB 508</b>   |           |  |  |                |  |
| Rebell | 80   | T, Sport 80 L |  | 86- | <b>MCB 19 *</b>  |           |  |  | <b>MCB 19</b>  |  |
|        | 560  | E             |  | 86- | <b>MCB 19 *</b>  |           |  |  | <b>MCB 19</b>  |  |
|        | 600  | Columbus      |  | 87- | <b>MCB 19 *</b>  |           |  |  | <b>MCB 19</b>  |  |
| VR6    | 1200 |               |  | 11- | <b>MCB 683 *</b> | <b>SV</b> |  |  | <b>MCB 582</b> |  |

## HRD

|  |     |                  |  |     |                |  |  |  |                |  |
|--|-----|------------------|--|-----|----------------|--|--|--|----------------|--|
|  | 50  | GS, Enduro       |  | 00- | <b>MCB 629</b> |  |  |  | <b>MCB 672</b> |  |
|  | 50  | Sonic 2 Supermot |  | 00- | <b>MCB 629</b> |  |  |  |                |  |
|  | 50  | Sonic 2 Trail    |  | 00- | <b>MCB 629</b> |  |  |  |                |  |
|  | 125 | Supermotard      |  | 00- | <b>MCB 629</b> |  |  |  |                |  |
|  | 125 | Trail            |  | 00- | <b>MCB 629</b> |  |  |  |                |  |



## Husaberg

|       |          |       |       |                    |                    |            |            |                   |            |           |  |
|-------|----------|-------|-------|--------------------|--------------------|------------|------------|-------------------|------------|-----------|--|
|       | 50 SM/WR |       | 02-   | <b>MCB 629</b>     |                    |            |            | <b>MCB 535</b>    | <b>SR</b>  |           |  |
| TE    | 250      |       | 11-   | <b>MCB 648 SI</b>  | <b>RSI</b>         | <b>EC</b>  |            | <b>MCB 743 SI</b> | <b>RSI</b> | <b>EC</b> |  |
| TE    | 300      |       | 11-   | <b>MCB 648 SI</b>  | <b>RSI</b>         | <b>EC</b>  |            | <b>MCB 743 SI</b> | <b>RSI</b> | <b>EC</b> |  |
|       | 350      |       | 89-93 | <b>MCB 574 SI</b>  | <b>RSI</b>         |            |            | <b>MCB 523 SI</b> |            |           |  |
|       | 350      |       | 94    | <b>MCB 648 SI</b>  | <b>RSI</b>         | <b>EC</b>  |            | <b>MCB 523 SI</b> |            |           |  |
|       | 350      |       | 95-   | <b>MCB 648 SI</b>  | <b>RSI</b>         | <b>EC</b>  |            | <b>MCB 672 SI</b> | <b>RSI</b> | <b>EC</b> |  |
| FE    | 400      | , S,E | FE    | 99-                | <b>MCB 648 SI</b>  | <b>RSI</b> | <b>EC</b>  | <b>MCB 672 SI</b> | <b>RSI</b> | <b>EC</b> |  |
| FE/FC | 450      |       | 03-08 | <b>MCB 648 SI</b>  | <b>RSI</b>         | <b>EC</b>  |            | <b>MCB 672 SI</b> | <b>RSI</b> | <b>EC</b> |  |
| FE    | 450      |       | 09-   | <b>MCB 648 SI</b>  | <b>RSI</b>         | <b>EC</b>  |            | <b>MCB 743 SI</b> | <b>RSI</b> | <b>EC</b> |  |
| FS    | 450      |       | 03-05 | <b>MCB 602</b>     | <b>SV</b>          | <b>SRQ</b> |            | <b>MCB 672 SI</b> | <b>RSI</b> | <b>EC</b> |  |
| FS    | 450      |       | 06-   | <b>MCB 793 RSI</b> | <b>SRQ</b>         |            |            | <b>MCB 672 SI</b> | <b>RSI</b> | <b>EC</b> |  |
|       | 500      |       | 89-93 | <b>MCB 574 SI</b>  | <b>RSI</b>         |            |            | <b>MCB 523 SI</b> |            |           |  |
|       | 500      |       | 94    | <b>MCB 648 SI</b>  | <b>RSI</b>         | <b>EC</b>  |            | <b>MCB 523 SI</b> |            |           |  |
|       | 500      |       | 95-   | <b>MCB 648 SI</b>  | <b>RSI</b>         | <b>EC</b>  |            | <b>MCB 672 SI</b> | <b>RSI</b> | <b>EC</b> |  |
| FE/FC | 501      | , S,E | FE    | 99-04              | <b>MCB 648 SI</b>  | <b>RSI</b> | <b>EC</b>  | <b>MCB 672 SI</b> | <b>RSI</b> | <b>EC</b> |  |
| FE/FC | 550      |       | 04-08 | <b>MCB 648 SI</b>  | <b>RSI</b>         | <b>EC</b>  |            | <b>MCB 672 SI</b> | <b>RSI</b> | <b>EC</b> |  |
| FE    | 570      |       | 09-   | <b>MCB 648 SI</b>  | <b>RSI</b>         | <b>EC</b>  |            | <b>MCB 743 SI</b> | <b>RSI</b> | <b>EC</b> |  |
|       | 600      |       | 89-93 | <b>MCB 574 SI</b>  | <b>RSI</b>         |            |            | <b>MCB 523 SI</b> |            |           |  |
|       | 600      |       | 94    | <b>MCB 648 SI</b>  | <b>RSI</b>         | <b>EC</b>  |            | <b>MCB 523 SI</b> |            |           |  |
|       | 600      |       | 95-   | <b>MCB 648 SI</b>  | <b>RSI</b>         | <b>EC</b>  |            | <b>MCB 672 SI</b> | <b>RSI</b> | <b>EC</b> |  |
| FE/FC | 600      | , S,E | FE    | 99-01              | <b>MCB 648 SI</b>  | <b>RSI</b> | <b>EC</b>  | <b>MCB 672 SI</b> | <b>RSI</b> | <b>EC</b> |  |
| FE    | 650      | e     | FE    | 01-                | <b>MCB 648 SI</b>  | <b>RSI</b> | <b>EC</b>  | <b>MCB 672 SI</b> | <b>RSI</b> | <b>EC</b> |  |
| FS    | 650      | e, c  |       | 01-05              | <b>MCB 602</b>     | <b>SV</b>  | <b>SRQ</b> | <b>MCB 672 SI</b> | <b>RSI</b> | <b>EC</b> |  |
| FS    | 650      | e, c  |       | 06-                | <b>MCB 793 RSI</b> |            |            | <b>MCB 672 SI</b> | <b>RSI</b> | <b>EC</b> |  |
| FX    | 650      | e     |       | 01-                | <b>MCB 648 SI</b>  | <b>RSI</b> | <b>EC</b>  | <b>MCB 672 SI</b> | <b>RSI</b> | <b>EC</b> |  |

## Husqvarna

|       |           |                       |       |                   |                   |            |            |                   |                   |            |           |
|-------|-----------|-----------------------|-------|-------------------|-------------------|------------|------------|-------------------|-------------------|------------|-----------|
|       | 50 Racing |                       | 99-   | <b>MCB 535</b>    | <b>SR</b>         | <b>RQ</b>  |            |                   |                   |            |           |
| SM    | 50        |                       | 10-   | <b>MCB 767</b>    |                   |            |            | <b>MCB 750 SI</b> | <b>RSI</b>        | <b>EC</b>  |           |
| WRS   | 50        | WRS                   | 00-   | <b>MCB 535</b>    | <b>SR</b>         | <b>RQ</b>  |            | <b>MCS 962</b>    |                   |            |           |
| CR    | 65        |                       | 12-   | <b>MCB 740 SI</b> | <b>RSI</b>        | <b>EC</b>  |            | <b>MCB 831 SI</b> | <b>EC</b>         |            |           |
| CR    | 125       |                       | 84-89 | <b>MCB 75</b>     | <b>SI</b>         |            |            |                   |                   |            |           |
| CR    | 125       |                       | 90-91 | <b>MCB 579 SI</b> |                   |            |            | <b>MCB 523 SI</b> |                   |            |           |
| CR    | 125       |                       | 92-94 | <b>MCB 582 SI</b> | <b>RSI</b>        |            |            | <b>MCB 554 SI</b> |                   |            |           |
| CR    | 125       |                       | 95-   | <b>MCB 648 SI</b> | <b>RSI</b>        | <b>EC</b>  |            | <b>MCB 672 SI</b> | <b>RSI</b>        | <b>EC</b>  |           |
| SM    | 125       | Supermotard           | 99-   | <b>MCB 648 SI</b> | <b>RSI</b>        | <b>EC</b>  |            | <b>MCB 672 SI</b> | <b>RSI</b>        | <b>EC</b>  |           |
| SM    | 125       | S                     | 09-   | <b>MCB 648 SI</b> | <b>RSI</b>        | <b>EC</b>  |            | <b>MCB 672 SI</b> | <b>RSI</b>        | <b>EC</b>  |           |
| TE    | 125       | 4 T                   | 11-   | <b>MCB 648 SI</b> | <b>RSI</b>        | <b>EC</b>  |            | <b>MCB 672 SI</b> | <b>RSI</b>        | <b>EC</b>  |           |
| WR    | 125       |                       | 90-91 | <b>MCB 579</b>    | <b>SI</b>         |            |            | <b>MCB 523 SI</b> |                   |            |           |
| WR    | 125       |                       | 92-94 | <b>MCB 582 SI</b> | <b>RSI</b>        |            |            | <b>MCB 554 SI</b> |                   |            |           |
| WR    | 125       |                       | 95-   | <b>MCB 648 SI</b> | <b>RSI</b>        | <b>EC</b>  |            | <b>MCB 672 SI</b> | <b>RSI</b>        | <b>EC</b>  |           |
| WRE   | 125       |                       | 94-   | <b>MCB 648 SI</b> | <b>RSI</b>        | <b>EC</b>  |            | <b>MCB 672 SI</b> | <b>RSI</b>        | <b>EC</b>  |           |
| WXE   | 125       |                       | 07-   | <b>MCB 629</b>    |                   |            |            | <b>MCB 575 SI</b> | <b>RSI</b>        | <b>EC</b>  |           |
| CR    | 250       |                       | 84-89 | <b>MCB 75</b>     | <b>SI</b>         |            |            |                   |                   |            |           |
| CR    | 250       |                       | 90-91 | <b>MCB 579 SI</b> |                   |            |            | <b>MCB 523 SI</b> |                   |            |           |
| CR    | 250       |                       | 92-94 | <b>MCB 582 SI</b> | <b>RSI</b>        |            |            | <b>MCB 554 SI</b> |                   |            |           |
| CR    | 250       |                       | 95-04 | <b>MCB 648 SI</b> | <b>RSI</b>        | <b>EC</b>  |            | <b>MCB 672 SI</b> | <b>RSI</b>        | <b>EC</b>  |           |
| CR    | 250       |                       | 05-   | <b>MCB 648 SI</b> | <b>RSI</b>        | <b>EC</b>  |            | <b>MCB 743 SI</b> | <b>RSI</b>        | <b>EC</b>  |           |
| TE/TC | 250       | H8                    | 02-05 | <b>MCB 648 SI</b> | <b>RSI</b>        | <b>EC</b>  |            | <b>MCB 672 SI</b> | <b>RSI</b>        | <b>EC</b>  |           |
| TE/TC | 250       |                       | 06-   | <b>MCB 648 SI</b> | <b>RSI</b>        | <b>EC</b>  |            | <b>MCB 743 SI</b> | <b>RSI</b>        | <b>EC</b>  |           |
| WR    | 250       |                       | 90-91 | <b>MCB 579</b>    | <b>SI</b>         |            |            | <b>MCB 523 SI</b> |                   |            |           |
| WR    | 250       |                       | 92-94 | <b>MCB 582 SI</b> | <b>RSI</b>        |            |            | <b>MCB 554 SI</b> |                   |            |           |
| WR    | 250       | 3H                    | 95-05 | <b>MCB 648 SI</b> | <b>RSI</b>        | <b>EC</b>  |            | <b>MCB 672 SI</b> | <b>RSI</b>        | <b>EC</b>  |           |
| WR    | 250       | /300                  | 06-   | <b>MCB 648 SI</b> | <b>RSI</b>        | <b>EC</b>  |            | <b>MCB 743 SI</b> | <b>RSI</b>        | <b>EC</b>  |           |
| TE    | 310       | 4 T                   | 10-   | <b>MCB 648 SI</b> | <b>RSI</b>        | <b>EC</b>  |            | <b>MCB 743 SI</b> | <b>RSI</b>        | <b>EC</b>  |           |
| TE    | 350       |                       | 90-92 | <b>MCB 579</b>    | <b>SI</b>         |            |            | <b>MCB 523 SI</b> |                   |            |           |
| TE    | 350       |                       | 93-94 | <b>MCB 582 SI</b> | <b>RSI</b>        |            |            | <b>MCB 554 SI</b> |                   |            |           |
| TE    | 350       |                       | 95-   | <b>MCB 648 SI</b> | <b>RSI</b>        | <b>EC</b>  |            | <b>MCB 672 SI</b> | <b>RSI</b>        | <b>EC</b>  |           |
| WR    | 360       | 3H                    | 98-   | <b>MCB 648 SI</b> | <b>RSI</b>        | <b>EC</b>  |            | <b>MCB 672 SI</b> | <b>RSI</b>        | <b>EC</b>  |           |
| TE    | 400       | H8                    | 01-   | <b>MCB 648 SI</b> | <b>RSI</b>        | <b>EC</b>  |            | <b>MCB 672 SI</b> | <b>RSI</b>        | <b>EC</b>  |           |
| TE    | 410       |                       | 06-   | <b>MCB 648 SI</b> | <b>RSI</b>        | <b>EC</b>  |            | <b>MCB 743 SI</b> | <b>RSI</b>        | <b>EC</b>  |           |
| WR    | 400       |                       | 87-88 | <b>MCB 579</b>    | <b>SI</b>         |            |            |                   |                   |            |           |
| CR    | 430       |                       | 87-88 | <b>MCB 579</b>    | <b>SI</b>         |            |            |                   |                   |            |           |
| WR    | 430       |                       | 87-88 | <b>MCB 579</b>    | <b>SI</b>         |            |            |                   |                   |            |           |
| SM    | 450       | R                     | 03-04 | <b>MCB 540</b>    | <b>SV</b>         | <b>SRQ</b> | <b>CRQ</b> | <b>MCB 672 SI</b> | <b>RSI</b>        | <b>EC</b>  |           |
| SM    | 450       | R, RR (Radialcaliper) | 4☐    | 06-               | <b>MCB 721 SV</b> | <b>SRQ</b> | <b>CRQ</b> | <b>SCR</b>        | <b>MCB 743 SI</b> | <b>RSI</b> | <b>EC</b> |
| TE/TC | 450       | H8                    | 02-05 | <b>MCB 648</b>    | <b>RSI</b>        | <b>SI</b>  | <b>EC</b>  | <b>MCB 672 SI</b> | <b>RSI</b>        | <b>EC</b>  |           |
| TE/TC | 450       |                       | 06-   | <b>MCB 648</b>    | <b>RSI</b>        | <b>SI</b>  | <b>EC</b>  | <b>MCB 743 SI</b> | <b>RSI</b>        | <b>EC</b>  |           |
| SMR   | 449       | 4☐                    | 11-   | <b>MCB 721 SV</b> | <b>SRQ</b>        | <b>CRQ</b> |            | <b>MCB 743 SI</b> | <b>RSI</b>        | <b>EC</b>  |           |





## → HUSQVARNA

|       |                           |    |       |                     |            |            |            |                   |            |           |  |
|-------|---------------------------|----|-------|---------------------|------------|------------|------------|-------------------|------------|-----------|--|
| TC    | 500                       |    | 86-88 | <b>MCB 75</b>       | <b>SI</b>  |            |            |                   |            |           |  |
| SM    | 510 R                     | 4  | 05    | <b>MCB 721 SV</b>   | <b>SRQ</b> | <b>CRQ</b> | <b>SCR</b> | <b>MCB 672 SI</b> | <b>RSI</b> | <b>EC</b> |  |
| SM    | 510 R                     | 4  | 06-   | <b>MCB 721 SV</b>   | <b>SRQ</b> | <b>CRQ</b> | <b>SCR</b> | <b>MCB 743 SI</b> | <b>RSI</b> | <b>EC</b> |  |
| TE/TC | 510                       |    | 88-89 | <b>MCB 579</b>      | <b>SI</b>  |            |            |                   |            |           |  |
| TE/TC | 510                       |    | 90-91 | <b>MCB 579</b>      | <b>SI</b>  |            |            | <b>MCB 523 SI</b> |            |           |  |
| SMR   | 511                       | 4  | 11-   | <b>MCB 721 SV</b>   | <b>SRQ</b> | <b>CRQ</b> |            | <b>MCB 743 SI</b> | <b>RSI</b> | <b>EC</b> |  |
| TE    | 511                       |    | 11-   | <b>MCB 648 SI</b>   | <b>RSI</b> | <b>EC</b>  |            | <b>MCB 743 SI</b> | <b>RSI</b> | <b>EC</b> |  |
| TE    | 570                       | H8 | 01-   | <b>MCB 648 SI</b>   | <b>RSI</b> | <b>EC</b>  |            | <b>MCB 672 SI</b> | <b>RSI</b> | <b>EC</b> |  |
| TE/TC | 610                       |    | 91    | <b>MCB 579</b>      | <b>SI</b>  |            |            | <b>MCB 523 SI</b> |            |           |  |
| TE/TC | 610                       |    | 92-94 | <b>MCB 582 SI</b>   | <b>RSI</b> |            |            | <b>MCB 554 SI</b> |            |           |  |
| TE/TC | 610                       |    | 98-   | <b>MCB 683</b>      | <b>SV</b>  | <b>SRQ</b> | <b>CRQ</b> | <b>MCB 672 SI</b> | <b>RSI</b> | <b>EC</b> |  |
|       | 610 Rallye                | H8 | 95-01 | <b>MCB 648</b>      | <b>SI</b>  | <b>RSI</b> | <b>EC</b>  | <b>MCB 672 SI</b> | <b>RSI</b> | <b>EC</b> |  |
| LT    | 610 Travelling Adventure  |    | 00-   | <b>MCB 648</b>      | <b>SI</b>  | <b>RSI</b> | <b>EC</b>  | <b>MCB 672 SI</b> | <b>RSI</b> | <b>EC</b> |  |
| SM    | 610 Supermotard S         |    | 00-06 | <b>MCB 683</b>      | <b>SV</b>  | <b>SRQ</b> | <b>CRQ</b> | <b>MCB 672 SI</b> | <b>RSI</b> | <b>EC</b> |  |
| SM    | 610 S, IE (Radialcaliper) | 4  | 07-   | <b>MCB 721 SV</b>   | <b>SRQ</b> | <b>CRQ</b> | <b>SCR</b> | <b>MCB 743 SI</b> | <b>RSI</b> | <b>EC</b> |  |
| SMR   | 630                       |    | 06-   | <b>MCB 540</b>      | <b>SV</b>  | <b>SRQ</b> | <b>CRQ</b> | <b>MCB 672 SI</b> | <b>RSI</b> | <b>EC</b> |  |
| STR   | 650 CRC                   | 4  | 07-   | <b>MCB 721 SV</b>   | <b>SRQ</b> | <b>CRQ</b> |            | <b>MCB 743 SI</b> | <b>RSI</b> | <b>EC</b> |  |
|       | 900 Nuda                  |    | 12-   | <b>MCB 683 *</b>    | <b>SV</b>  | <b>SRQ</b> | <b>CRQ</b> | <b>MCB 672</b>    | <b>SH</b>  |           |  |
|       | 900 Nuda R                |    | 12-   | <b>MCB 792 SV *</b> | <b>SRQ</b> | <b>CRQ</b> |            | <b>MCB 672</b>    | <b>SH</b>  |           |  |

## Hyosung

|     |                       |        |       |                     |           |           |  |                    |           |  |  |
|-----|-----------------------|--------|-------|---------------------|-----------|-----------|--|--------------------|-----------|--|--|
|     | 50 Avanti             |        | 02-   | <b>MCB 519</b>      | <b>EC</b> | <b>SR</b> |  |                    |           |  |  |
|     | 50 Avanti             | SD50   | 99-01 | <b>MCB 519</b>      | <b>EC</b> | <b>SR</b> |  | <b>MCS 993</b>     |           |  |  |
|     | 50 Super Cab          | SB50   | 95-   | <b>MCB 519</b>      | <b>EC</b> | <b>SR</b> |  | <b>MCS 993</b>     |           |  |  |
|     | 50 Super Cab Plus     | SB50   | 98-   | <b>MCB 519</b>      | <b>EC</b> | <b>SR</b> |  | <b>MCS 993</b>     |           |  |  |
| SB  | 50 Gamma              |        | 98-   | <b>MCB 519</b>      | <b>EC</b> | <b>SR</b> |  | <b>MCS 993</b>     |           |  |  |
| SF  | 50 Racing             | SF50   | 99-   | <b>MCB 519</b>      | <b>EC</b> | <b>SR</b> |  | <b>MCS 993</b>     |           |  |  |
|     | 100 Super Cab         |        | 97-   | <b>MCB 519</b>      | <b>EC</b> | <b>SR</b> |  | <b>MCS 993</b>     |           |  |  |
| FX  | 110                   | FX110M | 02-   | <b>MCB 519</b>      | <b>EC</b> | <b>SR</b> |  | <b>MCS 993</b>     |           |  |  |
|     | 125 Boomer            |        | 02-   | <b>MCB 75</b>       |           |           |  | <b>MCB 525</b>     |           |  |  |
|     | 125 Cruise I, II      | GA125  | 95-   | <b>MCB 513</b>      |           |           |  | <b>MCS 855</b>     |           |  |  |
|     | 125 Cruise II Classic | GA125  | 99-   | <b>MCB 513</b>      |           |           |  | <b>MCS 855</b>     |           |  |  |
|     | 125 Hyper             | GPS125 | 98-   | <b>MCB 674</b>      | <b>EC</b> | <b>SR</b> |  | <b>MCS 993</b>     |           |  |  |
| GA  | 125 F                 |        | 00-   | <b>MCB 513</b>      |           |           |  | <b>MCS 855</b>     |           |  |  |
| GD  | 125 EXIV              |        | 12-   | <b>MCB 703</b>      | <b>SV</b> |           |  | <b>MCB 519</b>     | <b>EC</b> |  |  |
| GF  | 125                   | GF125  | 98-   | <b>MCB 513</b>      |           |           |  | <b>MCS 855</b>     |           |  |  |
| GS  | 125                   | GS125  | 98-   | <b>MCB 513</b>      |           |           |  | <b>MCS 855</b>     |           |  |  |
| GT  | 125 Naked, Comet      | GT     | 02-   | <b>MCB 822</b>      | <b>SV</b> |           |  | <b>MCB 822</b>     |           |  |  |
| GT  | 125 R Supersport      |        | 04-   | <b>MCB 822</b>      | <b>SV</b> |           |  | <b>MCB 822</b>     |           |  |  |
| GV  | 125 Aquila            | GV125  | 00-   | <b>MCB 822</b>      | <b>SV</b> |           |  | <b>MCS 855</b>     |           |  |  |
| RT  | 125 Karion            |        | 02-06 | <b>MCB 822</b>      | <b>SV</b> |           |  | <b>MCS 962</b>     |           |  |  |
| RT  | 125 Karion            |        | 07-   | <b>MCB 822</b>      | <b>SV</b> |           |  | <b>MCB 822</b>     |           |  |  |
| XRX | 125 Offroad           | RX125  | 99-06 | <b>MCB 822</b>      | <b>SV</b> |           |  |                    |           |  |  |
| XRX | 125 Offroad           |        | 07-   | <b>MCB 822</b>      | <b>SV</b> |           |  | <b>MCB 822</b>     |           |  |  |
| GT  | 250 Naked, Comet      |        | 03-   | <b>MCB 822</b>      | <b>SV</b> |           |  | <b>MCB 822</b>     |           |  |  |
| GV  | 250 Aquila            | GV250  | 00-   | <b>MCB 822</b>      | <b>SV</b> |           |  | <b>MCS 855</b>     |           |  |  |
| MS  | 250 3i                | ◀      | 07-   | <b>MCB 582 SRM</b>  |           |           |  | <b>MCB 582 SRM</b> |           |  |  |
| MS  | 250 3i                | ▶      |       | <b>MCB 615 SRM</b>  |           |           |  |                    |           |  |  |
| TE  | 400                   |        | 05-06 | <b>MCB 510 SI *</b> |           |           |  |                    |           |  |  |
| TE  | 450                   |        | 06-   | <b>MCB 510 SI *</b> |           |           |  | <b>MCB 626 SI</b>  |           |  |  |
| GT  | 650 Naked             |        | 03-   | <b>MCB 822</b>      | <b>SV</b> |           |  | <b>MCB 822</b>     |           |  |  |
| GT  | 650 R, X, TTC         |        | 03-   | <b>MCB 822</b>      | <b>SV</b> |           |  | <b>MCB 822</b>     |           |  |  |
| GV  | 650 Aquila            |        | 04-05 | <b>MCB 822</b>      | <b>SV</b> |           |  | <b>MCB 731</b>     |           |  |  |
| GV  | 650 Aquila            |        | 06-   | <b>MCB 822</b>      | <b>SV</b> |           |  | <b>MCB 822</b>     |           |  |  |
| ST  | 700                   |        | 11-   | <b>MCB 703</b>      | <b>SV</b> |           |  | <b>MCB 822</b>     |           |  |  |

## Italjet

|  |                  |        |       |                |           |           |  |                |           |           |  |
|--|------------------|--------|-------|----------------|-----------|-----------|--|----------------|-----------|-----------|--|
|  | 50 Dragster      | DRG    | 98-   | <b>MCB 535</b> | <b>EC</b> | <b>SR</b> |  | <b>MCB 535</b> | <b>EC</b> | <b>SR</b> |  |
|  | 50 Formula       | FR 50  | 94-96 | <b>MCB 651</b> | <b>EC</b> |           |  | <b>MCB 696</b> | <b>EC</b> | <b>SR</b> |  |
|  | 50 Formula Air   | FRH1BS | 99-   | <b>MCB 535</b> | <b>EC</b> | <b>SR</b> |  | <b>MCS 921</b> |           |           |  |
|  | 50 Formula L.C.  | FRH    | 98-   | <b>MCB 535</b> | <b>EC</b> | <b>SR</b> |  | <b>MCB 535</b> | <b>EC</b> | <b>SR</b> |  |
|  | 50 .it           |        | 09-   | <b>MCB 615</b> |           |           |  |                |           |           |  |
|  | 50 Jet-Set       | TP     | 02-   | <b>MCB 735</b> | <b>EC</b> |           |  | <b>MCS 994</b> |           |           |  |
|  | 50 Pit Jet       |        | 07-09 | <b>MCB 844</b> |           |           |  | <b>MCB 844</b> |           |           |  |
|  | 50 Rollercraft   |        | 08-   | <b>MCB 822</b> | <b>SV</b> |           |  | <b>MCB 663</b> | <b>EC</b> |           |  |
|  | 50 Torpedo, 4T   | TP     | 99-   | <b>MCB 535</b> | <b>EC</b> | <b>SR</b> |  | <b>MCS 921</b> |           |           |  |
|  | 50 Velocifero    |        | 98-   | <b>MCB 735</b> | <b>EC</b> |           |  | <b>MCS 921</b> |           |           |  |
|  | 100 Millenium 2T | FC     | 01-   | <b>MCB 519</b> | <b>EC</b> | <b>SR</b> |  | <b>MCS 968</b> |           |           |  |
|  | 125 Amarcord     |        | 08-   | <b>MCB 665</b> | <b>EC</b> |           |  |                |           |           |  |



### → ITALJET

|     |           |        |       |                |            |           |                |            |           |
|-----|-----------|--------|-------|----------------|------------|-----------|----------------|------------|-----------|
| 125 | Dragster  | DR5010 | 00-03 | <b>MCB 535</b> | <b>EC</b>  | <b>SR</b> | <b>MCB 535</b> | <b>EC</b>  | <b>SR</b> |
| 125 | Dragster  | DR5010 | 97-99 | <b>MCB 535</b> | <b>EC</b>  | <b>SR</b> | <b>MCS 994</b> |            |           |
| 125 | Formula   |        | 97-   | <b>MCB 535</b> | <b>EC</b>  | <b>SR</b> | <b>MCB 535</b> | <b>EC</b>  | <b>SR</b> |
| 125 | Formula   |        | 94-96 | <b>MCB 651</b> | <b>EC</b>  | <b>SR</b> | <b>MCB 696</b> | <b>EC</b>  | <b>SR</b> |
| 125 | Jack      |        | 07-   | <b>MCB 746</b> | <b>SRM</b> |           | <b>MCB 746</b> | <b>SRM</b> |           |
| 125 | Jet-Set   | JK     | 02-   | <b>MCB 735</b> | <b>EC</b>  |           | <b>MCS 994</b> |            |           |
| 125 | Jupiter   | JC     | 02-   | <b>MCB 666</b> | <b>SRM</b> |           | <b>MCB 699</b> | <b>SRM</b> |           |
| 125 | Millenium | FC     | 00-   | <b>MCB 519</b> | <b>EC</b>  | <b>SR</b> | <b>MCS 968</b> |            |           |
| 125 | Pit Jet   |        | 07-   | <b>MCB 844</b> |            |           | <b>MCB 844</b> |            |           |
| 125 | Torpedo   | TP     | 99-   | <b>MCB 535</b> | <b>EC</b>  | <b>SR</b> | <b>MCS 994</b> |            |           |
| 125 | Torpedo   |        | 07-   | <b>MCB 822</b> |            |           | <b>MCB 663</b> |            |           |
| 150 | Jupiter   | JC     | 02-   | <b>MCB 666</b> | <b>SRM</b> |           | <b>MCB 699</b> | <b>SRM</b> |           |
| 150 | Torpedo   |        | 08-   | <b>MCB 822</b> |            |           | <b>MCB 663</b> | <b>SRM</b> | <b>EC</b> |
| 180 | Dragster  | DR5810 | 98-   | <b>MCB 535</b> | <b>EC</b>  | <b>SR</b> | <b>MCB 535</b> | <b>EC</b>  | <b>SR</b> |
| 250 | Jupiter   | JC     | 02-   | <b>MCB 666</b> | <b>SRM</b> |           | <b>MCB 796</b> |            |           |
| 250 | Dragster  |        | 07-   | <b>MCB 535</b> | <b>EC</b>  | <b>SR</b> | <b>MCB 535</b> | <b>EC</b>  | <b>SR</b> |
| 650 | Bazooka   |        | 06-   | <b>MCB 822</b> | <b>SV</b>  |           | <b>MCB 822</b> |            |           |
| 650 | Grifon    |        | 06-   | <b>MCB 822</b> | <b>SV</b>  |           | <b>MCB 822</b> |            |           |
| 900 | Grifon    |        | 00-   | <b>MCB 540</b> | <b>SV</b>  |           |                |            |           |

### Jawa

|    |     |               |     |                |           |           |  |  |  |
|----|-----|---------------|-----|----------------|-----------|-----------|--|--|--|
| D  | 50  | Mosquito      | 97- | <b>MCB 674</b> | <b>EC</b> | <b>SR</b> |  |  |  |
|    | 50  |               | 94- | <b>MCB 676</b> |           |           |  |  |  |
|    | 125 | Butterfly     | 98- | <b>MCB 676</b> |           |           |  |  |  |
|    | 250 | Enduro 593    | 93- | <b>MCB 676</b> |           |           |  |  |  |
|    | 280 | City Enduro   |     | <b>MCB 676</b> |           |           |  |  |  |
|    | 280 | Enduro Sport  |     | <b>MCB 676</b> |           |           |  |  |  |
|    | 350 | Chopper 639-2 | 93- | <b>MCB 676</b> |           |           |  |  |  |
|    | 350 | Sport         | 93- | <b>MCB 676</b> |           |           |  |  |  |
|    | 350 | Style         | 93- | <b>MCB 676</b> |           |           |  |  |  |
| TS | 350 | /3.30         |     | <b>MCB 676</b> |           |           |  |  |  |
|    | 593 | City Enduro   |     | <b>MCB 676</b> |           |           |  |  |  |
|    | 593 | Enduro Sport  |     | <b>MCB 676</b> |           |           |  |  |  |
|    | 640 | Sport         | 93- | <b>MCB 676</b> |           |           |  |  |  |
|    | 640 | Style         | 93- | <b>MCB 676</b> |           |           |  |  |  |

### Jack Fox (Benzhou)

|    |    |                                |  |                |           |  |                |  |  |
|----|----|--------------------------------|--|----------------|-----------|--|----------------|--|--|
| YY | 50 | QT                             |  | <b>MCB 590</b> | <b>EC</b> |  | <b>MCS 800</b> |  |  |
|    | 50 | City Star, Retro Star, Formula |  | <b>MCB 590</b> | <b>EC</b> |  | <b>MCS 800</b> |  |  |

### Jonway (Benzhou)

|    |     |          |     |                |            |  |                |            |  |
|----|-----|----------|-----|----------------|------------|--|----------------|------------|--|
| YY | 50  | /80 QT   | 07- | <b>MCB 822</b> |            |  | <b>MCB 822</b> |            |  |
| YY | 125 | /150/250 | 07- | <b>MCB 615</b> | <b>SRM</b> |  | <b>MCB 615</b> | <b>SRM</b> |  |
| YY | 150 | /250 T   | 08- | <b>MCB 822</b> |            |  | <b>MCB 822</b> |            |  |

### Kawara

|  |    |             |       |                |           |  |  |  |  |
|--|----|-------------|-------|----------------|-----------|--|--|--|--|
|  | 50 | /90 Fever   | 90-99 | <b>MCB 590</b> | <b>EC</b> |  |  |  |  |
|  | 50 | /90 Stinger | 90-99 | <b>MCB 590</b> | <b>EC</b> |  |  |  |  |

### Kawasaki

|     |     |             |       |                   |            |            |                   |           |  |
|-----|-----|-------------|-------|-------------------|------------|------------|-------------------|-----------|--|
| AE  | 50  | AE050A      | 81-85 | <b>MCS 854</b>    |            |            | <b>MCS 854</b>    |           |  |
| AR  | 50  | AR050A      | 81-   | <b>MCB 519</b>    | <b>SR</b>  |            | <b>MCS 854</b>    |           |  |
| KX  | 60  |             | 83-99 | <b>MCS 857</b>    |            |            | <b>MCS 857</b>    |           |  |
| KX  | 65  |             | 00-   | <b>MCB 714 SI</b> | <b>EC</b>  |            | <b>MCB 561 SI</b> | <b>EC</b> |  |
| AE  | 80  | AE080A      | 81-85 | <b>MCS 854</b>    |            |            | <b>MCS 854</b>    |           |  |
| AR  | 80  | AR080A      | 81-   | <b>MCB 519</b>    | <b>SR</b>  |            | <b>MCS 854</b>    |           |  |
| KMX | 80  |             | 87-   | <b>MCB 522</b>    |            |            |                   |           |  |
| KX  | 80  |             | 84-87 | <b>MCB 519 SI</b> | <b>EC</b>  |            | <b>MCS 857</b>    |           |  |
| KX  | 80  |             | 88-96 | <b>MCB 519 SI</b> | <b>EC</b>  |            | <b>MCB 561 SI</b> | <b>EC</b> |  |
| KX  | 80  |             | 97-00 | <b>MCB 697 SI</b> | <b>RSI</b> | <b>EC</b>  | <b>MCB 561 SI</b> | <b>EC</b> |  |
| KX  | 85  |             | 01-   | <b>MCB 697 SI</b> | <b>RSI</b> | <b>EC</b>  | <b>MCB 561 SI</b> | <b>EC</b> |  |
| KX  | 100 |             | 97-01 | <b>MCB 697 SI</b> | <b>RSI</b> | <b>EC</b>  | <b>MCB 561 SI</b> | <b>EC</b> |  |
| KLX | 110 |             | 02-   | <b>MCS 857</b>    |            |            | <b>MCS 857</b>    |           |  |
| KDX | 125 |             | 90-   | <b>MCB 519</b>    |            |            | <b>MCB 625 SI</b> |           |  |
| KLX | 125 | L           | 03-06 | <b>MCB 679</b>    | <b>SI</b>  | <b>EC</b>  |                   |           |  |
| KLX | 125 | D-Tracker   | 10-   | <b>MCB 582</b>    | <b>SI</b>  | <b>RSI</b> | <b>MCB 510</b>    | <b>SI</b> |  |
| KLX | 125 | CAF         | 10-   | <b>MCB 582</b>    | <b>SI</b>  | <b>RSI</b> | <b>MCB 510</b>    | <b>SI</b> |  |
| KE  | 125 | K1033,K1048 | 76-85 |                   |            |            | <b>MCS 855</b>    |           |  |
| KH  | 125 | KH125       | 77-80 | <b>MCB 91</b>     |            |            |                   |           |  |
| KH  | 125 | KH125       | 81    | <b>MCB 510</b>    |            |            | <b>MCS 855</b>    |           |  |





→ **KAWASAKI**

|       |     |              |          |       |                    |            |            |            |            |                    |            |           |
|-------|-----|--------------|----------|-------|--------------------|------------|------------|------------|------------|--------------------|------------|-----------|
| KH    | 125 |              | KH125    | 82-   | <b>MCB 523</b>     | <b>SI</b>  |            |            |            | <b>MCS 855</b>     |            |           |
| KMX   | 125 |              | MX125A   | 86    | <b>MCB 519</b>     | <b>SI</b>  | <b>EC</b>  |            |            | <b>MCB 523 SI</b>  |            |           |
| KMX   | 125 |              | MX125A   | 87-89 | <b>MCB 522</b>     |            |            |            |            | <b>MCB 523 SI</b>  |            |           |
| KMX   | 125 |              | MX125B   | 96-98 | <b>MCB 522</b>     |            |            |            |            | <b>MCB 523 SI</b>  |            |           |
| KMX   | 125 |              | MX125B   | 99-02 | <b>MCB 679</b>     | <b>SI</b>  | <b>EC</b>  |            |            | <b>MCB 523 SI</b>  |            |           |
| KX    | 125 |              |          | 74-80 |                    |            |            |            |            | <b>MCS 855</b>     |            |           |
| KX    | 125 |              |          | 81-82 | <b>MCB 519 SI</b>  |            | <b>EC</b>  |            |            | <b>MCS 855</b>     |            |           |
| KX    | 125 |              |          | 83-85 | <b>MCB 523 SI</b>  |            |            |            |            | <b>MCS 854</b>     |            |           |
| KX    | 125 |              |          | 86    | <b>MCB 523 SI</b>  |            |            |            |            | <b>MCB 523 SI</b>  |            |           |
| KX    | 125 |              |          | 87-88 | <b>MCB 573</b>     |            |            |            |            | <b>MCB 523 SI</b>  |            |           |
| KX    | 125 |              |          | 89-93 | <b>MCB 582 SI</b>  | <b>RSI</b> |            |            |            | <b>MCB 625 SI</b>  | <b>RSI</b> |           |
| KX    | 125 |              |          | 94    | <b>MCB 574 SI</b>  | <b>RSI</b> |            |            |            | <b>MCB 625 SI</b>  | <b>RSI</b> |           |
| KX    | 125 |              |          | 95-   | <b>MCB 574 SI</b>  | <b>RSI</b> |            |            |            | <b>MCB 575 SI</b>  | <b>RSI</b> | <b>EC</b> |
| ZL    | 125 | Eliminator   | BN125A   | 97-99 | <b>MCB 510</b>     |            |            |            |            | <b>MCS 855</b>     |            |           |
| ZL    | 125 | Eliminator   | BN125A   | 00-   | <b>MCB 615</b>     | <b>SV</b>  |            |            |            | <b>MCS 855</b>     |            |           |
| KDX   | 175 |              | DX175B   | 81-   |                    |            |            |            |            | <b>MCS 855</b>     |            |           |
| KE    | 175 |              | KE175D   | 79-   |                    |            |            |            |            | <b>MCS 861</b>     |            |           |
| KDX   | 200 |              |          | 90-93 | <b>MCB 582</b>     | <b>SI</b>  |            |            |            | <b>MCB 625 SI</b>  |            |           |
| KMX   | 200 |              | MX200    | 88-90 | <b>MCB 519</b>     | <b>SI</b>  | <b>EC</b>  |            |            | <b>MCB 523 SI</b>  |            |           |
| Z     | 200 |              | KZ200A   | 77-82 | <b>MCB 91</b>      |            |            |            |            | <b>MCS 855</b>     |            |           |
| Z     | 200 |              |          | 83-   | <b>MCB 523</b>     |            |            |            |            | <b>MCS 855</b>     |            |           |
| KLF   | 220 | A1/A14 Bayou |          | 98-01 |                    |            |            |            |            | <b>MCS 853</b>     |            |           |
|       | 250 | Estrella     | BJ250A   | 92-   | <b>MCB 523</b>     |            |            |            |            | <b>MCB 523</b>     |            |           |
|       | 250 | R, Ninja     |          | 08-   | <b>MCB 615</b>     | <b>SV</b>  |            |            |            | <b>MCB 615 SH</b>  |            |           |
| EL    | 250 | Eliminator   | EL250B   | 88-90 | <b>MCB 532</b>     |            |            |            |            | <b>MCS 853</b>     |            |           |
| EL    | 250 | Eliminator   | EL250E   | 91-96 | <b>MCB 532</b>     |            |            |            |            | <b>MCS 853</b>     |            |           |
| GPZ   | 250 |              | EX250C   | 83-84 | <b>MCB 523</b>     | *          |            |            |            | <b>MCS 853</b>     |            |           |
| GPZ   | 250 |              | EX250D   | 85-   | <b>MCB 523</b>     | *          |            |            |            | <b>MCB 532</b>     |            |           |
| KH    | 250 |              | KH250B   | 76-78 | <b>MCB 79</b>      |            |            |            |            |                    |            |           |
| KL    | 250 |              | KL250A   | 80-82 |                    |            |            |            |            | <b>MCS 861</b>     |            |           |
| KLR   | 250 |              | KL250D   | 85-96 | <b>MCB 523</b>     | <b>SI</b>  |            |            |            | <b>MCS 861</b>     |            |           |
| KLX   | 250 |              | LX250B   | -92   |                    |            |            |            |            | <b>MCS 855</b>     |            |           |
| KLX   | 250 | R            | LX250E   | 93-   | <b>MCB 669</b>     | <b>SI</b>  | <b>RSI</b> | <b>EC</b>  |            | <b>MCB 625 SI</b>  |            |           |
| KLX   | 250 | M            |          | 09-   | <b>MCB 582</b>     | <b>SV</b>  | <b>SI</b>  | <b>RSI</b> |            | <b>MCB 575 SI</b>  | <b>RSI</b> | <b>EC</b> |
| KR-1  | 250 |              | KR250A   | 88    | <b>MCB 586</b>     | <b>SV</b>  |            |            |            | <b>MCB 586</b>     |            |           |
| KR-1  | 250 |              | KR250B2  | 89    | <b>MCB 586</b>     | *          | <b>SV</b>  |            |            | <b>MCB 586</b>     |            |           |
| KR-1S | 250 |              | KR250C2  | 90-   | <b>MCB 602</b>     | *          | <b>SV</b>  | <b>SRQ</b> | <b>CRQ</b> | <b>MCB 586</b>     |            |           |
| KX    | 250 |              |          | 81-82 | <b>MCB 519 SI</b>  |            |            |            |            | <b>MCS 855</b>     |            |           |
| KX    | 250 |              |          | 83-85 | <b>MCB 523 SI</b>  |            |            |            |            | <b>MCS 855</b>     |            |           |
| KX    | 250 |              |          | 86    | <b>MCB 523 SI</b>  |            |            |            |            | <b>MCB 523 SI</b>  |            |           |
| KX    | 250 |              |          | 87-88 | <b>MCB 573</b>     |            |            |            |            | <b>MCB 523 SI</b>  |            |           |
| KX    | 250 |              |          | 89-93 | <b>MCB 582 SI</b>  | <b>RSI</b> |            |            |            | <b>MCB 625 SI</b>  | <b>RSI</b> |           |
| KX    | 250 |              |          | 94    | <b>MCB 669 SI</b>  | <b>RSI</b> | <b>EC</b>  |            |            | <b>MCB 625 SI</b>  | <b>RSI</b> |           |
| KX    | 250 |              |          | 95-04 | <b>MCB 669 SI</b>  | <b>RSI</b> | <b>EC</b>  |            |            | <b>MCB 575 SI</b>  | <b>RSI</b> | <b>EC</b> |
| KX-F  | 250 | DFI          |          | 04-   | <b>MCB 669 SI</b>  | <b>RSI</b> | <b>EC</b>  |            |            | <b>MCB 739 SI</b>  | <b>RSI</b> | <b>EC</b> |
| SC    | 250 | Epsilon      |          | 02-   | <b>MCB 706 SRM</b> |            |            |            |            | <b>MCB 746 SRM</b> | <b>EC</b>  |           |
| Z     | 250 | A1,A2        | KZ250A   | 79-81 | <b>MCB 79</b>      |            |            |            |            | <b>MCB 531</b>     |            |           |
| Z     | 250 | A3           | KZ250A   | 81    | <b>MCB 516</b>     |            |            |            |            | <b>MCB 531</b>     |            |           |
| Z     | 250 | B1/B2        | KZ250B   | 80-83 |                    |            |            |            |            | <b>MCS 853</b>     |            |           |
| Z     | 250 | C1/C2/G1/G2  | KZ250C,G | 81-83 |                    |            |            |            |            | <b>MCS 855</b>     |            |           |
| EL    | 252 |              | EL250F   | 97-00 | <b>MCB 532</b>     |            |            |            |            | <b>MCS 853</b>     |            |           |
| EL    | 252 |              | EL250F   | 01-   | <b>MCB 582</b>     |            |            |            |            | <b>MCS 853</b>     |            |           |
| KEF   | 300 | B            |          | 03-   | <b>MCB 560 SI</b>  | *          |            |            |            | <b>MCB 561 SI</b>  | <b>EC</b>  |           |
| KLF   | 300 | B1-B13 Bayou |          | 88-   | <b>MCB 523 SI</b>  | *          |            |            |            | <b>MCS 853</b>     |            |           |
| KLF   | 300 | C1-C12 Bayou | ◀        | 89-   | <b>MCB 582 SI</b>  |            | <b>SV</b>  |            |            | <b>MCS 892</b>     |            |           |
| KLF   | 300 | C1-C12 Bayou | ▶        | 89-   | <b>MCB 615 SI</b>  |            | <b>SV</b>  |            |            |                    |            |           |
| KLX   | 300 | R            | LX300    | 97-   | <b>MCB 669</b>     | <b>SI</b>  | <b>RSI</b> | <b>EC</b>  |            | <b>MCB 575 SI</b>  | <b>RSI</b> | <b>EC</b> |
| GPZ   | 305 |              | EX305B   | 84-89 | <b>MCB 523</b>     | *          |            |            |            | <b>MCS 853</b>     |            |           |
|       | 400 | Ninja R      | ◀        | 11-   | <b>MCB 682</b>     |            | <b>SV</b>  |            |            | <b>MCB 662</b>     | <b>SH</b>  |           |
|       | 400 | Ninja R      | ▶        | 11-   | <b>MCB 681</b>     |            | <b>SV</b>  |            |            |                    |            |           |
| GPZ   | 400 | R            | KZ400J   | 83-84 | <b>MCB 515</b>     | *          |            |            |            | <b>MCB 516</b>     |            |           |
| GPZ   | 400 | R            | ZX400A   | 85-88 | <b>MCB 523</b>     | *          |            |            |            | <b>MCB 532</b>     |            |           |
| GPZ   | 400 | R            |          | 89-   | <b>MCB 586</b>     | *          | <b>SV</b>  |            |            | <b>MCB 569</b>     | <b>SH</b>  |           |
| GPX   | 400 | R            | ZX400F   | 87-   | <b>MCB 586</b>     | *          | <b>SV</b>  |            |            | <b>MCB 569</b>     | <b>SH</b>  |           |
| KH    | 400 |              | S3F      | 76-81 | <b>MCB 79</b>      |            |            |            |            |                    |            |           |
| KLF   | 400 | B1-B7 Bayou  | ◀        | 93-99 | <b>MCB 582 SI</b>  |            |            |            |            | <b>MCS 892</b>     |            |           |
| KLF   | 400 | B1-B7 Bayou  | ▶        | 93-99 | <b>MCB 615 SI</b>  |            |            |            |            |                    |            |           |
| KLX   | 400 | R            |          | 03-   | <b>MCB 669</b>     | <b>SI</b>  | <b>RSI</b> | <b>EC</b>  |            | <b>MCB 575 SI</b>  | <b>RSI</b> | <b>EC</b> |
| KSF   | 400 |              | KFX 400  | 03-   | <b>MCB 554 SI</b>  | *          |            |            |            | <b>MCB 626 SI</b>  |            |           |







→ KAWASAKI

|       |     |                     |          |       |                     |            |            |            |  |  |                   |            |           |
|-------|-----|---------------------|----------|-------|---------------------|------------|------------|------------|--|--|-------------------|------------|-----------|
| KVF   | 400 | A1, A2, B1 Prairie  | VF400A   | 97-98 | <b>MCB 510 SI *</b> |            |            |            |  |  | <b>MCS 892</b>    |            |           |
| KVF   | 400 | C1, C2 Prairie 4x4  | VF400C   | 99-   | <b>MCB 510 SI *</b> |            |            |            |  |  | <b>MCS 892</b>    |            |           |
| KVF   | 400 | D1, D2 Prairie 2x4  | VF400D   | 99-   | <b>MCB 510 SI *</b> |            |            |            |  |  | <b>MCS 892</b>    |            |           |
| Z     | 400 | B1/B2               | K4B      | 78-80 | <b>MCB 506</b>      |            |            |            |  |  | <b>MCS 853</b>    |            |           |
| Z     | 400 | G1                  | K4G      | 79    | <b>MCB 79</b>       |            |            |            |  |  | <b>MCS 852</b>    |            |           |
| Z     | 400 | J1                  | KZ400J   | 80    | <b>MCB 79</b>       |            |            |            |  |  | <b>MCS 852</b>    |            |           |
| Z     | 400 | J2/J3               | KZ400J   | 81-83 | <b>MCB 515 *</b>    |            |            |            |  |  | <b>MCS 852</b>    |            |           |
| Z     | 400 | F                   | ZR400A/B | 83-84 | <b>MCB 523</b>      |            |            |            |  |  | <b>MCS 853</b>    |            |           |
| Z     | 400 | F2                  | ZR400C   | 85-87 | <b>MCB 523</b>      |            |            |            |  |  | <b>MCS 853</b>    |            |           |
| ZR    | 400 | D                   | ZR400D   | 92-95 | <b>MCB 586</b>      |            |            |            |  |  | <b>MCB 519</b>    |            |           |
| ZR    | 400 | G                   | ZR400G   | 96-01 | <b>MCB 602 *</b>    | <b>SV</b>  |            |            |  |  | <b>MCB 662</b>    | <b>SH</b>  |           |
| ZRX   | 400 |                     | ZR400E   | 94-95 | <b>MCB 569</b>      | <b>SV</b>  |            |            |  |  | <b>MCB 662</b>    | <b>SH</b>  |           |
| ZRX   | 400 | ←                   | ZR400E   | 96-97 | <b>MCB 682</b>      | <b>SV</b>  |            |            |  |  | <b>MCB 662</b>    | <b>SH</b>  |           |
| ZRX   | 400 | →                   | ZR400E   | 96-97 | <b>MCB 681</b>      | <b>SV</b>  |            |            |  |  |                   |            |           |
| ZRX   | 400 |                     | ZR400E   | 98-01 |                     |            |            |            |  |  |                   |            |           |
| ZXR   | 400 |                     | ZX400R   | 89-90 | <b>MCB 602 *</b>    | <b>SV</b>  | <b>SRQ</b> | <b>CRQ</b> |  |  | <b>MCB 531</b>    | <b>SH</b>  |           |
| ZXR   | 400 |                     | ZX400L   | 91-01 | <b>MCB 643 *</b>    | <b>SRQ</b> |            |            |  |  | <b>MCB 531</b>    | <b>SH</b>  |           |
| Z     | 440 |                     | KZ440C   | 80-81 | <b>MCB 79</b>       |            |            |            |  |  | <b>MCS 853</b>    |            |           |
| Z     | 440 |                     | KZ440H   | 82-83 | <b>MCB 516</b>      |            |            |            |  |  | <b>MCS 853</b>    |            |           |
| Z     | 440 | LTD                 | KZ440A   | 80-81 | <b>MCB 79</b>       |            |            |            |  |  | <b>MCS 853</b>    |            |           |
| Z     | 440 | LTD                 | KZ440D   | 82-   | <b>MCB 516</b>      |            |            |            |  |  | <b>MCS 853</b>    |            |           |
| KFX   | 450 |                     |          | 07-   | <b>MCB 757 SI</b>   | <b>RSI</b> |            |            |  |  | <b>MCB 561</b>    | <b>SI</b>  | <b>EC</b> |
| KFX   | 450 |                     |          | 07-   | <b>MCB 758 SI</b>   | <b>RSI</b> |            |            |  |  |                   |            |           |
| KLX   | 450 | R                   |          | 07-   | <b>MCB 669 SI</b>   | <b>RSI</b> | <b>EC</b>  |            |  |  | <b>MCB 739 SI</b> | <b>RSI</b> | <b>EC</b> |
| KX-F  | 450 |                     |          | 04-08 | <b>MCB 669 SI</b>   | <b>RSI</b> | <b>EC</b>  |            |  |  | <b>MCB 739 SI</b> | <b>RSI</b> | <b>EC</b> |
| KX-F  | 450 | Efi                 |          | 09-   | <b>MCB 669 SI</b>   | <b>RSI</b> | <b>EC</b>  |            |  |  | <b>MCB 739 SI</b> | <b>RSI</b> | <b>EC</b> |
| Z     | 450 | LTD                 | EN450A   | 84-89 | <b>MCB 532</b>      |            |            |            |  |  | <b>MCS 852</b>    |            |           |
| EN    | 500 |                     | EN500A   | 90-91 | <b>MCB 532</b>      |            |            |            |  |  | <b>MCS 853</b>    |            |           |
| EN    | 500 |                     | EN500B   | 92-96 | <b>MCB 532</b>      |            |            |            |  |  | <b>MCS 852</b>    |            |           |
| EN    | 500 |                     | EN500C   | 97-   | <b>MCB 532</b>      |            |            |            |  |  | <b>MCS 852</b>    |            |           |
| ER-5  | 500 | Twister             | ER500A/B | 97-00 | <b>MCB 569</b>      | <b>SV</b>  |            |            |  |  | <b>MCS 853</b>    |            |           |
| ER-5  | 500 | Twister             | ER500C/D | 01-   | <b>MCB 682</b>      | <b>SV</b>  |            |            |  |  | <b>MCS 853</b>    |            |           |
| GPZ   | 500 | S, American Version | EX500A   | 87-93 | <b>MCB 569</b>      | <b>SV</b>  |            |            |  |  | <b>MCS 853</b>    |            |           |
| GPZ   | 500 | S                   | EX500B   | 88-93 | <b>MCB 523 *</b>    |            |            |            |  |  | <b>MCS 853</b>    |            |           |
| GPZ   | 500 | S                   | EX500D   | 94-01 | <b>MCB 586</b>      | <b>SV</b>  |            |            |  |  | <b>MCB 519</b>    |            |           |
| GPZ   | 500 | S                   | EX500E   | 95-04 | <b>MCB 586 *</b>    | <b>SV</b>  |            |            |  |  | <b>MCB 523</b>    |            |           |
| KH    | 500 |                     | H1F      | 76-79 | <b>MCB 79</b>       |            |            |            |  |  |                   |            |           |
| KLE   | 500 |                     | LE500A   | 91-04 | <b>MCB 569</b>      | <b>SV</b>  |            |            |  |  | <b>MCB 523</b>    |            |           |
| KX    | 500 |                     |          | 83-85 | <b>MCB 523 SI</b>   |            |            |            |  |  | <b>MCS 855</b>    |            |           |
| KX    | 500 |                     |          | 86    | <b>MCB 523 SI</b>   |            |            |            |  |  | <b>MCB 523 SI</b> |            |           |
| KX    | 500 |                     |          | 87-88 | <b>MCB 573</b>      |            |            |            |  |  | <b>MCB 523 SI</b> |            |           |
| KX    | 500 |                     |          | 89-93 | <b>MCB 582 SI</b>   | <b>RSI</b> |            |            |  |  | <b>MCB 625 SI</b> | <b>RSI</b> |           |
| KX    | 500 |                     |          | 94-01 | <b>MCB 669 SI</b>   | <b>RSI</b> | <b>EC</b>  |            |  |  | <b>MCB 625 SI</b> | <b>RSI</b> |           |
| Z     | 500 |                     | KZ500B   | 79-80 | <b>MCB 79 *</b>     |            |            |            |  |  | <b>MCB 73</b>     |            |           |
| Z     | 500 |                     | KZ500B   | 81-83 | <b>MCB 515</b>      |            |            |            |  |  | <b>MCB 516</b>    |            |           |
| GPZ   | 550 |                     | ZX550A   | 84-89 | <b>MCB 532 *</b>    |            |            |            |  |  | <b>MCB 532</b>    |            |           |
| GT    | 550 |                     | KZ550G   | 83-90 | <b>MCB 523 *</b>    |            |            |            |  |  | <b>MCS 852</b>    |            |           |
| Z     | 550 |                     | KZ550B   | 81-82 | <b>MCB 515 *</b>    |            |            |            |  |  | <b>MCB 516</b>    |            |           |
| Z     | 550 | F                   | KZ550B   | 83-84 | <b>MCB 523 *</b>    |            |            |            |  |  | <b>MCS 853</b>    |            |           |
| Z     | 550 | F                   | KZ550B   | 85-   | <b>MCB 532 *</b>    |            |            |            |  |  | <b>MCS 852</b>    |            |           |
| Z     | 550 | GP                  | KZ550D   | 81    | <b>MCB 515 *</b>    |            |            |            |  |  | <b>MCB 516</b>    |            |           |
| Z     | 550 | GP                  | KZ550H   | 82-83 | <b>MCB 515 *</b>    |            |            |            |  |  | <b>MCB 516</b>    |            |           |
| Z     | 550 | LTD                 | KZ550C   | 80-82 | <b>MCB 515</b>      |            |            |            |  |  | <b>MCS 852</b>    |            |           |
| ZR    | 550 |                     | KZ550A   | 83-90 | <b>MCB 523 *</b>    |            |            |            |  |  | <b>MCS 853</b>    |            |           |
| ZR    | 550 | Zephyr              | ZR550B   | 91-92 | <b>MCB 569 *</b>    | <b>SV</b>  |            |            |  |  | <b>MCB 586</b>    |            |           |
| ZR    | 550 | Zephyr              | ZR550B   | 93-95 | <b>MCB 586 *</b>    | <b>SV</b>  |            |            |  |  | <b>MCB 662</b>    | <b>SH</b>  |           |
| ZR    | 550 | Zephyr              | ZR550B   | 96-99 | <b>MCB 569 *</b>    | <b>SV</b>  |            |            |  |  | <b>MCB 662</b>    | <b>SH</b>  |           |
| GPX   | 600 | R                   | ZX600C   | 88-99 | <b>MCB 569 *</b>    | <b>SV</b>  |            |            |  |  | <b>MCB 569</b>    | <b>SH</b>  |           |
| GPZ   | 600 | R                   | ZX600A   | 85-89 | <b>MCB 532 *</b>    |            |            |            |  |  | <b>MCB 532</b>    |            |           |
| KLR   | 600 |                     | KL600A   | 84    | <b>MCB 523</b>      | <b>SI</b>  |            |            |  |  | <b>MCS 855</b>    |            |           |
| KLR   | 600 |                     | KL600B   | 85-89 | <b>MCB 523</b>      | <b>SI</b>  |            |            |  |  | <b>MCS 855</b>    |            |           |
| ZL    | 600 | Eliminator          | ZL600A   | 86-94 | <b>MCB 532</b>      |            |            |            |  |  | <b>MCS 852</b>    |            |           |
| ZL    | 600 | Eliminator          | ZL600B   | 95-97 | <b>MCB 569</b>      | <b>SV</b>  |            |            |  |  | <b>MCS 853</b>    |            |           |
| ZX-6R | 600 | Ninja               | ZX600F   | 94-97 | <b>MCB 602 SV *</b> | <b>SRQ</b> | <b>CRQ</b> |            |  |  | <b>MCB 662</b>    | <b>SH</b>  |           |
| ZX-6R | 600 | Ninja               | ZX600G   | 98    | <b>MCB 659 SV *</b> | <b>SRQ</b> | <b>CRQ</b> |            |  |  | <b>MCB 662</b>    | <b>SH</b>  |           |
| ZX-6R | 600 | Ninja               | ZX600H   | 98-01 | <b>MCB 659 SV *</b> | <b>SRQ</b> | <b>CRQ</b> |            |  |  | <b>MCB 662</b>    | <b>SH</b>  |           |
| ZX-6R | 600 | Ninja               | ZX636A   | 02    | <b>MCB 659 SV *</b> | <b>SRQ</b> | <b>CRQ</b> |            |  |  | <b>MCB 662</b>    | <b>SH</b>  |           |
| ZX-6R | 600 | Ninja               | ZX636B   | 03-04 | <b>MCB 742 SV *</b> | <b>SRQ</b> | <b>CRQ</b> | <b>SCR</b> |  |  | <b>MCB 662</b>    | <b>SH</b>  |           |
| ZX-6R | 600 | Ninja               | ZX636C   | 05-06 | <b>MCB 742 SV *</b> | <b>SRQ</b> | <b>CRQ</b> | <b>SCR</b> |  |  | <b>MCB 662</b>    | <b>SH</b>  |           |





→ KAWASAKI

|        |     |                  |   |            |       |              |     |     |     |            |    |
|--------|-----|------------------|---|------------|-------|--------------|-----|-----|-----|------------|----|
| ZX-6R  | 600 | Ninja            | 4 | ZX600P     | 07-   | MCB 789 SV * | SRQ | CRQ | SCR | MCB 662    | SH |
| ZX-6RR | 600 | Ninja            | 4 | ZX600K     | 03-06 | MCB 742 SV * | SRQ | CRQ | SCR | MCB 662    | SH |
| ZZR    | 600 | D                |   | ZX600D     | 90-92 | MCB 602 *    | SV  | SRQ | CRQ | MCB 569    | SH |
| ZZR    | 600 | E                |   | ZX600E     | 93-04 | MCB 602 *    | SV  | SRQ | CRQ | MCB 662    | SH |
| ER-6   | 650 | F, N,            | → | EX650A     | 06-   | MCB 681      | SV  | SRQ |     | MCB 662    | SH |
| ER-6   | 650 | F, N,            | ← | ER650A     | 06-   | MCB 682      | SV  | SRQ |     |            |    |
| KLE    | 650 | Versys           | ← | LE650A     | 07-   | MCB 682      | SV  | SRQ |     | MCB 662    | SH |
| KLE    | 650 | Versys           | → | LE650A     | 07-   | MCB 681      | SV  | SRQ |     |            |    |
| KLR    | 650 |                  |   | KL650A     | 87-88 | MCB 573      |     |     |     | MCB 523    |    |
| KLR    | 650 | Tengai           |   | KL650B     | 89-94 | MCB 569      | SV  |     |     | MCB 523    |    |
| KLR    | 650 |                  |   | KL650C     | 95-04 | MCB 682      | SV  |     |     | MCB 523    |    |
| KLX    | 650 |                  |   | KLX650C    | 93-96 | MCB 669      | SI  | RSI | EC  | MCB 625 SI |    |
| KVF    | 650 |                  | ← | VF650A     | 01-   | MCB 757 SI   |     |     |     |            |    |
| KVF    | 650 |                  | → |            | 01-   | MCB 758 SI   |     |     |     |            |    |
| KVF    | 650 | Brute Force 4x4i | ← |            | 05-   | MCB 582 SI   |     |     |     |            |    |
| KVF    | 650 | Brute Force 4x4i | → |            | 05-   | MCB 615 SI   |     |     |     |            |    |
| W      | 650 | A, C             |   | EJ650A/B/C | 99-05 | MCB 681      | SV  |     |     | MCS 853    |    |
| Z      | 650 |                  |   | KZ650C     | 78-79 | MCB 79 *     |     |     |     |            |    |
| Z      | 650 |                  |   | KZ650D     | 79-80 | MCB 79 *     |     |     |     | MCB 73     |    |
| Z      | 650 |                  |   | KZ650F     | 77-79 | MCB 79 *     |     |     |     | MCS 852    |    |
| Z      | 650 |                  |   | KZ650F     | 80-83 | MCB 515 *    |     |     |     | MCS 852    |    |
| KFX    | 700 | V-Force          | ← | ZR         | 04-   | MCB 757 SI   |     |     |     |            |    |
| KFX    | 700 | V-Force          | → | SV700A     | 04-   | MCB 758 SI   |     |     |     |            |    |
| KSV    | 700 | V-Force          | ← |            | 04-   | MCB 757 SI   |     |     |     |            |    |
| KSV    | 700 | V-Force          | → |            | 04-   | MCB 758 SI   |     |     |     |            |    |
| KVF    | 700 | Prairie          | ← |            | 04-   | MCB 757 SI   |     |     |     |            |    |
| KVF    | 700 | Prairie          | → |            | 04-   | MCB 758 SI   |     |     |     |            |    |
| GPX    | 750 | R                |   | ZX750F     | 87-   | MCB 569 *    | SV  |     |     | MCB 569    | SH |
| GPZ    | 750 | UT (Uni-Trak)    |   | ZX750A     | 83-85 | MCB 532 *    |     |     |     | MCB 532    |    |
| GPZ    | 750 | R                |   | ZX750G     | 85-86 | MCB 532 *    |     |     |     | MCB 532    |    |
| GPZ    | 750 | Turbo            |   | ZX750E     | 84-85 | MCB 532      |     |     |     | MCB 532    |    |
| GT     | 750 | P                |   | KZ750P     | 82-   | MCB 515 *    |     |     |     | MCB 516    |    |
| KRF    | 750 |                  | ← |            | 08-   | MCB 582 SI   |     |     |     |            |    |
| KRF    | 750 |                  | → |            | 08-   | MCB 615 SI   |     |     |     |            |    |
| KVF    | 750 | Brute Force 4x4i | ← |            | 05-   | MCB 582 SI   |     |     |     |            |    |
| KVF    | 750 | Brute Force 4x4i | → |            | 05-   | MCB 615 SI   |     |     |     |            |    |
| VN     | 750 | A                |   | VN750A     | 86-95 | MCB 532      |     |     |     | MCS 852    |    |
| Z      | 750 | B                |   | KZ750B     | 76-79 | MCB 79       |     |     |     |            |    |
| Z      | 750 | E                |   | KZ750E     | 80-81 | MCB 515 *    |     |     |     | MCB 516    |    |
| Z      | 750 | L                |   | KZ750E     | 81-82 | MCB 515 *    |     |     |     | MCB 516    |    |
| Z      | 750 | L                |   | KZ750R     | 83-   | MCB 515 *    |     |     |     | MCB 516    |    |
| Z      | 750 | GP R             |   | KZ750R     | 82    | MCB 515 *    |     |     |     | MCB 532    |    |
| Z      | 750 | GP A (Uni-Trak)  |   | ZX750A     | 83-84 | MCB 532 *    |     |     |     | MCB 532    |    |
| Z      | 750 | H, LTD           |   | KZ750H     | 80-82 | MCB 79 *     |     |     |     | MCS 852    |    |
| Z      | 750 | Y, LTD           |   | KZ750Y     | 82-   | MCB 515 *    |     |     |     | MCS 852    |    |
| Z      | 750 | K, LTD           |   | KZ750K     | 83-   | MCB 516 *    |     |     |     | MCS 852    |    |
| Z      | 750 | , S              | → | ZR750J     | 04-06 | MCB 681      | SV  | SRQ |     | MCB 662    | SH |
| Z      | 750 | , S              | ← | ZR750J     | 04-06 | MCB 682      | SV  | SRQ |     |            |    |
| Z      | 750 | , ABS            |   | ZR750L     | 07-   | MCB 598 *    | SV  | SRQ |     | MCB 634    | SH |
| Z      | 750 | R                | 4 |            | 11-   | MCB 742 SV * |     |     |     | MCB 634    | SH |
| ZR     | 750 | Zephyr           |   | ZR750C     | 91-95 | MCB 569 *    | SV  |     |     | MCB 569    | SH |
| ZR     | 750 | Zephyr           | → | ZR750D     | 96-99 | MCB 681      | SV  |     |     | MCB 569    | SH |
| ZR     | 750 | Zephyr           | ← | ZR750D     | 96-99 | MCB 682      | SV  |     |     |            |    |
| ZR-7   | 750 |                  | → | ZR750F     | 99-04 | MCB 681      | SV  | SRQ |     | MCB 681    | SH |
| ZR-7   | 750 |                  | ← | ZR750F     | 99-04 | MCB 682      | SV  | SRQ |     |            |    |
| ZR-7S  | 750 |                  | → | ZR750F     | 01-03 | MCB 681      | SV  | SRQ |     | MCB 681    | SH |
| ZR-7S  | 750 |                  | ← | ZR750F     | 01-03 | MCB 682      | SV  | SRQ |     |            |    |
| ZX     | 750 | A1, E, GP        |   | ZX750E     | 84-85 | MCB 532 *    |     |     |     | MCB 532    |    |
| ZX-7R  | 750 | P Ninja          |   | ZX750P     | 96-02 | MCB 659 *    | SV  | SRQ | CRQ | MCB 531    | SH |
| ZX-7R  | 750 | N Ninja          |   | ZX750N     | 96-99 | MCB 660 SV * | SRQ | CRQ |     | MCB 691    | SH |
| ZXR    | 750 |                  |   | ZX750H     | 89-90 | MCB 602 *    | SV  | SRQ | CRQ | MCB 531    | SH |
| ZXR    | 750 |                  |   | ZX750J     | 91-95 | MCB 602 *    | SV  | SRQ | CRQ | MCB 531    | SH |
| ZXR    | 750 |                  |   | ZX750L     | 91-95 | MCB 602 *    | SV  | SRQ | CRQ | MCB 531    | SH |
| ZXR    | 750 | R                |   | ZX750K     | 91-92 | MCB 602 *    | SV  | SRQ | CRQ | MCB 531    | SH |
| ZXR    | 750 | R                |   | ZX750M     | 93-95 | MCB 602 *    | SV  | SRQ | CRQ | MCB 531    | SH |
| ZXR    | 750 | RR               |   | ZX750N     | 96-99 | MCB 660 SV * | SRQ | CRQ |     | MCB 691    | SH |
| VN     | 800 |                  |   | VN800A/B   | 95-99 | MCB 532      |     |     |     | MCS 852    |    |
| VN     | 800 | Classic          |   | VN800B     | 96-   | MCB 682      | SV  |     |     | MCS 852    |    |
| VN     | 800 | Drifter          |   | VN800C     | 99-05 | MCB 682      | SV  |     |     | MCB 681    | SH |





→ KAWASAKI

|        |                        |   |            |       |                   |           |            |            |            |  |                   |           |  |
|--------|------------------------|---|------------|-------|-------------------|-----------|------------|------------|------------|--|-------------------|-----------|--|
| W      | 800                    |   |            | 11-   | <b>MCB 681</b>    | <b>SV</b> |            |            |            |  |                   |           |  |
| GPZ    | 900 R                  |   | ZX900A     | 84-89 | <b>MCB 532</b>    | *         |            |            |            |  | <b>MCB 532</b>    |           |  |
| GPZ    | 900 R                  |   | ZX900A     | 90-94 | <b>MCB 602</b>    | *         | <b>SV</b>  | <b>SRQ</b> | <b>CRQ</b> |  | <b>MCB 569</b>    | <b>SH</b> |  |
| VN     | 900 Custom             |   |            | 07-   | <b>MCB 682</b>    |           | <b>SV</b>  |            |            |  | <b>MCB 843</b>    | <b>SH</b> |  |
| VN     | 900 Classic            |   |            | 06-   | <b>MCB 682</b>    |           | <b>SV</b>  |            |            |  | <b>MCB 843</b>    | <b>SH</b> |  |
| Z1     | 900 ,A, B              |   | Z1F        | 73-75 | <b>MCB 16</b>     |           |            |            |            |  |                   |           |  |
| Z      | 900 A                  |   | Z1F        | 76-77 | <b>MCB 79</b>     | *         |            |            |            |  | <b>MCS 851</b>    |           |  |
| ZX-9R  | 900 Ninja              |   | ZX900B     | 94-95 | <b>MCB 602</b>    | *         | <b>SV</b>  | <b>SRQ</b> | <b>CRQ</b> |  | <b>MCB 662</b>    | <b>SH</b> |  |
| ZX-9R  | 900 Ninja              |   | ZX900B     | 96-97 | <b>MCB 659</b>    | *         | <b>SV</b>  | <b>SRQ</b> | <b>CRQ</b> |  | <b>MCB 662</b>    | <b>SH</b> |  |
| ZX-9R  | 900 Ninja              |   | ZX900C/D   | 98-99 | <b>MCB 659</b>    | *         | <b>SV</b>  | <b>SRQ</b> | <b>CRQ</b> |  | <b>MCB 662</b>    | <b>SH</b> |  |
| ZX-9R  | 900 Ninja              |   | ZX900E     | 00-01 | <b>MCB 659</b>    | *         | <b>SV</b>  | <b>SRQ</b> | <b>CRQ</b> |  | <b>MCB 662</b>    | <b>SH</b> |  |
| ZX-9R  | 900 Ninja              |   | ZX900F     | 02-03 | <b>MCB 737 SV</b> | *         | <b>SRQ</b> | <b>CRQ</b> |            |  | <b>MCB 662</b>    | <b>SH</b> |  |
| GPZ    | 1000 RX                |   | ZXT00A     | 86-87 | <b>MCB 532</b>    | *         |            |            |            |  | <b>MCB 532</b>    |           |  |
| GTR    | 1000                   |   | ZGT00A     | 86-93 | <b>MCB 532</b>    | *         |            |            |            |  | <b>MCB 532</b>    |           |  |
| GTR    | 1000                   |   | ZGT00A     | 94-   | <b>MCB 569</b>    | *         | <b>SV</b>  |            |            |  | <b>MCB 532</b>    |           |  |
| KLE    | 1000 Versys            |   |            | 12-   | <b>MCB 602</b>    | *         | <b>SV</b>  |            |            |  | <b>MCB 634</b>    | <b>SH</b> |  |
| KLV    | 1000                   | → | LV1000A    | 04-   | <b>MCB 681</b>    |           | <b>SV</b>  |            |            |  | <b>MCB 634</b>    | <b>SH</b> |  |
| KLV    | 1000                   | ← | LV1000A    | 04-   | <b>MCB 682</b>    |           | <b>SV</b>  |            |            |  |                   |           |  |
| Z      | 1000 A                 |   | KZT00A     | 77-79 | <b>MCB 79</b>     | *         |            |            |            |  | <b>MCB 73</b>     |           |  |
| Z      | 1000 H                 |   | KZT00H     | 80-   | <b>MCB 79</b>     | *         |            |            |            |  | <b>MCB 73</b>     |           |  |
| Z      | 1000 J                 |   | KZT00J     | 81-82 | <b>MCB 516</b>    | *         |            |            |            |  | <b>MCB 516</b>    |           |  |
| Z      | 1000 K, LTD            |   | KZCK1BA    | 81    | <b>MCB 516</b>    | *         |            |            |            |  | <b>MCB 516</b>    |           |  |
| Z      | 1000 MK2               |   | KZT00A     | 78-80 | <b>MCB 79</b>     | *         |            |            |            |  | <b>MCB 73</b>     |           |  |
| Z      | 1000 R                 |   | KZT00R     | 83-   | <b>MCB 532</b>    | *         |            |            |            |  | <b>MCB 532</b>    |           |  |
| Z      | 1000 ST                |   | KZT00E     | 79-81 | <b>MCB 505</b>    | *         |            |            |            |  | <b>MCB 73</b>     |           |  |
| Z      | 1000 Z1R               |   | KZT00D     | 78-80 | <b>MCB 79</b>     | *         |            |            |            |  | <b>MCB 73</b>     |           |  |
| Z      | 1000                   |   | ZRT00A     | 03-06 | <b>MCB 737 SV</b> | *         | <b>SRQ</b> |            |            |  | <b>MCB 662</b>    | <b>SH</b> |  |
| Z      | 1000 ,ABS              | 4 | ZRT00B/C   | 07-09 | <b>MCB 789 SV</b> | *         |            |            |            |  | <b>MCB 634</b>    | <b>SH</b> |  |
| Z      | 1000 ,ABS              |   | ZRT00D     | 10-   | <b>MCB 752 SV</b> | *         |            |            |            |  | <b>MCB 662</b>    | <b>SH</b> |  |
| ZL     | 1000                   |   | ZLT00A     | 87-88 | <b>MCB 532</b>    | *         |            |            |            |  | <b>MCB 532</b>    |           |  |
| ZX-10  | 1000                   |   | ZXT00B     | 88-90 | <b>MCB 569</b>    | *         | <b>SV</b>  |            |            |  | <b>MCB 569</b>    | <b>SH</b> |  |
| ZX-10R | 1000 Ninja             | 4 | ZXT00C/D   | 04-07 | <b>MCB 742 SV</b> | *         | <b>SRQ</b> | <b>CRQ</b> | <b>SCR</b> |  | <b>MCB 662</b>    | <b>SH</b> |  |
| ZX-10R | 1000 Ninja             |   | ZXT00E     | 08-10 | <b>MCB 752 SV</b> | *         | <b>SRQ</b> | <b>CRQ</b> | <b>SCR</b> |  | <b>MCB 662</b>    | <b>SH</b> |  |
| ZX-10R | 1000 Ninja             |   |            | 11-   | <b>MCB 752 SV</b> | *         | <b>SRQ</b> | <b>CRQ</b> | <b>SCR</b> |  | <b>MCB 784 SH</b> |           |  |
| GPZ    | 1100                   |   | ZXT10A     | 83-85 | <b>MCB 532</b>    | *         |            |            |            |  | <b>MCB 532</b>    |           |  |
| GPZ    | 1100                   | → | ZXT10E     | 95-97 | <b>MCB 681</b>    |           | <b>SV</b>  |            |            |  |                   |           |  |
| GPZ    | 1100                   | ← | ZXT10E     | 95-97 | <b>MCB 682</b>    |           | <b>SV</b>  |            |            |  | <b>MCB 662</b>    | <b>SH</b> |  |
| GPZ    | 1100 ABS               | → | ZXT10E     | 97-98 | <b>MCB 681</b>    |           | <b>SV</b>  |            |            |  |                   |           |  |
| GPZ    | 1100 ABS               | ← | ZXT10E     | 97-98 | <b>MCB 682</b>    |           | <b>SV</b>  |            |            |  | <b>MCB 662</b>    | <b>SH</b> |  |
| Z      | 1100 GP                |   | KZT10B     | 81-82 | <b>MCB 516</b>    | *         |            |            |            |  | <b>MCB 516</b>    |           |  |
| Z      | 1100 ST                |   | KZT10A     | 81-83 | <b>MCB 515</b>    | *         |            |            |            |  | <b>MCB 516</b>    |           |  |
| ZR     | 1100 Zephyr            |   | ZRT10A/B   | 91-96 | <b>MCB 602</b>    | *         | <b>SV</b>  |            |            |  | <b>MCB 569</b>    | <b>SH</b> |  |
| ZR     | 1100 Zephyr            | → | ZRT10B     | 97    | <b>MCB 681</b>    |           | <b>SV</b>  |            |            |  |                   |           |  |
| ZR     | 1100 Zephyr            | ← | ZRT10B     | 97    | <b>MCB 682</b>    |           | <b>SV</b>  |            |            |  | <b>MCB 532</b>    |           |  |
| ZRX    | 1100                   |   | ZRT10C     | 96-00 | <b>MCB 659</b>    | *         | <b>SV</b>  | <b>SRQ</b> | <b>CRQ</b> |  | <b>MCB 531</b>    | <b>SH</b> |  |
| ZX-11  | 1100                   |   |            | 93-   | <b>MCB 602</b>    | *         | <b>SV</b>  | <b>SRQ</b> | <b>CRQ</b> |  | <b>MCB 569</b>    | <b>SH</b> |  |
| ZZR    | 1100 C                 |   | ZXT10C     | 90-92 | <b>MCB 602</b>    | *         | <b>SV</b>  | <b>SRQ</b> | <b>CRQ</b> |  | <b>MCB 569</b>    | <b>SH</b> |  |
| ZZR    | 1100 D                 |   | ZXT10D     | 93-97 | <b>MCB 602</b>    | *         | <b>SV</b>  | <b>SRQ</b> | <b>CRQ</b> |  | <b>MCB 531</b>    | <b>SH</b> |  |
| ZZR    | 1100 G                 |   | ZXT10G     | 98-01 | <b>MCB 602</b>    | *         | <b>SV</b>  | <b>SRQ</b> | <b>CRQ</b> |  | <b>MCB 531</b>    | <b>SH</b> |  |
| ZRX    | 1200 , R, S            |   | ZRT20A/B   | 01-   | <b>MCB 659</b>    | *         | <b>SV</b>  | <b>SRQ</b> | <b>CRQ</b> |  | <b>MCB 531</b>    | <b>SH</b> |  |
| ZX-12R | 1200 Ninja             |   | ZXT20A     | 00-03 | <b>MCB 659 SV</b> | *         | <b>SRQ</b> | <b>CRQ</b> |            |  | <b>MCB 531</b>    | <b>SH</b> |  |
| ZX-12R | 1200 Ninja             | 4 | ZXT20B     | 04-   | <b>MCB 742 SV</b> | *         | <b>SRQ</b> | <b>CRQ</b> | <b>SCR</b> |  | <b>MCB 531</b>    | <b>SH</b> |  |
| ZZR    | 1200                   |   | ZXT20C     | 02-05 | <b>MCB 602</b>    | *         | <b>SV</b>  | <b>SRQ</b> | <b>CRQ</b> |  | <b>MCB 531</b>    | <b>SH</b> |  |
| Z      | 1300                   |   | KZT30A     | 79-83 | <b>MCB 505</b>    | *         |            |            |            |  | <b>MCB 73</b>     |           |  |
| Z      | 1300 DFI               |   | ZGT30A     | 84-89 | <b>MCB 505</b>    | *         |            |            |            |  | <b>MCB 73</b>     |           |  |
| ZG     | 1300                   |   | ZGT30A     | 84-89 | <b>MCB 505</b>    | *         |            |            |            |  | <b>MCB 73</b>     |           |  |
| ZN     | 1300                   |   | KZT30AG    | 85-   | <b>MCB 532</b>    | *         |            |            |            |  | <b>MCB 532</b>    |           |  |
| GTR    | 1400                   | 4 | ZG1400A    | 07-   | <b>MCB 789 SV</b> | *         |            |            |            |  | <b>MCB 691 SH</b> |           |  |
| ZZR    | 1400 ,ABS              | 4 | ZXT40A/B/D | 06-   | <b>MCB 789 SV</b> | *         |            |            |            |  | <b>MCB 691 SH</b> |           |  |
| VN     | 1500                   |   | VNT50A     | 88-93 | <b>MCB 532</b>    |           |            |            |            |  | <b>MCB 532</b>    |           |  |
| VN     | 1500 Classic           |   | VNT50D     | 96-00 | <b>MCB 682</b>    |           | <b>SV</b>  |            |            |  | <b>MCB 532</b>    |           |  |
| VN     | 1500 Classic Fi        |   | VNT50N     | 00-   | <b>MCB 682</b>    |           | <b>SV</b>  |            |            |  | <b>MCB 843</b>    | <b>SH</b> |  |
| VN     | 1500 Classic Tourer Fi | → | VNT50G/H   | 00-   | <b>MCB 681</b>    |           | <b>SV</b>  |            |            |  | <b>MCB 843</b>    | <b>SH</b> |  |
| VN     | 1500 Classic Tourer Fi | ← | VNT50G/H   | 00-   | <b>MCB 682</b>    |           | <b>SV</b>  |            |            |  |                   |           |  |
| VN     | 1500 Drifter           |   | VNT50J     | 99-   | <b>MCB 682</b>    |           | <b>SV</b>  |            |            |  | <b>MCB 843</b>    | <b>SH</b> |  |
| VN     | 1500 Mean Streak       |   | VNT50P     | 02-   | <b>MCB 659</b>    |           | <b>SV</b>  |            |            |  | <b>MCB 843</b>    | <b>SH</b> |  |
| VN     | 1500 SE                |   | VNT50B     | 88-93 | <b>MCB 532</b>    |           |            |            |            |  | <b>MCB 532</b>    |           |  |
| VN     | 1500 SE                |   | VNT50C     | 94-95 | <b>MCB 532</b>    |           |            |            |            |  | <b>MCB 532</b>    |           |  |
| VN     | 1600 Classic           | → | VNT60A     | 03-   | <b>MCB 681</b>    |           | <b>SV</b>  |            |            |  | <b>MCB 843</b>    | <b>SH</b> |  |
| VN     | 1600 Classic           | ← | VNT60A     | 03-   | <b>MCB 682</b>    |           | <b>SV</b>  |            |            |  |                   |           |  |





## → KAWASAKI

|    |      |                         |   |        |     |                   |   |           |  |  |  |                |           |
|----|------|-------------------------|---|--------|-----|-------------------|---|-----------|--|--|--|----------------|-----------|
| VN | 1600 | Mean Streak             |   | VNT60B | 04  | <b>MCB 659</b>    | * | <b>SV</b> |  |  |  | <b>MCB 843</b> | <b>SH</b> |
| VN | 1600 | Mean Streak             | 4 | VNT60B | 05- | <b>MCB 742 SV</b> | * |           |  |  |  | <b>MCB 843</b> | <b>SH</b> |
| VN | 1700 | Classic, Classic Tourer | ◀ |        | 09- | <b>MCB 682</b>    |   | <b>SV</b> |  |  |  | <b>MCB 843</b> | <b>SH</b> |
| VN | 1700 | Classic, Classic Tourer | ▶ |        | 09- | <b>MCB 681</b>    |   | <b>SV</b> |  |  |  |                |           |
| VN | 1700 | Voyager ABS             |   |        | 09- | <b>MCB 602</b>    | * | <b>SV</b> |  |  |  | <b>MCB 843</b> | <b>SH</b> |
| VN | 2000 | , Classic               |   | VNW00A | 04- | <b>MCB 602</b>    | * | <b>SV</b> |  |  |  | <b>MCB 843</b> | <b>SH</b> |

## Keeway

|      |     |                  |  |  |     |                   |   |            |            |  |  |                   |            |
|------|-----|------------------|--|--|-----|-------------------|---|------------|------------|--|--|-------------------|------------|
|      | 50  | Arn              |  |  | 10- | <b>MCB 674</b>    |   | <b>EC</b>  | <b>SR</b>  |  |  |                   |            |
|      | 50  | Focus            |  |  | 06- | <b>MCB 694</b>    |   | <b>EC</b>  |            |  |  | <b>MCS 962</b>    |            |
|      | 50  | Flash            |  |  | 07- | <b>MCB 519</b>    |   | <b>EC</b>  | <b>SR</b>  |  |  | <b>MCS 962</b>    |            |
|      | 50  | F-Act            |  |  | 07- | <b>MCB 694</b>    |   | <b>EC</b>  |            |  |  | <b>MCS 962</b>    |            |
|      | 50  | Goccia           |  |  | 08- | <b>MCB 674</b>    |   | <b>EC</b>  | <b>SR</b>  |  |  |                   |            |
|      | 50  | Hurricane        |  |  | 06- | <b>MCB 519</b>    |   | <b>EC</b>  | <b>SR</b>  |  |  | <b>MCS 962</b>    |            |
|      | 50  | Matrix V2,V3, V4 |  |  | 06- | <b>MCB 694</b>    |   | <b>EC</b>  |            |  |  | <b>MCS 962</b>    |            |
|      | 50  | F-NKD Racing     |  |  | 07- | <b>MCB 694</b>    |   | <b>EC</b>  |            |  |  | <b>MCS 962</b>    |            |
| RY-8 | 50  | SP, Sport Evo    |  |  | 07- | <b>MCB 694</b>    |   | <b>EC</b>  |            |  |  | <b>MCS 962</b>    |            |
|      | 90  | Hurricane        |  |  | 06- | <b>MCB 519</b>    |   | <b>EC</b>  | <b>SR</b>  |  |  |                   |            |
|      | 100 | Partner          |  |  | 06- | <b>MCB 663</b>    |   | <b>EC</b>  | <b>SRM</b> |  |  |                   |            |
|      | 110 | Partner          |  |  | 06- | <b>MCB 663</b>    |   | <b>EC</b>  | <b>SRM</b> |  |  |                   |            |
|      | 125 | Arn              |  |  | 06- | <b>MCB 674</b>    |   | <b>EC</b>  | <b>SR</b>  |  |  | <b>MCS 953</b>    |            |
|      | 125 | Focus            |  |  | 06- | <b>MCB 694</b>    |   | <b>EC</b>  |            |  |  | <b>MCS 953</b>    |            |
|      | 125 | Hacker           |  |  | 08- | <b>MCB 674</b>    |   | <b>EC</b>  | <b>SR</b>  |  |  | <b>MCB 75</b>     |            |
|      | 125 | Matrix           |  |  | 06- | <b>MCB 694</b>    |   | <b>EC</b>  |            |  |  | <b>MCS 953</b>    |            |
|      | 125 | Outlook, Sport   |  |  | 07- | <b>MCB 582</b>    |   | <b>SRM</b> |            |  |  | <b>MCB 582</b>    | <b>SRM</b> |
|      | 125 | Speed            |  |  | 06- | <b>MCB 765</b>    |   |            |            |  |  | <b>MCB 663</b>    | <b>EC</b>  |
|      | 125 | Superlight       |  |  | 07- | <b>MCB 582</b>    |   |            |            |  |  |                   |            |
| K2   | 125 | /150/250         |  |  | 07  | <b>MCB 744</b>    |   | <b>EC</b>  | <b>SRM</b> |  |  | <b>MCB 744</b>    | <b>EC</b>  |
|      | 150 | Arn              |  |  | 06- | <b>MCB 674</b>    |   | <b>EC</b>  | <b>SR</b>  |  |  |                   |            |
|      | 150 | Focus            |  |  | 06- | <b>MCB 694</b>    |   | <b>EC</b>  |            |  |  |                   |            |
|      | 150 | Matrix           |  |  | 06- | <b>MCB 694</b>    |   | <b>EC</b>  |            |  |  |                   |            |
|      | 150 | Speed            |  |  | 06- | <b>MCB 765</b>    |   |            |            |  |  | <b>MCB 663</b>    | <b>EC</b>  |
|      | 250 | Dragon Quad      |  |  | 07- | <b>MCB 519 SI</b> | * |            |            |  |  | <b>MCB 510 SI</b> |            |

## Kram-it

|    |     |              |  |  |     |                   |  |            |           |  |  |                   |            |           |
|----|-----|--------------|--|--|-----|-------------------|--|------------|-----------|--|--|-------------------|------------|-----------|
|    | 250 | GS           |  |  | 97- | <b>MCB 648 SI</b> |  | <b>RSI</b> | <b>EC</b> |  |  | <b>MCB 672 SI</b> | <b>RSI</b> | <b>EC</b> |
|    | 250 | MX           |  |  | 97- | <b>MCB 648 SI</b> |  | <b>RSI</b> | <b>EC</b> |  |  | <b>MCB 672 SI</b> | <b>RSI</b> | <b>EC</b> |
|    | 250 | SM           |  |  | 97- | <b>MCB 648 SI</b> |  | <b>RSI</b> | <b>EC</b> |  |  | <b>MCB 672 SI</b> | <b>RSI</b> | <b>EC</b> |
|    | 250 | SMR          |  |  | 97- | <b>MCB 648 SI</b> |  | <b>RSI</b> | <b>EC</b> |  |  | <b>MCB 672 SI</b> | <b>RSI</b> | <b>EC</b> |
| ER |     | alle Modelle |  |  |     | <b>MCB 579</b>    |  | <b>SI</b>  |           |  |  | <b>MCB 523</b>    |            |           |

## Kreidler

|    |     |                |  |         |       |                |  |           |           |  |  |                   |           |
|----|-----|----------------|--|---------|-------|----------------|--|-----------|-----------|--|--|-------------------|-----------|
| XL | 25  | Florett        |  | SAF-1   | 99-   | <b>MCB 522</b> |  |           |           |  |  |                   |           |
|    | 50  |                |  | MF2/MF4 |       | <b>MCS 828</b> |  |           |           |  |  | <b>MCS 828</b>    |           |
|    | 50  |                |  | MP1     |       | <b>MCS 828</b> |  |           |           |  |  | <b>MCS 828</b>    |           |
|    | 50  | Florett        |  |         | 81-82 | <b>MCB 513</b> |  |           |           |  |  |                   |           |
|    | 50  | Florett        |  | SAF     | 99-   | <b>MCB 519</b> |  | <b>EC</b> | <b>SR</b> |  |  |                   |           |
|    | 50  | Florett D, RMC |  |         | 07-   | <b>MCB 615</b> |  |           |           |  |  |                   |           |
|    | 50  | Flory          |  | MF20/22 |       | <b>MCS 828</b> |  |           |           |  |  | <b>MCS 828</b>    |           |
|    | 125 | Enduro         |  |         | 07-   | <b>MCB 689</b> |  |           |           |  |  |                   |           |
|    | 125 | Mustang        |  |         | 83-   | <b>MCB 536</b> |  |           |           |  |  | <b>MCB 75</b>     |           |
|    | 125 | Supermoto      |  |         | 07-   | <b>MCB 689</b> |  |           |           |  |  | <b>MCB 510</b>    | <b>SI</b> |
|    | 170 | Mustang        |  |         | 06-   | <b>MCS 962</b> |  |           |           |  |  | <b>MCB 582 SI</b> |           |
|    | 200 | Enduro         |  |         | 07-   | <b>MCB 689</b> |  |           |           |  |  |                   |           |

## KTM

|     |    |               |  |           |        |                    |  |           |           |                |  |                    |           |
|-----|----|---------------|--|-----------|--------|--------------------|--|-----------|-----------|----------------|--|--------------------|-----------|
|     | 50 | Chrono        |  |           |        | <b>MCB 696</b>     |  | <b>EC</b> | <b>SR</b> |                |  | <b>MCS 800</b>     |           |
|     | 50 | GO Edition    |  | KTM GO 50 | 12/94- | <b>MCB 578</b>     |  |           |           |                |  | <b>MCS 800</b>     |           |
|     | 50 | GXE           |  |           |        | <b>MCB 553</b>     |  |           |           |                |  |                    |           |
|     | 50 | Kross         |  |           | 95-    | <b>MCB 696</b>     |  | <b>EC</b> | <b>SR</b> |                |  | <b>MCS 800</b>     |           |
|     | 50 | MLS, RLW, RSL |  |           |        | <b>MCB 75</b>      |  | <b>SI</b> |           |                |  |                    |           |
|     | 50 | PL, RS, RL    |  |           |        | <b>MCB 75</b>      |  | <b>SI</b> |           |                |  |                    |           |
| ARK | 50 | AC/LC         |  |           | 97-    | <b>MCB 696</b>     |  | <b>EC</b> | <b>SR</b> |                |  | <b>MCB 696</b>     | <b>EC</b> |
| ARK | 50 | K             |  |           | 97-    | <b>MCB 696</b>     |  | <b>EC</b> | <b>SR</b> |                |  | <b>MCS 800</b>     |           |
| SX  | 50 | Pro Junior    |  |           | 02-    | <b>MCB 750 RSI</b> |  | <b>EC</b> |           |                |  |                    |           |
| SX  | 50 | Pro Senior    |  |           | 02-03  | <b>MCB 750 RSI</b> |  | <b>EC</b> |           |                |  | <b>MCS 828</b>     |           |
| SX  | 50 | Pro Senior    |  |           | 04-    | <b>MCB 750 RSI</b> |  | <b>EC</b> |           |                |  | <b>MCB 750 RSI</b> | <b>EC</b> |
| SX  | 60 |               |  |           | 00-    | <b>MCB 535</b>     |  | <b>EC</b> |           | <b>MCB 552</b> |  |                    |           |
| SX  | 65 |               |  |           | 00-01  | <b>MCB 535</b>     |  | <b>EC</b> |           | <b>MCB 552</b> |  |                    |           |
| SX  | 65 |               |  |           | 02-03  | <b>MCB 740 SI</b>  |  | <b>EC</b> |           |                |  | <b>MCB 552</b>     |           |





→ KTM

|       |                             |            |       |                    |            |            |           |                   |            |           |
|-------|-----------------------------|------------|-------|--------------------|------------|------------|-----------|-------------------|------------|-----------|
| SX    | 65                          |            | 04-   | <b>MCB 740 SI</b>  | <b>EC</b>  |            |           | <b>MCB 750 SI</b> | <b>RSI</b> | <b>EC</b> |
| SX    | 85                          |            | 04-10 | <b>MCB 740 SI</b>  | <b>EC</b>  |            |           | <b>MCB 740 SI</b> | <b>EC</b>  |           |
| SX    | 85                          |            | 11    | <b>MCB 740 SI</b>  | <b>EC</b>  |            |           | <b>MCB 831 SI</b> | <b>EC</b>  |           |
| SX    | 85                          |            | 12-   | <b>MCB 842 SI</b>  |            |            |           | <b>MCB 831 SI</b> | <b>EC</b>  |           |
|       | 125 Duke                    |            | 11-   | <b>MCB 834</b>     |            |            |           | <b>MCB 672 SI</b> | <b>RSI</b> | <b>EC</b> |
|       | 125 MX, Enduro              |            | 86    | <b>MCB 75</b>      | <b>SI</b>  |            |           | <b>MCB 75</b>     | <b>SI</b>  |           |
|       | 125 MX, Enduro              |            | 87    | <b>MCB 572</b>     |            |            |           | <b>MCB 572</b>    |            |           |
|       | 125 MX, Enduro              |            | 88    | <b>MCB 592</b>     |            |            |           | <b>MCB 523 SI</b> |            |           |
|       | 125 MX, Enduro              |            | 89-91 | <b>MCB 523 SI</b>  |            |            |           | <b>MCB 523 SI</b> |            |           |
|       | 125 MX, Enduro              |            | 92-93 | <b>MCB 648</b>     | <b>RSI</b> | <b>SI</b>  | <b>EC</b> | <b>MCB 523 SI</b> |            |           |
|       | 125 MX, Enduro              |            | 94-   | <b>MCB 648</b>     | <b>RSI</b> | <b>SI</b>  | <b>EC</b> | <b>MCB 672 SI</b> | <b>RSI</b> | <b>EC</b> |
|       | 125 Sting                   |            | 97-   | <b>MCB 540</b>     | <b>SV</b>  | <b>EC</b>  |           | <b>MCB 672</b>    | <b>SH</b>  | <b>EC</b> |
| EXC   | 125 Enduro                  | KTM-2T-EXC | 98-03 | <b>MCB 648</b>     | <b>RSI</b> | <b>SI</b>  | <b>EC</b> | <b>MCB 672 SI</b> | <b>RSI</b> | <b>EC</b> |
| EXC   | 125 Enduro                  |            | 04-   | <b>MCB 648</b>     | <b>RSI</b> | <b>SI</b>  | <b>EC</b> | <b>MCB 743 SI</b> | <b>RSI</b> | <b>EC</b> |
| EXE   | 125 Super Enduro            | KTM-2T-EXE | 00-   | <b>MCB 648</b>     | <b>RSI</b> | <b>SI</b>  | <b>EC</b> | <b>MCB 672 SI</b> | <b>RSI</b> | <b>EC</b> |
| EXE   | 125 Super Moto              |            | 00-   | <b>MCB 648</b>     | <b>RSI</b> | <b>SI</b>  | <b>EC</b> | <b>MCB 672 SI</b> | <b>RSI</b> | <b>EC</b> |
| SX    | 125                         | VBKMXH     | 96-03 | <b>MCB 648 SI</b>  | <b>RSI</b> | <b>EC</b>  |           | <b>MCB 672 SI</b> | <b>RSI</b> | <b>EC</b> |
| SX    | 125                         |            | 04-   | <b>MCB 648 SI</b>  | <b>RSI</b> | <b>EC</b>  |           | <b>MCB 743 SI</b> | <b>RSI</b> | <b>EC</b> |
| SX    | 150                         |            | 07-   | <b>MCB 648 SI</b>  | <b>RSI</b> | <b>EC</b>  |           | <b>MCB 743 SI</b> | <b>RSI</b> | <b>EC</b> |
|       | 200 Duke                    |            | 12-   | <b>MCB 834</b>     |            |            |           | <b>MCB 672 SI</b> | <b>RSI</b> | <b>EC</b> |
| EXC   | 200 Enduro                  | KTM-2T-EXC | 99-03 | <b>MCB 648</b>     | <b>RSI</b> | <b>SI</b>  | <b>EC</b> | <b>MCB 672 SI</b> | <b>RSI</b> | <b>EC</b> |
| EXC   | 200 Enduro                  |            | 04-   | <b>MCB 648</b>     | <b>RSI</b> | <b>SI</b>  | <b>EC</b> | <b>MCB 743 SI</b> | <b>RSI</b> | <b>EC</b> |
| SX    | 200                         | VBKMXK     | 03-04 | <b>MCB 648 SI</b>  | <b>RSI</b> | <b>EC</b>  |           | <b>MCB 743 SI</b> | <b>RSI</b> | <b>EC</b> |
|       | 250 MX, Enduro              |            | 86    | <b>MCB 75</b>      | <b>SI</b>  |            |           | <b>MCB 75</b>     | <b>SI</b>  |           |
|       | 250 MX, Enduro              |            | 87    | <b>MCB 572</b>     |            |            |           | <b>MCB 572</b>    |            |           |
|       | 250 MX, Enduro              |            | 88    | <b>MCB 592</b>     |            |            |           | <b>MCB 523 SI</b> |            |           |
|       | 250 MX, Enduro              |            | 89-91 | <b>MCB 523 SI</b>  |            |            |           | <b>MCB 523 SI</b> |            |           |
|       | 250 MX, Enduro              |            | 92-93 | <b>MCB 648</b>     | <b>RSI</b> | <b>SI</b>  | <b>EC</b> | <b>MCB 523 SI</b> |            |           |
|       | 250 MX, Enduro              |            | 94-   | <b>MCB 648</b>     | <b>RSI</b> | <b>SI</b>  | <b>EC</b> | <b>MCB 672 SI</b> | <b>RSI</b> | <b>EC</b> |
| EXC   | 250 Enduro                  | KTM-4T-EXC | 04-   | <b>MCB 648</b>     | <b>RSI</b> | <b>SI</b>  | <b>EC</b> | <b>MCB 743 SI</b> | <b>RSI</b> | <b>EC</b> |
| EXC   | 250 Enduro                  | KTM-2T-EXC | 99-03 | <b>MCB 648</b>     | <b>RSI</b> | <b>SI</b>  | <b>EC</b> | <b>MCB 672 SI</b> | <b>RSI</b> | <b>EC</b> |
| EXC   | 250 Enduro                  | KTM-4T-EXC | 99-03 | <b>MCB 648</b>     | <b>RSI</b> | <b>SI</b>  | <b>EC</b> | <b>MCB 672 SI</b> | <b>RSI</b> | <b>EC</b> |
| EXC-F | 250                         |            | 07-   | <b>MCB 648</b>     | <b>RSI</b> | <b>SI</b>  | <b>EC</b> | <b>MCB 743 SI</b> | <b>RSI</b> | <b>EC</b> |
| SX    | 250                         | VBKMXN     | 96-02 | <b>MCB 648 SI</b>  | <b>RSI</b> | <b>EC</b>  |           | <b>MCB 672 SI</b> | <b>RSI</b> | <b>EC</b> |
| SX    | 250                         | VBKMXN     | 03-   | <b>MCB 648 SI</b>  | <b>RSI</b> | <b>EC</b>  |           | <b>MCB 743 SI</b> | <b>RSI</b> | <b>EC</b> |
| SX-F  | 250                         |            | 06-   | <b>MCB 648 SI</b>  | <b>RSI</b> | <b>EC</b>  |           | <b>MCB 743 SI</b> | <b>RSI</b> | <b>EC</b> |
| EXC   | 300 Enduro                  |            | 99-03 | <b>MCB 648</b>     | <b>RSI</b> | <b>SI</b>  | <b>EC</b> | <b>MCB 672 SI</b> | <b>RSI</b> | <b>EC</b> |
| EXC   | 300 Enduro                  |            | 04-   | <b>MCB 648</b>     | <b>RSI</b> | <b>SI</b>  | <b>EC</b> | <b>MCB 743 SI</b> | <b>RSI</b> | <b>EC</b> |
|       | 350 Freeride, E             |            | 12-   | <b>MCB 842 SI</b>  |            |            |           | <b>MCB 831 SI</b> |            |           |
|       | 350 MX, Enduro              |            | 89-91 | <b>MCB 523 SI</b>  |            |            |           | <b>MCB 523 SI</b> |            |           |
|       | 350 MX, Enduro              |            | 87    | <b>MCB 572</b>     |            |            |           | <b>MCB 572</b>    |            |           |
|       | 350 MX, Enduro              |            | 88    | <b>MCB 592</b>     |            |            |           | <b>MCB 523 SI</b> |            |           |
|       | 350 MX, Enduro              |            | 92-93 | <b>MCB 648</b>     | <b>RSI</b> | <b>SI</b>  | <b>EC</b> | <b>MCB 523 SI</b> |            |           |
|       | 350 MX, Enduro              |            | 94-   | <b>MCB 648</b>     | <b>RSI</b> | <b>SI</b>  | <b>EC</b> | <b>MCB 672 SI</b> | <b>RSI</b> | <b>EC</b> |
|       | 350 MX, Enduro              |            | 86    | <b>MCB 75</b>      | <b>SI</b>  |            |           | <b>MCB 75</b>     | <b>SI</b>  |           |
| EXC-F | 350                         |            | 11-   | <b>MCB 648 SI</b>  | <b>RSI</b> | <b>EC</b>  |           | <b>MCB 743 SI</b> | <b>RSI</b> | <b>EC</b> |
| SX-F  | 350                         |            | 11-   | <b>MCB 648 SI</b>  | <b>RSI</b> | <b>EC</b>  |           | <b>MCB 743 SI</b> | <b>RSI</b> | <b>EC</b> |
|       | 380 MX                      |            | 98-   | <b>MCB 648</b>     | <b>RSI</b> | <b>SI</b>  | <b>EC</b> | <b>MCB 672 SI</b> | <b>RSI</b> | <b>EC</b> |
| EXC   | 380 Enduro                  |            | 98-   | <b>MCB 648</b>     | <b>RSI</b> | <b>SI</b>  | <b>EC</b> | <b>MCB 672 SI</b> | <b>RSI</b> | <b>EC</b> |
| SX    | 380                         |            | 96-   | <b>MCB 648 SI</b>  | <b>RSI</b> | <b>EC</b>  |           | <b>MCB 672 SI</b> | <b>RSI</b> | <b>EC</b> |
| EXC   | 400 Racing                  | KTM-4T-EXC | 00-03 | <b>MCB 648</b>     | <b>RSI</b> | <b>SI</b>  | <b>EC</b> | <b>MCB 672 SI</b> | <b>RSI</b> | <b>EC</b> |
| EXC   | 400 Racing                  |            | 04-   | <b>MCB 648</b>     | <b>RSI</b> | <b>SI</b>  | <b>EC</b> | <b>MCB 743 SI</b> | <b>RSI</b> | <b>EC</b> |
| LC4   | 400 Enduro                  |            | 92-93 | <b>MCB 648</b>     | <b>RSI</b> | <b>SI</b>  | <b>EC</b> | <b>MCB 523 SI</b> |            |           |
| LC4   | 400 Enduro                  |            | 94-   | <b>MCB 648</b>     | <b>RSI</b> | <b>SI</b>  | <b>EC</b> | <b>MCB 672 SI</b> | <b>RSI</b> | <b>EC</b> |
| LC4-E | 400 Enduro                  | KTM-4T-EGS | 99-   | <b>MCB 648</b>     | <b>RSI</b> | <b>SI</b>  | <b>EC</b> | <b>MCB 672 SI</b> | <b>RSI</b> | <b>EC</b> |
| SC    | 400 Super Competition       | 4T-SC      | 99-01 | <b>MCB 648</b>     | <b>RSI</b> | <b>SI</b>  | <b>EC</b> | <b>MCB 672 SI</b> | <b>RSI</b> | <b>EC</b> |
| SXC   | 400 Racing                  | KTM-4T-EGS | 00-02 | <b>MCB 648 SI</b>  | <b>RSI</b> | <b>EC</b>  |           | <b>MCB 672 SI</b> | <b>RSI</b> | <b>EC</b> |
|       | 450 Rally                   |            | 11-   | <b>MCB 648 SI</b>  | <b>RSI</b> | <b>EC</b>  |           | <b>MCB 672 SI</b> | <b>RSI</b> | <b>EC</b> |
|       | 450 Super Moto Werksreplika |            | 04-   | <b>MCB 540</b>     | <b>SRQ</b> | <b>CRQ</b> |           | <b>MCB 743 SI</b> | <b>RSI</b> | <b>EC</b> |
| EXC   | 450 Racing                  | KTM-4T-EXC | 03    | <b>MCB 648</b>     | <b>RSI</b> | <b>SI</b>  | <b>EC</b> | <b>MCB 672 SI</b> | <b>RSI</b> | <b>EC</b> |
| EXC   | 450 Racing                  | KTM-4T-EXC | 04-   | <b>MCB 648</b>     | <b>RSI</b> | <b>SI</b>  | <b>EC</b> | <b>MCB 743 SI</b> | <b>RSI</b> | <b>EC</b> |
| SX    | 450 ATV                     |            | 08-   | <b>MCB 824 SI</b>  |            |            |           | <b>MCB 825 SI</b> |            |           |
| SX    | 450                         | VBKMXN     | 03-   | <b>MCB 648 SI</b>  | <b>RSI</b> | <b>EC</b>  |           | <b>MCB 743 SI</b> | <b>RSI</b> | <b>EC</b> |
| SX    | 450 SMR                     |            | 05-06 | <b>MCB 793 RSI</b> | <b>SRQ</b> |            |           | <b>MCB 743 SI</b> | <b>RSI</b> | <b>EC</b> |
| SX    | 450 SMR                     | 4☐         | 07-   | <b>MCB 794 RSI</b> | <b>SRQ</b> |            |           | <b>MCB 743 SI</b> | <b>RSI</b> | <b>EC</b> |
| SX-F  | 450 Racing                  |            | 07-   | <b>MCB 648 SI</b>  | <b>RSI</b> | <b>EC</b>  |           | <b>MCB 743 SI</b> | <b>RSI</b> | <b>EC</b> |
| XC    | 450 ATV                     |            | 08-   | <b>MCB 824 SI</b>  |            |            |           | <b>MCB 825 SI</b> |            |           |
| XC-F  | 450                         |            | 08-   | <b>MCB 648 SI</b>  | <b>RSI</b> | <b>EC</b>  |           | <b>MCB 743 SI</b> | <b>RSI</b> | <b>EC</b> |
|       | 500 MX, Enduro              |            | 86    | <b>MCB 75</b>      | <b>SI</b>  |            |           | <b>MCB 75</b>     | <b>SI</b>  |           |





→ **KTM**

|       |      |                        |            |       |                    |            |            |            |            |                   |            |           |  |
|-------|------|------------------------|------------|-------|--------------------|------------|------------|------------|------------|-------------------|------------|-----------|--|
|       | 500  | MX, Enduro             |            | 87    | <b>MCB 572</b>     |            |            |            |            | <b>MCB 572</b>    |            |           |  |
|       | 500  | MX, Enduro             |            | 88    | <b>MCB 592</b>     |            |            |            |            | <b>MCB 523 SI</b> |            |           |  |
|       | 500  | MX, Enduro             |            | 89-91 | <b>MCB 523</b>     | <b>SI</b>  |            |            |            | <b>MCB 523 SI</b> |            |           |  |
|       | 500  | MX, Enduro             |            | 92-93 | <b>MCB 648</b>     | <b>RSI</b> | <b>SI</b>  | <b>EC</b>  |            | <b>MCB 523 SI</b> |            |           |  |
|       | 500  | MX, Enduro             |            | 94-   | <b>MCB 648</b>     | <b>RSI</b> | <b>SI</b>  | <b>EC</b>  |            | <b>MCB 672 SI</b> | <b>RSI</b> | <b>EC</b> |  |
| SX    | 505  | ATV                    |            | 08-   | <b>MCB 824 SI</b>  |            |            |            |            | <b>MCB 825 SI</b> |            |           |  |
| SX-F  | 505  | Racing                 |            | 07-   | <b>MCB 648 SI</b>  | <b>RSI</b> | <b>EC</b>  |            |            | <b>MCB 743 SI</b> | <b>RSI</b> | <b>EC</b> |  |
| XC    | 505  | ATV                    |            | 08-   | <b>MCB 824 SI</b>  |            |            |            |            | <b>MCB 825 SI</b> |            |           |  |
| XC-F  | 505  |                        |            | 09-   | <b>MCB 648 SI</b>  | <b>RSI</b> | <b>EC</b>  |            |            | <b>MCB 743 SI</b> | <b>RSI</b> | <b>EC</b> |  |
| EXC   | 520  | Racing                 | KTM-4T-EXC | 00-02 | <b>MCB 648</b>     | <b>RSI</b> | <b>SI</b>  | <b>EC</b>  |            | <b>MCB 672 SI</b> | <b>RSI</b> | <b>EC</b> |  |
| SX    | 520  | Racing                 | VBKMXM     | 00-02 | <b>MCB 648 SI</b>  | <b>RSI</b> | <b>EC</b>  |            |            | <b>MCB 672 SI</b> | <b>RSI</b> | <b>EC</b> |  |
| EXC   | 525  | Racing                 | KTM-4T-EXC | 03    | <b>MCB 648</b>     | <b>RSI</b> | <b>SI</b>  | <b>EC</b>  |            | <b>MCB 672 SI</b> | <b>RSI</b> | <b>EC</b> |  |
| EXC   | 525  | Racing                 | KTM-4T-EXC | 04-   | <b>MCB 648</b>     | <b>RSI</b> | <b>SI</b>  | <b>EC</b>  |            | <b>MCB 743 SI</b> | <b>RSI</b> | <b>EC</b> |  |
| SX    | 525  | Racing                 | VBKMXM     | 03    | <b>MCB 648 SI</b>  | <b>RSI</b> | <b>EC</b>  |            |            | <b>MCB 672 SI</b> | <b>RSI</b> | <b>EC</b> |  |
| SX    | 525  | Racing                 |            | 04-   | <b>MCB 648 SI</b>  | <b>RSI</b> | <b>EC</b>  |            |            | <b>MCB 743 SI</b> | <b>RSI</b> | <b>EC</b> |  |
| SX    | 525  | SMR                    |            | 05    | <b>MCB 793 RSI</b> | <b>SRQ</b> |            |            |            | <b>MCB 743 SI</b> | <b>RSI</b> | <b>EC</b> |  |
| XC    | 525  |                        |            | 08-   | <b>MCB 824 SI</b>  |            |            |            |            | <b>MCB 825 SI</b> |            |           |  |
| EXC   | 530  |                        |            | 08-   | <b>MCB 648</b>     | <b>RSI</b> | <b>SI</b>  | <b>EC</b>  |            | <b>MCB 743 SI</b> | <b>RSI</b> | <b>EC</b> |  |
| SXC   | 540  | Tiainen Replica        | KTM-4T-EGS | 99-00 | <b>MCB 648 SI</b>  | <b>RSI</b> | <b>EC</b>  |            |            | <b>MCB 672 SI</b> | <b>RSI</b> | <b>EC</b> |  |
| SX    | 560  | SMR                    | 4☐         | 06-   | <b>MCB 794 RSI</b> | <b>SRQ</b> |            |            |            | <b>MCB 743 SI</b> | <b>RSI</b> | <b>EC</b> |  |
| LC4   | 600  | Enduro                 |            | 88-91 | <b>MCB 592</b>     |            |            |            |            | <b>MCB 592</b>    |            |           |  |
| LC4   | 600  | Enduro                 |            | 92-93 | <b>MCB 648</b>     | <b>RSI</b> | <b>SI</b>  | <b>EC</b>  |            | <b>MCB 523 SI</b> |            |           |  |
| LC4   | 600  | Enduro                 |            | 94-   | <b>MCB 648</b>     | <b>RSI</b> | <b>SI</b>  | <b>EC</b>  |            | <b>MCB 672 SI</b> | <b>RSI</b> | <b>EC</b> |  |
| LC4   | 620  | Adventure              |            | 97-01 | <b>MCB 648</b>     | <b>RSI</b> | <b>SI</b>  | <b>EC</b>  |            | <b>MCB 672</b>    | <b>SI</b>  | <b>EC</b> |  |
| LC4   | 620  | Competition            | KTM-4T-EGS | 99-   | <b>MCB 648</b>     | <b>RSI</b> | <b>SI</b>  | <b>EC</b>  |            | <b>MCB 672 SI</b> | <b>RSI</b> | <b>EC</b> |  |
| LC4   | 620  | Competition Super Moto | KTM-4T-EGS | 00-   | <b>MCB 648</b>     | <b>RSI</b> | <b>SI</b>  | <b>EC</b>  |            | <b>MCB 672 SI</b> | <b>RSI</b> | <b>EC</b> |  |
| LC4   | 620  | Duke                   |            | 94-97 | <b>MCB 540</b>     | <b>SV</b>  | <b>CRQ</b> |            |            | <b>MCB 672 SI</b> | <b>RSI</b> | <b>EC</b> |  |
| LC4   | 620  | Enduro                 |            | 95-   | <b>MCB 648</b>     | <b>RSI</b> | <b>SI</b>  | <b>EC</b>  |            | <b>MCB 672 SI</b> | <b>RSI</b> | <b>EC</b> |  |
| SC    | 620  | Super Competition      | 4T-SC      | 99-   | <b>MCB 648</b>     | <b>RSI</b> | <b>SI</b>  | <b>EC</b>  |            | <b>MCB 672 SI</b> | <b>RSI</b> | <b>EC</b> |  |
| SC    | 620  | Super Moto             | 4T-SC      | 98-   | <b>MCB 648</b>     | <b>RSI</b> | <b>SI</b>  | <b>EC</b>  |            | <b>MCB 672 SI</b> | <b>RSI</b> | <b>EC</b> |  |
|       | 625  | SMC                    |            | 05-   | <b>MCB 683</b>     | <b>SV</b>  | <b>SRQ</b> | <b>CRQ</b> |            | <b>MCB 672</b>    | <b>SI</b>  | <b>EC</b> |  |
| LC4   | 625  | Super Competition      |            | 03-   | <b>MCB 648</b>     | <b>RSI</b> | <b>SI</b>  | <b>EC</b>  |            | <b>MCB 672 SI</b> | <b>RSI</b> | <b>EC</b> |  |
| SXC   | 625  |                        |            | 03-04 | <b>MCB 648</b>     | <b>RSI</b> | <b>SI</b>  | <b>EC</b>  |            | <b>MCB 672 SI</b> | <b>RSI</b> | <b>EC</b> |  |
| LC4   | 640  | Adventure              | KTM-4T-EGS | 97-   | <b>MCB 648</b>     | <b>RSI</b> | <b>SI</b>  | <b>EC</b>  |            | <b>MCB 672</b>    | <b>SI</b>  | <b>EC</b> |  |
| LC4   | 640  | Duke I                 |            | 98    | <b>MCB 540</b>     | <b>SV</b>  | <b>CRQ</b> | <b>SRQ</b> |            | <b>MCB 672 SI</b> | <b>RSI</b> | <b>EC</b> |  |
| LC4   | 640  | Duke II                | KTMMDKII   | 99-   | <b>MCB 683</b>     | <b>SV</b>  | <b>CRQ</b> | <b>SRQ</b> |            | <b>MCB 672 SI</b> | <b>RSI</b> | <b>EC</b> |  |
| LC4   | 640  | SM                     |            | 03    | <b>MCB 540</b>     | <b>SV</b>  | <b>SRQ</b> | <b>CRQ</b> |            | <b>MCB 672</b>    | <b>RSI</b> | <b>EC</b> |  |
| LC4   | 640  | SM                     |            | 04-   | <b>MCB 683</b>     | <b>SV</b>  | <b>SRQ</b> | <b>CRQ</b> |            | <b>MCB 672</b>    | <b>RSI</b> | <b>EC</b> |  |
| LC4-E | 640  | Enduro                 | KTM-4T-EGS | 99-   | <b>MCB 648</b>     | <b>RSI</b> | <b>SI</b>  | <b>EC</b>  |            | <b>MCB 672 SI</b> | <b>RSI</b> | <b>EC</b> |  |
| LC4-E | 640  | Super Moto             | KTM-4T-EGS | 99-02 | <b>MCB 648</b>     | <b>RSI</b> | <b>SI</b>  | <b>EC</b>  |            | <b>MCB 672 SI</b> | <b>RSI</b> | <b>EC</b> |  |
|       | 660  | SMC                    |            | 03    | <b>MCB 540</b>     | <b>SV</b>  | <b>SRQ</b> | <b>CRQ</b> |            | <b>MCB 672</b>    | <b>RSI</b> | <b>EC</b> |  |
|       | 660  | SMC                    |            | 04-   | <b>MCB 683</b>     | <b>SV</b>  | <b>SRQ</b> | <b>CRQ</b> |            | <b>MCB 672</b>    | <b>RSI</b> | <b>EC</b> |  |
|       | 660  | Super Moto             | 4T-SC      | 03-06 | <b>MCB 683</b>     | <b>SV</b>  | <b>SRQ</b> | <b>CRQ</b> |            | <b>MCB 672</b>    | <b>RSI</b> | <b>EC</b> |  |
|       | 690  | Duke                   | 4☐         | 08-   | <b>MCB 721 SV</b>  | <b>SRQ</b> |            |            |            | <b>MCB 672</b>    | <b>RSI</b> | <b>EC</b> |  |
|       | 690  | Duke ABS               |            | 12-   | <b>MCB 683 SV</b>  | <b>SRQ</b> |            |            |            | <b>MCB 672</b>    | <b>RSI</b> | <b>EC</b> |  |
|       | 690  | Enduro, R              |            | 08-   | <b>MCB 671 SV</b>  |            |            |            |            | <b>MCB 672</b>    | <b>RSI</b> | <b>EC</b> |  |
|       | 690  | SM, SMC                |            | 07-   | <b>MCB 683</b>     | <b>SV</b>  | <b>SRQ</b> | <b>CRQ</b> |            | <b>MCB 672</b>    | <b>RSI</b> | <b>EC</b> |  |
|       | 690  | Super Moto R           | 4☐         | 08-   | <b>MCB 721 SV</b>  | <b>SRQ</b> | <b>CRQ</b> | <b>SCR</b> |            | <b>MCB 672</b>    | <b>RSI</b> | <b>EC</b> |  |
| LC-8  | 950  | Adventure              | KTM LC8    | 02-05 | <b>MCB 671</b>     | <b>*</b>   | <b>SV</b>  |            |            | <b>MCB 648 SI</b> | <b>RSI</b> | <b>EC</b> |  |
|       | 950  | Super Moto R           | 4☐         | 03-07 | <b>MCB 721 SV</b>  | <b>*</b>   | <b>SRQ</b> | <b>CRQ</b> | <b>SCR</b> | <b>MCB 648 SI</b> | <b>RSI</b> | <b>EC</b> |  |
|       | 950  | Super Enduro R         |            | 06-   | <b>MCB 671</b>     | <b>SV</b>  |            |            |            | <b>MCB 648 SI</b> | <b>RSI</b> | <b>EC</b> |  |
|       | 990  | Super Duke, R          | 4☐         | 04-   | <b>MCB 721 SV</b>  | <b>*</b>   | <b>SRQ</b> | <b>CRQ</b> |            | <b>MCB 672 SI</b> | <b>RSI</b> | <b>EC</b> |  |
|       | 990  | Adventure/S            |            | 06-   | <b>MCB 671</b>     | <b>*</b>   | <b>SV</b>  |            |            | <b>MCB 648 SI</b> | <b>RSI</b> | <b>EC</b> |  |
|       | 990  | Super Moto             | 4☐         | 07-   | <b>MCB 721 SV</b>  | <b>*</b>   | <b>SRQ</b> | <b>CRQ</b> | <b>SCR</b> | <b>MCB 648 SI</b> | <b>RSI</b> | <b>EC</b> |  |
| RC8   | 1190 | , R                    |            | 08-   | <b>MCB 792 SV</b>  | <b>*</b>   | <b>SRQ</b> | <b>CRQ</b> | <b>SCR</b> | <b>MCB 700</b>    | <b>RQ</b>  |           |  |

**Kymco**

|  |    |                      |         |       |                |            |  |  |  |                |  |  |  |
|--|----|----------------------|---------|-------|----------------|------------|--|--|--|----------------|--|--|--|
|  | 50 | Agility One, MMC, RS |         | 05-   | <b>MCB 689</b> | <b>EC</b>  |  |  |  | <b>MCS 800</b> |  |  |  |
|  | 50 | Calypso              | KCZ     | 97-   | <b>MCB 694</b> | <b>EC</b>  |  |  |  | <b>MCS 800</b> |  |  |  |
|  | 50 | Cobra Cross          | SF10    | 99-   | <b>MCB 665</b> | <b>EC</b>  |  |  |  | <b>MCS 800</b> |  |  |  |
|  | 50 | Cobra Racer          | SF10    | 97-00 | <b>MCB 665</b> | <b>EC</b>  |  |  |  | <b>MCS 800</b> |  |  |  |
|  | 50 | Dink, Dink Sport     | KCZ     | 00-   | <b>MCB 663</b> | <b>EC</b>  |  |  |  | <b>MCS 800</b> |  |  |  |
|  | 50 | Easy                 |         | 01-   | <b>MCB 665</b> | <b>EC</b>  |  |  |  | <b>MCS 800</b> |  |  |  |
|  | 50 | Filly LX             | SD10    | 97-   | <b>MCB 689</b> | <b>EC</b>  |  |  |  | <b>MCS 800</b> |  |  |  |
|  | 50 | Grand Dink           |         | 04-   | <b>MCB 663</b> | <b>EC</b>  |  |  |  | <b>MCS 800</b> |  |  |  |
|  | 50 | Heroism              | KCZ/KAF | 5/95- | <b>MCB 694</b> | <b>EC</b>  |  |  |  | <b>MCS 800</b> |  |  |  |
|  | 50 | K-Pipe               |         | 12-   | <b>MCB 663</b> | <b>EC</b>  |  |  |  |                |  |  |  |
|  | 50 | Like 2 T             |         | 09    | <b>MCB 712</b> | <b>SRM</b> |  |  |  | <b>MCS 800</b> |  |  |  |
|  | 50 | Like 4 T             |         | 10-   | <b>MCB 689</b> | <b>EC</b>  |  |  |  | <b>MCS 800</b> |  |  |  |





→ **KYMCO**

|      |     |                    |           |       |                |            |           |  |                |            |           |
|------|-----|--------------------|-----------|-------|----------------|------------|-----------|--|----------------|------------|-----------|
|      | 50  | Manboy             |           | 97-   | <b>MCB 665</b> | <b>EC</b>  |           |  | <b>MCS 800</b> |            |           |
|      | 50  | MXU                |           | 05-   | <b>MCS 800</b> | *          |           |  | <b>MCB 712</b> |            |           |
|      | 50  | Nexxon             |           | 08-   | <b>MCB 822</b> |            |           |  | <b>MCB 822</b> |            |           |
|      | 50  | People, People S   | B1        | 99-   | <b>MCB 712</b> | <b>SRM</b> |           |  | <b>MCS 826</b> |            |           |
|      | 50  | Sento              |           | 08-   | <b>MCB 689</b> | <b>EC</b>  |           |  | <b>MCS 800</b> |            |           |
|      | 50  | Sniper             |           | 94-   | <b>MCB 665</b> | <b>EC</b>  |           |  | <b>MCB 686</b> |            |           |
|      | 50  | Spacer             | SH10      | 97-   | <b>MCB 663</b> | <b>EC</b>  |           |  | <b>MCS 800</b> |            |           |
|      | 50  | Super 8            |           | 08-   | <b>MCB 712</b> | <b>SRM</b> |           |  |                |            |           |
|      | 50  | Super-9 LC, AC     | S1        | 00-   | <b>MCB 663</b> | <b>EC</b>  |           |  | <b>MCS 800</b> |            |           |
|      | 50  | Topboy on/off road | SF10      | 96-   | <b>MCB 665</b> | <b>EC</b>  |           |  | <b>MCS 800</b> |            |           |
|      | 50  | Topboy Racer/Cross | SF        | 97-   | <b>MCB 665</b> | <b>EC</b>  |           |  | <b>MCS 800</b> |            |           |
|      | 50  | Vitality 4 T       |           | 04-   | <b>MCB 689</b> | <b>EC</b>  |           |  | <b>MCS 800</b> |            |           |
|      | 50  | Yup                | S6        | 01-   | <b>MCB 689</b> | <b>EC</b>  |           |  | <b>MCS 800</b> |            |           |
| CX   | 50  | Curio              | KCP       | 5/95- | <b>MCB 665</b> | <b>EC</b>  |           |  | <b>MCS 825</b> |            |           |
| CX   | 50  | Super              | KCP       | 5/95- | <b>MCB 665</b> | <b>EC</b>  |           |  | <b>MCS 825</b> |            |           |
| DJ   | 50  |                    |           | 94-   | <b>MCS 800</b> |            |           |  | <b>MCS 825</b> |            |           |
| GT   | 50  | Yager              | SH10      | 01-   | <b>MCB 663</b> | <b>EC</b>  |           |  | <b>MCS 800</b> |            |           |
| K12  | 50  |                    |           | 95-   | <b>MCB 665</b> | <b>EC</b>  |           |  | <b>MCS 800</b> |            |           |
| KB   | 50  | Scout              | KB        | 95-   | <b>MCB 665</b> | <b>EC</b>  |           |  | <b>MCS 800</b> |            |           |
|      | 50  | Mxer               |           | 03-   | <b>MCS 800</b> | *          |           |  | <b>MCB 712</b> |            |           |
| ZX   | 50  | Fever              | KCA       | 5/95- | <b>MCB 665</b> | <b>EC</b>  |           |  | <b>MCS 825</b> |            |           |
| ZX   | 50  | Super Fever        | SC10      | 02-   | <b>MCB 665</b> | <b>EC</b>  |           |  | <b>MCS 825</b> |            |           |
|      | 90  | Manboy             |           | 97-   | <b>MCB 665</b> | <b>EC</b>  |           |  | <b>MCS 800</b> |            |           |
|      | 100 | Cobra Racer        | SF10      | 98-   | <b>MCB 689</b> | <b>EC</b>  |           |  | <b>MCS 800</b> |            |           |
|      | 100 | Topboy on/off road | SF10      | 97-   | <b>MCB 665</b> | <b>EC</b>  |           |  | <b>MCS 800</b> |            |           |
| KB   | 100 | Scout              |           | 95-   | <b>MCB 665</b> | <b>EC</b>  |           |  | <b>MCS 800</b> |            |           |
|      | 125 | Agility One        |           | 05-   | <b>MCB 689</b> | <b>EC</b>  |           |  | <b>MCS 800</b> |            |           |
|      | 125 | Agility MMC        |           | 09-   | <b>MCB 712</b> | <b>SRM</b> |           |  | <b>MCS 800</b> |            |           |
|      | 125 | Agility City       |           | 08-   | <b>MCB 712</b> | <b>SRM</b> |           |  | <b>MCB 663</b> | <b>SRM</b> | <b>EC</b> |
|      | 125 | Calypso            | KAF       | 99-   | <b>MCB 694</b> | <b>EC</b>  |           |  | <b>MCS 800</b> |            |           |
|      | 125 | Dink               | SH30/S3   | 96-99 | <b>MCB 663</b> | <b>SRM</b> | <b>EC</b> |  | <b>MCB 663</b> | <b>SRM</b> | <b>EC</b> |
|      | 125 | Downtown i         |           | 10-   | <b>MCB 598</b> | <b>SRM</b> |           |  | <b>MCB 830</b> |            |           |
|      | 125 | Grand Dink         | S4        | 01-   | <b>MCB 663</b> | <b>SRM</b> | <b>EC</b> |  | <b>MCB 663</b> | <b>SRM</b> | <b>EC</b> |
|      | 125 | G-Dink             |           | 12-   | <b>MCB 689</b> | <b>EC</b>  |           |  | <b>MCB 821</b> | <b>SRM</b> |           |
|      | 125 | Heroism            | KCZ/KAF   | 5/95- | <b>MCB 694</b> | <b>EC</b>  |           |  | <b>MCS 800</b> |            |           |
|      | 125 | Hipster            |           | 01-   | <b>MCB 663</b> | <b>SRM</b> | <b>EC</b> |  | <b>MCS 821</b> |            |           |
|      | 125 | Jetix              |           | 08-   | <b>MCB 525</b> |            |           |  |                |            |           |
|      | 125 | Like               |           | 09    | <b>MCB 712</b> | <b>SRM</b> |           |  | <b>MCB 663</b> | <b>SRM</b> | <b>EC</b> |
|      | 125 | Like               |           | 10-   | <b>MCB 582</b> | <b>SRM</b> |           |  | <b>MCB 663</b> | <b>SRM</b> | <b>EC</b> |
|      | 125 | Movie XL           | S5        | 97-   | <b>MCB 689</b> | <b>EC</b>  |           |  | <b>MCS 826</b> |            |           |
|      | 125 | Nexxon             |           | 08-   | <b>MCB 822</b> |            |           |  | <b>MCB 822</b> |            |           |
|      | 125 | New Dink           |           | 08-   | <b>MCB 663</b> | <b>SRM</b> | <b>EC</b> |  | <b>MCB 663</b> | <b>SRM</b> | <b>EC</b> |
|      | 125 | People GTi         |           | 12-   | <b>MCB 726</b> | <b>SRM</b> |           |  | <b>MCB 830</b> | <b>SRM</b> |           |
|      | 125 | People S           | rear drum | 01-   | <b>MCB 712</b> | <b>SRM</b> |           |  | <b>MCS 826</b> |            |           |
|      | 125 | People S           | rear disc | 07-   | <b>MCB 712</b> | <b>SRM</b> |           |  | <b>MCB 821</b> | <b>SRM</b> |           |
| GT   | 125 | Yager              | SH        | 01-   | <b>MCB 663</b> | <b>SRM</b> | <b>EC</b> |  | <b>MCB 663</b> | <b>SRM</b> | <b>EC</b> |
|      | 125 | Pulsar             | M2        | 01-   | <b>MCB 525</b> |            |           |  | <b>MCS 800</b> |            |           |
|      | 125 | Quannon, Naked     |           | 07-   | <b>MCB 663</b> | <b>SRM</b> | <b>EC</b> |  | <b>MCB 663</b> | <b>SRM</b> | <b>EC</b> |
|      | 125 | Spacer, LC         |           | 97-   | <b>MCB 663</b> | <b>SRM</b> | <b>EC</b> |  | <b>MCS 800</b> |            |           |
|      | 125 | Stryker on/off     | AF        | 01-   | <b>MCB 582</b> | <b>SRM</b> |           |  | <b>MCS 800</b> |            |           |
|      | 125 | Super Dink         |           | 10-   | <b>MCB 689</b> | <b>EC</b>  |           |  | <b>MCB 830</b> | <b>SRM</b> |           |
|      | 125 | Super-8            |           | 08-   | <b>MCB 712</b> | <b>SRM</b> |           |  | <b>MCS 826</b> |            |           |
|      | 125 | Super-9            |           | 00-   | <b>MCB 665</b> | <b>EC</b>  |           |  | <b>MCB 712</b> | <b>SRM</b> |           |
|      | 125 | Vivio              |           | 00-   | <b>MCB 689</b> | <b>EC</b>  |           |  | <b>MCS 800</b> |            |           |
|      | 125 | Zing               | RF25      | 96-   | <b>MCB 663</b> | <b>SRM</b> | <b>EC</b> |  | <b>MCS 817</b> |            |           |
|      | 125 | Zing II            |           |       | <b>MCB 663</b> | <b>SRM</b> | <b>EC</b> |  | <b>MCS 817</b> |            |           |
| MXER | 125 | /150               |           | 03-   | <b>MCS 800</b> |            |           |  | <b>MCB 712</b> |            |           |
|      | 150 | Heroism            | KBF       | 5/95- | <b>MCB 694</b> | <b>EC</b>  |           |  | <b>MCB 686</b> |            |           |
|      | 150 | Hipster            |           | 01-   | <b>MCB 663</b> | <b>SRM</b> | <b>EC</b> |  | <b>MCS 821</b> |            |           |
|      | 150 | Movie, XL New C    |           | 97-   | <b>MCB 663</b> | <b>SRM</b> | <b>EC</b> |  | <b>MCS 826</b> |            |           |
|      | 150 | MXU                |           | 05-   | <b>MCS 800</b> |            |           |  | <b>MCB 712</b> |            |           |
|      | 150 | People             |           | 01-   | <b>MCB 712</b> | <b>SRM</b> |           |  | <b>MCS 826</b> |            |           |
|      | 150 | Spacer             |           | 97-   | <b>MCB 663</b> | <b>SRM</b> | <b>EC</b> |  | <b>MCB 663</b> | <b>SRM</b> | <b>EC</b> |
|      | 150 | Straight           |           | 08-   | <b>MCB 822</b> |            |           |  | <b>MCB 822</b> |            |           |
|      | 150 | Vivio              |           | 00-   | <b>MCB 582</b> | <b>SRM</b> |           |  | <b>MCS 826</b> |            |           |
|      | 150 | Zing               |           | 96-   | <b>MCB 663</b> | <b>SRM</b> | <b>EC</b> |  | <b>MCS 817</b> |            |           |
|      | 200 | Downtown           |           | 10-   | <b>MCB 598</b> |            |           |  | <b>MCB 830</b> |            |           |
|      | 200 | Like i.            |           | 09    | <b>MCB 712</b> | <b>SRM</b> |           |  | <b>MCB 663</b> | <b>SRM</b> | <b>EC</b> |
|      | 200 | Like i.            |           | 10-   | <b>MCB 582</b> | <b>SRM</b> |           |  | <b>MCB 663</b> | <b>SRM</b> | <b>EC</b> |





## → KYMCO

|     |     |                   |           |    |       |                     |            |           |  |                    |            |           |
|-----|-----|-------------------|-----------|----|-------|---------------------|------------|-----------|--|--------------------|------------|-----------|
|     | 200 | New Dink i.       |           |    | 08-   | <b>MCB 663</b>      | <b>SRM</b> | <b>EC</b> |  | <b>MCB 663</b>     | <b>SRM</b> | <b>EC</b> |
|     | 200 | People            |           |    | 05-06 | <b>MCB 712</b>      | <b>SRM</b> |           |  | <b>MCS 826</b>     |            |           |
|     | 200 | People S i.       |           |    | 07-   | <b>MCB 712</b>      | <b>SRM</b> |           |  | <b>MCB 821</b>     | <b>SRM</b> |           |
|     | 200 | People GTi        |           |    | 12-   | <b>MCB 726 SRM</b>  |            |           |  | <b>MCB 830 SRM</b> |            |           |
| GT  | 200 | Yager i.          |           |    | 04-   | <b>MCB 663 SRM</b>  | <b>EC</b>  |           |  | <b>MCB 663 SRM</b> | <b>EC</b>  |           |
|     | 250 | Dink              |           |    | 00-   | <b>MCB 663 SRM</b>  | <b>EC</b>  |           |  | <b>MCB 663 SRM</b> | <b>EC</b>  |           |
|     | 250 | Grand Dink        | 4         | S7 | 00-   | <b>MCB 732 SRM</b>  |            |           |  | <b>MCB 733 SRM</b> |            |           |
|     | 250 | MXU               |           |    | 04-   | <b>MCB 760 SI *</b> |            |           |  | <b>MCB 732</b>     |            |           |
|     | 250 | Super-9           |           |    | 00-   | <b>MCB 665</b>      | <b>EC</b>  |           |  | <b>MCB 712</b>     | <b>SRM</b> |           |
|     | 250 | Venox             |           |    | 01-   | <b>MCB 598 SRM</b>  |            |           |  | <b>MCB 598 SRM</b> |            |           |
| KXR | 250 |                   |           |    | 04-   | <b>MCB 760 SI *</b> |            |           |  | <b>MCB 732</b>     | <b>SI</b>  |           |
|     | 250 | Urban Quad        |           |    | 06-   | <b>MCB 769 SI</b>   |            |           |  | <b>MCB 769 SI</b>  |            |           |
|     | 250 | People            |           |    | 03-06 | <b>MCB 663 SRM</b>  |            |           |  | <b>MCB 663 SRM</b> |            |           |
|     | 250 | People            | ←         |    | 07-   | <b>MCB 582 SRM</b>  |            |           |  | <b>MCB 821 SRM</b> |            |           |
|     | 250 | People            | →         |    | 07-   | <b>MCB 615 SRM</b>  |            |           |  |                    |            |           |
|     | 250 | Xciting           |           |    | 04-05 | <b>MCB 598 SRM</b>  |            |           |  | <b>MCB 598 SRM</b> |            |           |
|     | 250 | Xciting           |           |    | 06-   | <b>MCB 598 SRM</b>  |            |           |  | <b>MCB 821 SRM</b> |            |           |
|     | 300 | Downtown i, ABS   |           |    | 10-   | <b>MCB 598 SRM</b>  |            |           |  | <b>MCB 830 SRM</b> |            |           |
|     | 300 | G-Dink            |           |    | 12-   | <b>MCB 582 SRM</b>  |            |           |  | <b>MCB 821 SRM</b> |            |           |
|     | 300 | K-XCTi            |           |    | 12-   | <b>MCB 726 SRM</b>  |            |           |  | <b>MCB 821 SRM</b> |            |           |
|     | 300 | People GTi        |           |    | 12-   | <b>MCB 726 SRM</b>  |            |           |  | <b>MCB 830 SRM</b> |            |           |
|     | 300 | People S i        | ←         |    | 08-   | <b>MCB 582 SRM</b>  |            |           |  | <b>MCB 821 SRM</b> |            |           |
|     | 300 | People S i        | →         |    | 08-   | <b>MCB 615 SRM</b>  |            |           |  |                    |            |           |
|     | 300 | Maxxer            |           |    | 06-   | <b>MCB 760 SI *</b> |            |           |  | <b>MCB 732</b>     |            |           |
|     | 300 | MXU               |           |    | 05-   | <b>MCB 760 SI *</b> |            |           |  | <b>MCB 760 SI</b>  |            |           |
|     | 300 | Xciting i R       |           |    | 08-   | <b>MCB 598 SRM*</b> |            |           |  | <b>MCB 821 SRM</b> |            |           |
|     | 400 | Xciting i         |           |    | 12-   | <b>MCB 847 SRM*</b> |            |           |  | <b>MCB 845 SRM</b> |            |           |
|     | 400 | Maxxer            |           |    | 09-   | <b>MCB 773 SI *</b> |            |           |  | <b>MCB 773 SI</b>  |            |           |
|     | 400 | Maxxer            | Parkingb. |    | 09-   |                     |            |           |  | <b>MCB 832 P</b>   |            |           |
|     | 400 | MXU               |           |    | 08-   | <b>MCB 760 SI *</b> |            |           |  | <b>MCB 760 SI</b>  |            |           |
|     | 400 | MXU               | Parkingb. |    | 08-   |                     |            |           |  | <b>MCB 832 P</b>   |            |           |
|     | 500 | MXU               |           |    | 05-   | <b>MCB 760 SI *</b> |            |           |  | <b>MCB 760 SI</b>  |            |           |
| UXV | 500 |                   |           |    | 08-   | <b>MCB 760 SI *</b> |            |           |  | <b>MCB 760 SI</b>  |            |           |
|     | 500 | Xciting           |           |    | 05-   | <b>MCB 598 SRM*</b> |            |           |  | <b>MCB 845 SRM</b> |            |           |
|     | 500 | Xciting R ABS     |           |    | 09-   | <b>MCB 598 SRM*</b> |            |           |  | <b>MCB 845 SRM</b> |            |           |
|     | 500 | Xciting i Evo ABS |           |    | 11-   | <b>MCB 598 SRM*</b> |            |           |  | <b>MCB 845 SRM</b> |            |           |
|     | 700 | Myroad            |           |    | 09-   | <b>MCB 598 SRM*</b> |            |           |  | <b>MCB 845 SRM</b> |            |           |

## Laverda

|    |     |                      |        |  |       |                     |           |            |            |                   |           |  |
|----|-----|----------------------|--------|--|-------|---------------------|-----------|------------|------------|-------------------|-----------|--|
|    | 50  | Quasar               |        |  | 04-   | <b>MCS 832</b>      |           |            |            | <b>MCS 805</b>    |           |  |
|    | 100 | Quasar               |        |  | 04-   | <b>MCS 832</b>      |           |            |            | <b>MCS 805</b>    |           |  |
|    | 125 | /150/250 Phoenix     |        |  | 01-04 |                     |           |            |            | <b>MCB 712</b>    |           |  |
| HP | 125 | Quasar               |        |  | 04-   |                     |           |            |            | <b>MCB 763 SI</b> |           |  |
| HP | 180 | Quasar               |        |  | 04-   |                     |           |            |            | <b>MCB 763 SI</b> |           |  |
|    | 350 | Alpino               |        |  |       | <b>MCB 75 *</b>     |           |            |            | <b>MCB 75</b>     |           |  |
|    | 350 | PF                   |        |  |       | <b>MCB 75 *</b>     |           |            |            | <b>MCB 75</b>     |           |  |
|    | 350 | RS                   |        |  |       | <b>MCB 75 *</b>     |           |            |            | <b>MCB 75</b>     |           |  |
| GS | 350 | Lesmo                |        |  | 86    | <b>MCB 75 *</b>     |           |            |            | <b>MCB 75</b>     |           |  |
|    | 400 | Quasar 4x4           |        |  | 04-   | <b>MCB 763 SI *</b> |           |            |            | <b>MCB 763 SI</b> |           |  |
|    | 500 | Alpino S             |        |  | 77-   | <b>MCB 75 *</b>     |           |            |            | <b>MCB 19</b>     |           |  |
|    | 500 | Quasar 4x4           |        |  | 04-   | <b>MCB 763 SI *</b> |           |            |            | <b>MCB 763 SI</b> |           |  |
|    | 500 | SFC                  |        |  |       | <b>MCB 19 *</b>     |           |            |            | <b>MCB 19</b>     |           |  |
|    | 600 | SF2, SF3             |        |  | 74-78 | <b>MCB 19 *</b>     |           |            |            |                   |           |  |
|    | 600 | SFC                  |        |  | 86    | <b>MCB 19 *</b>     |           |            |            | <b>MCB 19</b>     |           |  |
| OR | 600 | Atlas                |        |  | 86    | <b>MCB 563</b>      |           |            |            | <b>MCB 75</b>     |           |  |
|    | 650 | Formula              |        |  | 95-   | <b>MCB 540 *</b>    | <b>SV</b> |            |            | <b>MCB 75</b>     | <b>RQ</b> |  |
|    | 650 | Ghost                |        |  | 96-   | <b>MCB 540 *</b>    | <b>SV</b> |            |            | <b>MCB 75</b>     | <b>RQ</b> |  |
|    | 650 | Legend               |        |  | 96-   | <b>MCB 540 *</b>    | <b>SV</b> |            |            | <b>MCB 75</b>     | <b>RQ</b> |  |
|    | 650 | Lynx                 |        |  | 00-   | <b>MCB 540 *</b>    | <b>SV</b> |            |            | <b>MCB 75</b>     | <b>RQ</b> |  |
|    | 650 | Sport                |        |  | 95-   | <b>MCB 540 *</b>    | <b>SV</b> |            |            | <b>MCB 75</b>     | <b>RQ</b> |  |
|    | 650 | Strike               |        |  | 96-   | <b>MCB 540 *</b>    | <b>SV</b> |            |            | <b>MCB 75</b>     | <b>RQ</b> |  |
|    | 668 | Ghost                | ZLVSPA |  | 96-   | <b>MCB 540 *</b>    | <b>SV</b> |            |            | <b>MCB 75</b>     | <b>RQ</b> |  |
|    | 668 | Strike               |        |  | 96-   | <b>MCB 540 *</b>    | <b>SV</b> |            |            | <b>MCB 75</b>     | <b>RQ</b> |  |
|    | 750 | Cup                  |        |  | 98-   | <b>MCB 540 *</b>    | <b>SV</b> |            |            | <b>MCB 75</b>     | <b>RQ</b> |  |
|    | 750 | Diamante             | ZLVSPA |  | 98-   | <b>MCB 540 *</b>    | <b>SV</b> |            |            | <b>MCB 75</b>     | <b>RQ</b> |  |
|    | 750 | S Formula            |        |  | 98-   | <b>MCB 540 *</b>    | <b>SV</b> |            |            | <b>MCB 75</b>     | <b>RQ</b> |  |
|    | 750 | S, S Carenata        |        |  | 98-   | <b>MCB 540 *</b>    | <b>SV</b> |            |            | <b>MCB 75</b>     | <b>RQ</b> |  |
|    | 750 | Sport, SS Supersport |        |  | 99-   | <b>MCB 540 *</b>    | <b>SV</b> | <b>SRQ</b> | <b>CRQ</b> | <b>MCB 75</b>     | <b>RQ</b> |  |
|    | 750 | Strike               |        |  | 98-   | <b>MCB 540 *</b>    | <b>SV</b> |            |            | <b>MCB 75</b>     | <b>RQ</b> |  |







## → LAVERDA

|     |                |  |       |                |   |           |            |            |  |                |           |  |  |
|-----|----------------|--|-------|----------------|---|-----------|------------|------------|--|----------------|-----------|--|--|
|     | 750 T8         |  | 98-   | <b>MCB 540</b> | * | <b>SV</b> |            |            |  | <b>MCB 75</b>  | <b>RQ</b> |  |  |
| TTS | 800            |  | 99-   | <b>MCB 540</b> | * | <b>SV</b> | <b>SRQ</b> | <b>CRQ</b> |  | <b>MCB 701</b> |           |  |  |
|     | 1000           |  | 78-86 | <b>MCB 19</b>  | * |           |            |            |  | <b>MCB 19</b>  |           |  |  |
|     | 1000 Executive |  | 83-86 | <b>MCB 19</b>  | * |           |            |            |  | <b>MCB 19</b>  |           |  |  |
|     | 1000 Jota      |  | 76-   | <b>MCB 19</b>  | * |           |            |            |  | <b>MCB 19</b>  |           |  |  |
|     | 1000 RGA-Jota  |  | 86    | <b>MCB 19</b>  | * |           |            |            |  | <b>MCB 19</b>  |           |  |  |
|     | 1000 RGS       |  | 83-86 | <b>MCB 19</b>  | * |           |            |            |  | <b>MCB 19</b>  |           |  |  |
|     | 1000 SFC       |  | 85    | <b>MCB 19</b>  | * |           |            |            |  | <b>MCB 19</b>  |           |  |  |
|     | 1000 TGA       |  | 83-86 | <b>MCB 19</b>  | * |           |            |            |  | <b>MCB 19</b>  |           |  |  |

## Lifan

|    |                  |  |     |                |  |           |  |  |  |                |  |  |  |
|----|------------------|--|-----|----------------|--|-----------|--|--|--|----------------|--|--|--|
| LF | 50 Ogy (Aero 50) |  |     | <b>MCB 590</b> |  | <b>EC</b> |  |  |  | <b>MCS 800</b> |  |  |  |
|    | 125 Offroad      |  | 07- | <b>MCB 844</b> |  |           |  |  |  | <b>MCB 846</b> |  |  |  |

## Linhai

|    |           |  |     |                |  |  |  |  |  |  |  |  |  |
|----|-----------|--|-----|----------------|--|--|--|--|--|--|--|--|--|
| LH | 50 Police |  | 07- | <b>MCB 539</b> |  |  |  |  |  |  |  |  |  |
|    | 125 Eggy  |  | 07- | <b>MCB 539</b> |  |  |  |  |  |  |  |  |  |

## LML-Vespa

|      |            |  |     |                |  |           |           |  |  |                |  |  |  |
|------|------------|--|-----|----------------|--|-----------|-----------|--|--|----------------|--|--|--|
| Star | 125 Deluxe |  |     | <b>MCB 695</b> |  | <b>EC</b> | <b>SR</b> |  |  | <b>MCS 980</b> |  |  |  |
| NV   | 150        |  | 95- | <b>MCS 980</b> |  |           |           |  |  | <b>MCS 980</b> |  |  |  |
| T5   | 150        |  | 95- | <b>MCS 980</b> |  |           |           |  |  | <b>MCS 980</b> |  |  |  |
| NV   | 200        |  | 95- | <b>MCS 980</b> |  |           |           |  |  | <b>MCS 980</b> |  |  |  |
| T5   | 200        |  | 95- | <b>MCS 980</b> |  |           |           |  |  | <b>MCS 980</b> |  |  |  |

## Maico

|  |                      |  |     |                   |  |            |  |           |  |                   |            |           |  |
|--|----------------------|--|-----|-------------------|--|------------|--|-----------|--|-------------------|------------|-----------|--|
|  | 250 Motocross/Enduro |  | 99- | <b>MCB 648 SI</b> |  | <b>RSI</b> |  | <b>EC</b> |  | <b>MCB 672 SI</b> | <b>RSI</b> | <b>EC</b> |  |
|  | 500 Motocross/Enduro |  | 99- | <b>MCB 648 SI</b> |  | <b>RSI</b> |  | <b>EC</b> |  | <b>MCB 672 SI</b> | <b>RSI</b> | <b>EC</b> |  |
|  | 500 Supermotard      |  | 99- | <b>MCB 648 SI</b> |  | <b>RSI</b> |  | <b>EC</b> |  | <b>MCB 672 SI</b> | <b>RSI</b> | <b>EC</b> |  |
|  | Alle Modelle         |  | 86- | <b>MCB 550</b>    |  |            |  |           |  | <b>MCB 550</b>    |            |           |  |

## Malaguti

|        |                    |       |       |                |  |            |           |  |  |                |           |           |  |
|--------|--------------------|-------|-------|----------------|--|------------|-----------|--|--|----------------|-----------|-----------|--|
|        | 50 Ciak            | 52    | 00-   | <b>MCB 674</b> |  | <b>EC</b>  | <b>SR</b> |  |  | <b>MCS 800</b> |           |           |  |
|        | 50 Ciak Twin Disk  | 52    | 02-   | <b>MCB 674</b> |  | <b>EC</b>  | <b>SR</b> |  |  | <b>MCB 674</b> | <b>EC</b> | <b>SR</b> |  |
|        | 50 CX              |       | 85-   | <b>MCB 564</b> |  | <b>SR</b>  |           |  |  |                |           |           |  |
|        | 50 Enduro          |       | 85-   | <b>MCB 75</b>  |  | <b>SI</b>  |           |  |  |                |           |           |  |
|        | 50 Fifty Full      |       | 85-   | <b>MCB 564</b> |  | <b>SR</b>  |           |  |  |                |           |           |  |
|        | 50 Fifty Mistral   |       | 90-   | <b>MCB 564</b> |  | <b>SR</b>  |           |  |  |                |           |           |  |
|        | 50 Raid            |       | 91-   | <b>MCB 564</b> |  | <b>SR</b>  |           |  |  | <b>MCS 800</b> |           |           |  |
|        | 50 Top             |       | 85-   | <b>MCB 564</b> |  | <b>SR</b>  |           |  |  |                |           |           |  |
|        | 50 Yesterday       | 45    | 97-   | <b>MCB 674</b> |  | <b>EC</b>  | <b>SR</b> |  |  | <b>MCS 800</b> |           |           |  |
| Dune   | 50 ES              |       | 89    | <b>MCB 75</b>  |  | <b>SI</b>  |           |  |  |                |           |           |  |
| EL     | 50 Crosser         | 43    | 95-97 | <b>MCB 564</b> |  | <b>SR</b>  |           |  |  |                |           |           |  |
| EL     | 50 Crosser         | 43    | 98-   | <b>MCB 674</b> |  | <b>EC</b>  | <b>SR</b> |  |  |                |           |           |  |
| F-10   | 50 Jetline         |       | 92-93 | <b>MCB 517</b> |  |            |           |  |  | <b>MCS 800</b> |           |           |  |
| F-10   | 50 Jetline         |       | 94-   | <b>MCB 696</b> |  | <b>EC</b>  | <b>SR</b> |  |  | <b>MCS 800</b> |           |           |  |
| F-10   | 50 WAP             | 48    | 03-   | <b>MCB 674</b> |  | <b>EC</b>  | <b>SR</b> |  |  | <b>MCS 800</b> |           |           |  |
| F-10   | 50 Tribal          |       | 08-   | <b>MCB 674</b> |  | <b>EC</b>  | <b>SR</b> |  |  |                |           |           |  |
| F-12   | 50 Phantom         | 62    | 94-97 | <b>MCB 564</b> |  | <b>SR</b>  |           |  |  | <b>MCS 800</b> |           |           |  |
| F-12   | 50 Phantom         |       | 98-   | <b>MCB 578</b> |  |            |           |  |  | <b>MCB 674</b> | <b>EC</b> | <b>SR</b> |  |
| F-12 R | 50 Phantom A.C.    | 62    | 02-   | <b>MCB 674</b> |  | <b>EC</b>  | <b>SR</b> |  |  | <b>MCS 800</b> |           |           |  |
| F-12 R | 50 Phantom L.C. dd | 62    | 00-   | <b>MCB 674</b> |  | <b>EC</b>  | <b>SR</b> |  |  | <b>MCB 674</b> | <b>EC</b> | <b>SR</b> |  |
| F-15   | 50 Firefox         |       | 96-98 | <b>MCB 578</b> |  |            |           |  |  | <b>MCS 800</b> |           |           |  |
| F-15   | 50 Firefox         |       | 98-   | <b>MCB 578</b> |  |            |           |  |  | <b>MCB 674</b> | <b>EC</b> | <b>SR</b> |  |
| F-15   | 50 Firefox L.C.    | 44    | 01-   | <b>MCB 674</b> |  | <b>EC</b>  | <b>SR</b> |  |  | <b>MCB 674</b> | <b>EC</b> | <b>SR</b> |  |
| F-15   | 50 Mechatronic     |       | 03-   | <b>MCB 674</b> |  | <b>EC</b>  | <b>SR</b> |  |  | <b>MCB 674</b> | <b>EC</b> | <b>SR</b> |  |
| MDX    | 50                 |       | 86-   | <b>MCB 522</b> |  |            |           |  |  |                |           |           |  |
| MEX    | 50                 |       | 86-   | <b>MCB 517</b> |  |            |           |  |  |                |           |           |  |
| MFX    | 50                 |       | 86-   | <b>MCB 517</b> |  |            |           |  |  |                |           |           |  |
| MRX    | 50                 |       | 89    | <b>MCB 75</b>  |  | <b>SI</b>  |           |  |  |                |           |           |  |
| NKD    | 50 Drakon          |       | 05-   | <b>MCB 700</b> |  |            |           |  |  | <b>MCB 535</b> |           |           |  |
| RST    | 50                 |       | 90    | <b>MCB 75</b>  |  |            |           |  |  | <b>MCB 75</b>  |           |           |  |
| SL     | 50 Centro          | 36    | 94-96 | <b>MCB 578</b> |  |            |           |  |  | <b>MCS 800</b> |           |           |  |
| SL     | 50 Centro          | ZJM42 | 97-   | <b>MCB 674</b> |  | <b>EC</b>  | <b>SR</b> |  |  | <b>MCS 800</b> |           |           |  |
|        | 50 Centro          |       | 08-   | <b>MCB 519</b> |  | <b>EC</b>  | <b>SR</b> |  |  | <b>MCS 994</b> |           |           |  |
| XL     | 50 Sport           |       | 83-   | <b>MCB 508</b> |  |            |           |  |  |                |           |           |  |
| 25, 40 | 80 Chopper Fifty   |       | 83-   | <b>MCB 508</b> |  |            |           |  |  |                |           |           |  |
| F-12   | 100 Phantom A.C.   | 50    | 00-   | <b>MCB 674</b> |  | <b>EC</b>  | <b>SR</b> |  |  | <b>MCB 674</b> | <b>EC</b> | <b>SR</b> |  |
|        | 125 Blog i.e.      |       | 09-   | <b>MCB 582</b> |  | <b>SRM</b> |           |  |  | <b>MCB 539</b> |           |           |  |
|        | 125 Centro i.e.    |       | 08-   | <b>MCB 582</b> |  | <b>SRM</b> |           |  |  | <b>MCB 539</b> |           |           |  |





## → MALAGUTI

|      |     |                   |    |       |                    |            |           |                    |            |           |
|------|-----|-------------------|----|-------|--------------------|------------|-----------|--------------------|------------|-----------|
|      | 125 | Ciak, Ciak Master | 59 | 02-   | <b>MCB 674</b>     | <b>EC</b>  | <b>SR</b> | <b>MCS 800</b>     |            |           |
|      | 125 | Madison           | 53 | 99-   | <b>MCB 664</b>     | <b>EC</b>  | <b>SR</b> | <b>MCB 710</b>     | <b>SRM</b> | <b>EC</b> |
|      | 125 | Madison 3         |    | 08-   | <b>MCB 671</b>     |            |           | <b>MCB 710</b>     | <b>SRM</b> | <b>EC</b> |
|      | 125 | Sport City Cube   |    | 08-   | <b>MCB 557</b>     | <b>SRM</b> |           | <b>MCB 710</b>     | <b>SRM</b> | <b>EC</b> |
| F-18 | 125 | Warrior           | 57 | 00-03 | <b>MCB 674</b>     | <b>EC</b>  | <b>SR</b> | <b>MCB 710</b>     | <b>SRM</b> | <b>EC</b> |
| MF   | 125 | Runner            |    | 86-   | <b>MCB 508</b>     |            |           |                    |            |           |
| MF   | 125 | Runner            |    | 87-   | <b>MCB 557</b>     |            |           |                    |            |           |
| F-18 | 150 | Warrior           |    | 00-03 | <b>MCB 696</b>     | <b>EC</b>  | <b>SR</b> | <b>MCB 696</b>     | <b>EC</b>  | <b>SR</b> |
|      | 160 | Blog i.e.         |    | 09-   | <b>MCB 582 SRM</b> |            |           | <b>MCB 539</b>     |            |           |
|      | 160 | Centro i.e.       |    | 08-   | <b>MCB 582 SRM</b> |            |           | <b>MCB 539</b>     |            |           |
|      | 200 | Sport City Cube   |    | 08-   | <b>MCB 557 SRM</b> |            |           | <b>MCB 710 SRM</b> | <b>EC</b>  |           |
|      | 200 | Madison           |    | 03-   | <b>MCB 664 SRM</b> |            |           | <b>MCB 710 SRM</b> |            |           |
|      | 250 | Madison           | 54 | 00-03 | <b>MCB 726 SRM</b> |            |           | <b>MCB 710 SRM</b> |            |           |
|      | 250 | Madison 3 i.e.    |    | 08-   | <b>MCB 671</b>     |            |           | <b>MCB 710 SRM</b> |            |           |
|      | 250 | Password i.e.     |    | 06-   | <b>MCB 734</b>     |            |           | <b>MCB 710 SRM</b> |            |           |
|      | 250 | Sport City Cube   |    | 08-   | <b>MCB 557 SRM</b> |            |           | <b>MCB 710 SRM</b> |            |           |
|      | 300 | Sport City Cube   |    | 08-   | <b>MCB 557 SRM</b> |            |           | <b>MCB 710 SRM</b> |            |           |
| K    | 400 | Madison           | 61 | 01-   | <b>MCB 726 SRM</b> |            |           | <b>MCB 710 SRM</b> |            |           |
| MGX  | 425 | Ronco             |    | 87-   | <b>MCB 517</b>     |            |           |                    |            |           |
| MGX  | 450 | Ronco             |    | 87-   | <b>MCB 564</b>     |            |           |                    |            |           |
| GT   | 500 | Spidermax         |    | 04-   | <b>MCB 557 SRM</b> |            |           | <b>MCB 700 SRM</b> |            |           |
| RS   | 500 | Spidermax         |    | 09-   | <b>MCB 557 SRM</b> |            |           | <b>MCB 700 SRM</b> |            |           |

## Malanca

|     |     |       |  |     |                |   |  |                |  |  |
|-----|-----|-------|--|-----|----------------|---|--|----------------|--|--|
| GTI | 80  |       |  |     | <b>MCB 552</b> | * |  | <b>MCB 552</b> |  |  |
|     | 125 | Mark  |  | 85- | <b>MCB 75</b>  |   |  |                |  |  |
| E2  | 125 | Sport |  |     | <b>MCB 552</b> | * |  | <b>MCB 552</b> |  |  |
| GTI | 125 |       |  |     | <b>MCB 552</b> | * |  | <b>MCB 552</b> |  |  |

## Massey Ferguson

|    |     |              |  |     |                   |   |  |                   |  |  |
|----|-----|--------------|--|-----|-------------------|---|--|-------------------|--|--|
| MF | 250 | 2WD/4WD      |  | 04- | <b>MCB 763 SI</b> | * |  | <b>MCB 763 SI</b> |  |  |
| MF | 300 | 2WD/4WD      |  | 04- | <b>MCB 763 SI</b> | * |  | <b>MCB 763 SI</b> |  |  |
| MF | 400 | 4WD          |  | 04- | <b>MCB 763 SI</b> | * |  | <b>MCB 763 SI</b> |  |  |
| MF | 500 | 4WD TBX Auto |  | 04- | <b>MCB 763 SI</b> | * |  | <b>MCB 763 SI</b> |  |  |

## MBK

|     |     |                         |      |       |                |            |           |                |            |           |
|-----|-----|-------------------------|------|-------|----------------|------------|-----------|----------------|------------|-----------|
|     | 50  | X-Power                 |      | 04-   | <b>MCB 734</b> | <b>EC</b>  |           | <b>MCB 539</b> |            |           |
| CS  | 50  | Mach G AC/LC            | SA22 | 02-   | <b>MCB 644</b> | <b>EC</b>  |           | <b>MCS 962</b> |            |           |
| CV  | 50  | Evolis                  |      | 92    | <b>MCB 644</b> | <b>EC</b>  |           | <b>MCS 962</b> |            |           |
| CV  | 50  | Evolis                  |      | 93-   | <b>MCB 590</b> | <b>EC</b>  |           | <b>MCS 962</b> |            |           |
| BW  | 50  | alle Modelle            |      | 90-96 | <b>MCS 956</b> |            |           | <b>MCS 956</b> |            |           |
| BW  | 50  | Booster Road            |      | 94-95 | <b>MCB 644</b> | <b>EC</b>  |           | <b>MCS 962</b> |            |           |
| CW  | 50  | Booster Next Generation | 4VA  | 96-   | <b>MCB 644</b> | <b>EC</b>  |           | <b>MCS 962</b> |            |           |
| CW  | 50  | Booster Rocket          |      | 95-   | <b>MCB 644</b> | <b>EC</b>  |           | <b>MCS 962</b> |            |           |
| CW  | 50  | Booster Spirit          | SA05 | 00-   | <b>MCB 674</b> | <b>EC</b>  | <b>SR</b> | <b>MCS 962</b> |            |           |
| CW  | 50  | Booster Track           | 4VA  | 96-   | <b>MCB 644</b> | <b>EC</b>  |           | <b>MCS 956</b> |            |           |
| CW  | 50  | Fizz                    |      | 94-   | <b>MCB 644</b> | <b>EC</b>  |           | <b>MCS 962</b> |            |           |
| CY  | 50  | Forte                   |      | 96-   | <b>MCB 644</b> | <b>EC</b>  |           | <b>MCS 962</b> |            |           |
| EW  | 50  | Stunt                   | SA09 | 00-   | <b>MCB 701</b> | <b>EC</b>  | <b>SR</b> | <b>MCS 962</b> |            |           |
| YH  | 50  | Flipper                 | SA03 | 99-   | <b>MCB 674</b> | <b>EC</b>  | <b>SR</b> | <b>MCS 956</b> |            |           |
| YN  | 50  | Ovetto                  | 5AD  | 96-   | <b>MCB 644</b> | <b>EC</b>  |           | <b>MCS 962</b> |            |           |
| YP  | 50  | Nitro                   | 5BR  | 97-00 | <b>MCB 644</b> | <b>EC</b>  |           | <b>MCB 701</b> | <b>EC</b>  | <b>SR</b> |
| YP  | 50  | Nitro                   | SA14 | 01-   | <b>MCB 644</b> | <b>EC</b>  |           | <b>MCB 701</b> | <b>EC</b>  | <b>SR</b> |
| CV  | 80  | Evolis                  |      | 94-   | <b>MCB 590</b> | <b>EC</b>  |           | <b>MCS 962</b> |            |           |
| YN  | 100 | Ovetto                  | SB04 | 00-   | <b>MCB 674</b> | <b>EC</b>  | <b>SR</b> | <b>MCS 968</b> |            |           |
| YP  | 100 | Nitro                   | SB05 | 00-   | <b>MCB 674</b> | <b>EC</b>  | <b>SR</b> | <b>MCS 968</b> |            |           |
| YW  | 100 | Booster                 | SB02 | 01-   | <b>MCB 590</b> | <b>EC</b>  |           | <b>MCS 968</b> |            |           |
| XC  | 125 | Flame R/F               | SE03 | 96-04 | <b>MCB 539</b> |            |           | <b>MCS 962</b> |            |           |
| NXC | 125 | Flame                   |      | 05-09 | <b>MCB 774</b> |            |           | <b>MCS 962</b> |            |           |
| NXC | 125 | Flame                   |      | 10-   | <b>MCB 839</b> |            |           | <b>MCS 962</b> |            |           |
| XN  | 125 | Doodo                   |      | 01-03 | <b>MCB 674</b> | <b>EC</b>  | <b>SR</b> | <b>MCS 968</b> |            |           |
| XQ  | 125 | Thunder                 | SE05 | 01-   | <b>MCB 648</b> | <b>SRM</b> |           | <b>MCB 700</b> | <b>SRM</b> |           |
| XP  | 125 | Skycruiser              |      | 06-   | <b>MCB 648</b> | <b>SRM</b> |           | <b>MCB 700</b> | <b>SRM</b> |           |
| YP  | 125 | Skyliner                |      | 96-00 | <b>MCB 648</b> | <b>SRM</b> |           | <b>MCS 968</b> |            |           |
| YP  | 125 | Skyliner                | SE06 | 01-   | <b>MCB 648</b> | <b>SRM</b> |           | <b>MCB 700</b> | <b>SRM</b> |           |
| YW  | 125 | Z X-over                |      | 10-   | <b>MCB 835</b> |            |           |                |            |           |
|     | 150 | Skyliner                |      | 99-00 | <b>MCB 666</b> | <b>SRM</b> |           | <b>MCS 958</b> |            |           |
|     | 150 | Skyliner R              |      | 01-   | <b>MCB 666</b> | <b>SRM</b> |           | <b>MCB 700</b> | <b>SRM</b> |           |
| XQ  | 150 | Thunder                 | SG06 | 02-   | <b>MCB 648</b> | <b>SRM</b> |           | <b>MCB 700</b> | <b>SRM</b> |           |





### → MBK

|    |              |  |     |                    |            |  |  |                    |            |
|----|--------------|--|-----|--------------------|------------|--|--|--------------------|------------|
|    | 180 Skyliner |  | 04- | <b>MCB 648</b>     | <b>SRM</b> |  |  | <b>MCB 700</b>     | <b>SRM</b> |
| YP | 250 Skyliner |  | 00- | <b>MCB 666 SRM</b> |            |  |  | <b>MCB 699 SRM</b> |            |
| VP | 300 Kilibre  |  | 03- | <b>MCB 648 SRM</b> |            |  |  | <b>MCB 648 SRM</b> |            |
| VP | 400 Skyliner |  | 04- | <b>MCB 666 SRM</b> |            |  |  | <b>MCB 722 SRM</b> |            |

### Montesa

|  |              |  |     |                |           |  |           |               |           |
|--|--------------|--|-----|----------------|-----------|--|-----------|---------------|-----------|
|  | Alle Modelle |  | 88- | <b>MCB 535</b> | <b>RQ</b> |  | <b>EC</b> | <b>MCB 75</b> | <b>RQ</b> |
|--|--------------|--|-----|----------------|-----------|--|-----------|---------------|-----------|

### Moto Guzzi

|      |                                  |    |       |                |                   |           |            |                |                |
|------|----------------------------------|----|-------|----------------|-------------------|-----------|------------|----------------|----------------|
|      | 125 Custom                       |    | 85    | <b>MCB 75</b>  |                   |           |            |                |                |
|      | 350 Falcone                      |    | 88    | <b>MCB 75</b>  | <b>RQ</b>         |           |            | <b>MCB 75</b>  |                |
|      | 350 Imola                        |    | 78    | <b>MCB 75</b>  | <b>*</b>          | <b>RQ</b> |            | <b>MCB 75</b>  |                |
|      | 350 NTX                          |    | 88-   | <b>MCB 75</b>  | <b>*</b>          | <b>RQ</b> |            | <b>MCB 75</b>  |                |
|      | 400                              |    | 79    | <b>MCB 75</b>  | <b>*</b>          | <b>RQ</b> |            | <b>MCB 75</b>  |                |
|      | 500 Monza                        |    | 77-85 | <b>MCB 75</b>  | <b>*</b>          | <b>RQ</b> |            | <b>MCB 75</b>  |                |
|      | 650                              |    | 80-85 | <b>MCB 75</b>  | <b>*</b>          | <b>RQ</b> |            | <b>MCB 75</b>  |                |
|      | 650 Florida                      |    | 92    | <b>MCB 75</b>  | <b>*</b>          | <b>RQ</b> |            | <b>MCB 75</b>  |                |
|      | 650 GT Sessantacinque            |    | 89    | <b>MCB 75</b>  | <b>*</b>          | <b>RQ</b> |            | <b>MCB 75</b>  |                |
|      | 650 Nevada                       |    | 92-01 | <b>MCB 75</b>  | <b>*</b>          |           |            | <b>MCB 75</b>  |                |
|      | 650 NTX                          |    | 87-   | <b>MCB 19</b>  |                   |           |            | <b>MCB 19</b>  |                |
|      | 750 Enduro                       |    | 86    | <b>MCB 19</b>  | <b>*</b>          |           |            | <b>MCB 19</b>  |                |
|      | 750 Nevada                       |    | 92-02 | <b>MCB 75</b>  | <b>*</b>          |           |            | <b>MCB 75</b>  |                |
|      | 750 Nevada, Nevada Classic       | LK | 03-   | <b>MCB 683</b> | <b>SV</b>         |           |            | <b>MCB 700</b> | <b>RQ</b>      |
|      | 750 NTX                          |    | 90-   | <b>MCB 19</b>  | <b>SV</b>         |           |            | <b>MCB 19</b>  |                |
|      | 750 SP                           |    | 92-   | <b>MCB 75</b>  | <b>*</b>          | <b>RQ</b> |            | <b>MCB 75</b>  | <b>RQ</b>      |
|      | 750 T                            |    | 92-   | <b>MCB 75</b>  | <b>*</b>          | <b>RQ</b> |            | <b>MCB 75</b>  | <b>RQ</b>      |
|      | 750 Targa                        |    | 92-   | <b>MCB 75</b>  | <b>*</b>          | <b>RQ</b> |            | <b>MCB 75</b>  | <b>RQ</b>      |
| V    | 750 Brevia i.e.                  | LL | 03-   | <b>MCB 683</b> | <b>SV</b>         |           |            | <b>MCB 700</b> | <b>RQ</b>      |
| V-7  | 750 Classic, Cafe Classic, Racer |    | 08-   | <b>MCB 683</b> | <b>SV</b>         |           |            | <b>MCB 700</b> | <b>RQ</b>      |
|      | 850 Le Mans                      |    | 76-85 | <b>MCB 19</b>  | <b>*</b>          | <b>RQ</b> |            | <b>MCB 19</b>  |                |
|      | 850 T3, T4, T5                   |    | 76-85 | <b>MCB 19</b>  | <b>*</b>          | <b>RQ</b> |            | <b>MCB 19</b>  | <b>RQ</b>      |
|      | 850 T5 N.T.                      |    | 86    | <b>MCB 19</b>  | <b>*</b>          | <b>RQ</b> |            | <b>MCB 19</b>  | <b>RQ</b>      |
|      | 850 Brevia                       |    | 05-   | <b>MCB 683</b> | <b>*</b>          | <b>SV</b> |            | <b>MCB 648</b> | <b>SH</b>      |
|      | 850 Griso                        |    | 05-   | <b>MCB 683</b> | <b>*</b>          | <b>SV</b> |            | <b>MCB 648</b> | <b>SH</b>      |
|      | 850 Norge                        |    | 06-   | <b>MCB 683</b> | <b>*</b>          | <b>SV</b> |            | <b>MCB 648</b> | <b>SH</b>      |
|      | 940 Bellagio                     |    | 07-   | <b>MCB 683</b> | <b>*</b>          | <b>SV</b> |            | <b>MCB 648</b> | <b>SH</b>      |
|      | 1000 California I                |    | 81-   | <b>MCB 533</b> | <b>*</b>          |           |            | <b>MCB 533</b> |                |
|      | 1000 California II               |    | 85    | <b>MCB 19</b>  | <b>*</b>          | <b>RQ</b> |            | <b>MCB 19</b>  | <b>RQ</b>      |
|      | 1000 California III C            |    | 91-   | <b>MCB 19</b>  | <b>*</b>          | <b>SV</b> |            | <b>MCB 19</b>  | <b>RQ</b>      |
|      | 1000 California III,             |    | 89    | <b>MCB 19</b>  | <b>*</b>          | <b>SV</b> |            | <b>MCB 19</b>  | <b>RQ</b>      |
|      | 1000 Le Mans III                 |    | 79-84 | <b>MCB 19</b>  | <b>SV</b>         | <b>RQ</b> |            | <b>MCB 533</b> |                |
|      | 1000 Le Mans IV                  |    | 85    | <b>MCB 19</b>  | <b>*</b>          | <b>RQ</b> |            | <b>MCB 19</b>  | <b>RQ</b>      |
|      | 1000 Mille GT                    |    | 91-   | <b>MCB 19</b>  | <b>*</b>          | <b>SV</b> |            | <b>MCB 19</b>  | <b>RQ</b>      |
|      | 1000 Quota I.E.                  |    | 92-   | <b>MCB 572</b> |                   |           |            | <b>MCB 618</b> |                |
|      | 1000 S                           |    | 90    | <b>MCB 19</b>  | <b>*</b>          | <b>SV</b> |            | <b>MCB 19</b>  | <b>RQ</b>      |
|      | 1000 Sp                          |    | 79-84 | <b>MCB 19</b>  | <b>RQ</b>         |           |            | <b>MCB 533</b> |                |
| RS   | 1000 Daytona                     | KL | 97-   | <b>MCB 540</b> | <b>*</b>          | <b>SV</b> |            | <b>MCB 75</b>  | <b>RQ</b>      |
| V 10 | 1000 Centauro                    | KK | 96-   | <b>MCB 540</b> | <b>*</b>          | <b>SV</b> |            | <b>MCB 75</b>  | <b>RQ</b>      |
|      | 1100 Brevia                      | KR | 04-   | <b>MCB 683</b> | <b>*</b>          | <b>SV</b> |            | <b>MCB 671</b> | <b>SH</b>      |
|      | 1100 California Jackal           | KD | 01-   | <b>MCB 683</b> | <b>SV</b>         |           |            | <b>MCB 671</b> | <b>SH</b>      |
|      | 1100 California Jackal, Basic    | KD | 00    | <b>MCB 540</b> | <b>SV</b>         |           |            | <b>MCB 671</b> | <b>SH</b>      |
|      | 1100 California Special          | KD | 99-00 | <b>MCB 540</b> | <b>*</b>          | <b>SV</b> |            | <b>MCB 671</b> | <b>SH</b>      |
|      | 1100 California Special          | KD | 01-   | <b>MCB 683</b> | <b>*</b>          | <b>SV</b> |            | <b>MCB 671</b> | <b>SH</b>      |
|      | 1100 California Special Sport    | KD | 02-   | <b>MCB 683</b> | <b>*</b>          | <b>SV</b> | <b>SRQ</b> | <b>CRQ</b>     | <b>MCB 671</b> |
|      | 1100 California Stone Metal      | KD | 02-   | <b>MCB 683</b> | <b>SV</b>         |           |            | <b>MCB 671</b> | <b>SH</b>      |
|      | 1100 California Stone, Stone T   | KD | 02-   | <b>MCB 683</b> | <b>SV</b>         |           |            | <b>MCB 671</b> | <b>SH</b>      |
|      | 1100 California Titanium         | KD | 03-   | <b>MCB 683</b> | <b>*</b>          | <b>SV</b> |            | <b>MCB 671</b> | <b>SH</b>      |
|      | 1100 California Vintage          |    | 06-   | <b>MCB 683</b> | <b>*</b>          | <b>SV</b> |            | <b>MCB 671</b> | <b>SH</b>      |
|      | 1100 Griso                       | LS | 05-   | <b>MCB 683</b> | <b>*</b>          | <b>SV</b> |            | <b>MCB 700</b> | <b>SH</b>      |
|      | 1100 Sport                       | KE | 96-   | <b>MCB 540</b> | <b>*</b>          | <b>SV</b> | <b>SRQ</b> | <b>CRQ</b>     | <b>MCB 75</b>  |
| ES   | 1100 Quota                       | KM | 99-   | <b>MCB 671</b> | <b>*</b>          | <b>SV</b> |            | <b>MCB 648</b> | <b>SH</b>      |
| EV   | 1100 California                  | KC | 94-97 | <b>MCB 19</b>  | <b>*</b>          | <b>SV</b> |            | <b>MCB 19</b>  | <b>RQ</b>      |
| EV   | 1100 California                  | KC | 98-00 | <b>MCB 540</b> | <b>*</b>          | <b>SV</b> |            | <b>MCB 75</b>  | <b>RQ</b>      |
| EV   | 1100 California, 80, Touring     | KD | 01-   | <b>MCB 683</b> | <b>SV</b>         |           |            | <b>MCB 75</b>  | <b>RQ</b>      |
| V11  | 1100 Le Mans, Le Mans Tenni      | KR | 01-   | <b>MCB 683</b> | <b>*</b>          | <b>SV</b> | <b>SRQ</b> | <b>CRQ</b>     | <b>MCB 75</b>  |
| V11  | 1100 Scura, Sport Scura          | KR | 02-   | <b>MCB 683</b> | <b>*</b>          | <b>SV</b> | <b>SRQ</b> | <b>CRQ</b>     | <b>MCB 75</b>  |
| V11  | 1100 Sport                       | KR | 97-00 | <b>MCB 540</b> | <b>*</b>          | <b>SV</b> | <b>SRQ</b> | <b>CRQ</b>     | <b>MCB 75</b>  |
| V11  | 1100 Sport, Sport Naked          | KR | 01-   | <b>MCB 683</b> | <b>*</b>          | <b>SV</b> | <b>SRQ</b> | <b>CRQ</b>     | <b>MCB 75</b>  |
|      | 1150 Griso 8V                    | 4☐ | LS    | 07-            | <b>MCB 721 SV</b> | <b>*</b>  | <b>SRQ</b> | <b>CRQ</b>     | <b>MCB 648</b> |





## → **MOTO GUZZI**

|     |      |                |   |    |       |                     |            |            |            |  |                |              |
|-----|------|----------------|---|----|-------|---------------------|------------|------------|------------|--|----------------|--------------|
|     | 1200 | Breva          |   | LP | 08-   | <b>MCB 683 SV *</b> |            |            |            |  | <b>MCB 648</b> | <b>SH</b>    |
| V11 | 1200 | Le Mans, Corsa | 4 |    | 05-   | <b>MCB 721 SV *</b> | <b>SRQ</b> | <b>CRQ</b> |            |  | <b>MCB 700</b> | <b>SH RQ</b> |
|     | 1200 | MGS-01 Corsa   | 4 |    | 05-   | <b>MCB 721 SV *</b> | <b>SRQ</b> | <b>CRQ</b> |            |  | <b>MCB 700</b> | <b>SH RQ</b> |
|     | 1200 | Norge, GT 8V   |   | LS | 06-   | <b>MCB 683 *</b>    | <b>SV</b>  | <b>SRQ</b> |            |  | <b>MCB 648</b> | <b>SH</b>    |
|     | 1200 | Sport          |   | LP | 07-08 | <b>MCB 683 SV *</b> | <b>SRQ</b> | <b>CRQ</b> | <b>SCR</b> |  | <b>MCB 648</b> | <b>SH</b>    |
|     | 1200 | Sport 4V       |   | LP | 09-   | <b>MCB 683 SV *</b> | <b>SRQ</b> | <b>CRQ</b> | <b>SCR</b> |  | <b>MCB 700</b> | <b>SH RQ</b> |
|     | 1200 | Sport 8V       |   |    | 12-   | <b>MCB 683 SV *</b> | <b>SRQ</b> | <b>CRQ</b> | <b>SCR</b> |  | <b>MCB 648</b> | <b>SH</b>    |
|     | 1200 | Stelvio 4V     |   | LZ | 08-   | <b>MCB 683 SV *</b> | <b>SRQ</b> | <b>CRQ</b> | <b>SCR</b> |  | <b>MCB 648</b> | <b>SH</b>    |

## **Moto Morini**

|  |      |            |  |  |     |                     |            |            |            |  |                |           |
|--|------|------------|--|--|-----|---------------------|------------|------------|------------|--|----------------|-----------|
|  | 125  | KJ         |  |  | 86  | <b>MCB 536</b>      |            |            |            |  |                |           |
|  | 250  | XE Country |  |  | 88  | <b>MCB 75</b>       |            |            |            |  |                |           |
|  | 350  | Dart       |  |  | 88  | <b>MCB 579</b>      |            |            |            |  | <b>MCB 75</b>  |           |
|  | 350  | Excalibur  |  |  | 86  | <b>MCB 563</b>      |            |            |            |  | <b>MCB 563</b> |           |
|  | 350  | Indiana    |  |  | 88  | <b>MCB 563</b>      |            |            |            |  | <b>MCB 75</b>  |           |
|  | 350  | K2         |  |  | 86  | <b>MCB 536</b>      |            |            |            |  |                |           |
|  | 350  | Kanguro    |  |  | 86  | <b>MCB 536</b>      |            |            |            |  |                |           |
|  | 350  | Kanguro    |  |  | 88  | <b>MCB 557</b>      |            |            |            |  | <b>MCB 75</b>  |           |
|  | 1200 | 9,5        |  |  | 05- | <b>MCB 683 *</b>    | <b>SV</b>  | <b>SRQ</b> | <b>CRQ</b> |  | <b>MCB 700</b> | <b>RQ</b> |
|  | 1200 | Corsaro    |  |  | 05- | <b>MCB 683 *</b>    | <b>SV</b>  | <b>SRQ</b> | <b>CRQ</b> |  | <b>MCB 700</b> | <b>RQ</b> |
|  | 1200 | Granpasso  |  |  | 08- | <b>MCB 671 *</b>    | <b>SV</b>  |            |            |  | <b>MCB 648</b> | <b>SH</b> |
|  | 1200 | Sport      |  |  | 08- | <b>MCB 683 SV *</b> | <b>SRQ</b> | <b>CRQ</b> |            |  | <b>MCB 700</b> | <b>RQ</b> |

## **Motorhispania**

|     |    |             |  |      |     |                |           |  |  |  |                |           |
|-----|----|-------------|--|------|-----|----------------|-----------|--|--|--|----------------|-----------|
| MH  | 50 | Furia 6v    |  | FU01 | 99- | <b>MCB 535</b> | <b>EC</b> |  |  |  | <b>MCB 535</b> | <b>EC</b> |
| MH  | 50 | Furia Max   |  |      | 06- | <b>MCB 535</b> | <b>EC</b> |  |  |  | <b>MCB 535</b> | <b>EC</b> |
| MH  | 50 | Urban Bike  |  |      | 06- | <b>MCB 734</b> |           |  |  |  | <b>MCB 535</b> | <b>EC</b> |
| RX  | 50 | Racing      |  | DR01 | 00- | <b>MCB 629</b> |           |  |  |  | <b>MCB 535</b> | <b>EC</b> |
| RYZ | 50 | /125 Enduro |  |      | 05- | <b>MCB 535</b> | <b>EC</b> |  |  |  | <b>MCB 535</b> | <b>EC</b> |

## **MZ**

|    |      |                       |  |         |       |                     |            |            |            |  |                |           |
|----|------|-----------------------|--|---------|-------|---------------------|------------|------------|------------|--|----------------|-----------|
| FB | 50   | Moskito               |  | FB      | 98-   | <b>MCB 590</b>      | <b>EC</b>  |            |            |  |                |           |
| SX | 50   | Moskito               |  | JP      | 00-   | <b>MCB 519</b>      | <b>EC</b>  | <b>SR</b>  |            |  | <b>MCS 962</b> |           |
|    | 125  | SM, SX                |  |         | 99-01 | <b>MCB 582</b>      | <b>SI</b>  |            |            |  | <b>MCB 604</b> |           |
|    | 125  | SM, SX                |  | MZ125   | 02-   | <b>MCB 689</b>      |            |            |            |  | <b>MCB 604</b> |           |
| FB | 125  | Moskito               |  |         | 98-   | <b>MCB 590</b>      | <b>EC</b>  |            |            |  |                |           |
| MZ | 125  | Mantizz S             |  |         | 07-   | <b>MCB 525</b>      |            |            |            |  |                |           |
| MZ | 125  | Saxon Roadstar        |  |         | 93-   | <b>MCB 19</b>       | <b>SV</b>  |            |            |  | <b>MCS 891</b> |           |
| MZ | 125  | Saxon Sportstar       |  |         | 93-   | <b>MCB 19</b>       | <b>SV</b>  |            |            |  | <b>MCS 891</b> |           |
| RT | 125  | Classic               |  |         | 00-   | <b>MCB 663</b>      |            |            |            |  | <b>MCB 604</b> |           |
| MZ | 251  | Saxon Fun             |  |         | 93-   | <b>MCB 19</b>       | <b>SV</b>  |            |            |  | <b>MCS 890</b> |           |
| MZ | 251  | Saxon Sportstar       |  |         | 93-   | <b>MCB 19</b>       | <b>SV</b>  |            |            |  | <b>MCS 891</b> |           |
| MZ | 251  | Saxon Tour            |  |         | 93-   | <b>MCB 19</b>       | <b>SV</b>  |            |            |  | <b>MCS 890</b> |           |
| MZ | 301  | Saxon (Gußrad)        |  |         | 93-   | <b>MCB 19</b>       | <b>SV</b>  |            |            |  | <b>MCS 891</b> |           |
| MZ | 301  | Saxon Fun             |  |         | 93-   | <b>MCB 19</b>       | <b>SV</b>  |            |            |  | <b>MCS 890</b> |           |
| MZ | 301  | Saxon Sportstar       |  |         | 93-   | <b>MCB 19</b>       | <b>SV</b>  |            |            |  | <b>MCS 891</b> |           |
| MZ | 301  | Saxon Tour            |  |         | 93-   | <b>MCB 19</b>       | <b>SV</b>  |            |            |  | <b>MCS 890</b> |           |
| MZ | 500  | Green Star            |  |         | 97-   | <b>MCB 19</b>       | <b>SV</b>  |            |            |  | <b>MCS 890</b> |           |
| MZ | 500  | R                     |  |         | 90-   | <b>MCB 19</b>       | <b>SV</b>  |            |            |  | <b>MCS 890</b> |           |
| MZ | 500  | Red Star              |  |         | 97-   | <b>MCB 19</b>       | <b>SV</b>  |            |            |  | <b>MCS 890</b> |           |
| MZ | 500  | Saxon (Gußrad)        |  |         | 93-   | <b>MCB 19</b>       | <b>SV</b>  |            |            |  | <b>MCS 891</b> |           |
| MZ | 500  | Saxon Country         |  |         | 93-   | <b>MCB 19</b>       | <b>SV</b>  |            |            |  | <b>MCS 890</b> |           |
| MZ | 500  | Saxon Fun             |  |         | 93-   | <b>MCB 19</b>       | <b>SV</b>  |            |            |  | <b>MCS 890</b> |           |
| MZ | 500  | Saxon Tour            |  |         | 93-   | <b>MCB 19</b>       | <b>SV</b>  |            |            |  | <b>MCS 890</b> |           |
| MZ | 500  | Silver Star Classic   |  |         | 93-   | <b>MCB 19</b>       | <b>SV</b>  |            |            |  | <b>MCS 890</b> |           |
| MZ | 660  | Baghira               |  | MKZ660E | 97-01 | <b>MCB 652</b>      |            |            |            |  | <b>MCB 657</b> |           |
| MZ | 660  | Baghira Black Panther |  | MKZ660E | 00-   | <b>MCB 652</b>      |            |            |            |  | <b>MCB 657</b> |           |
| MZ | 660  | Mastiff               |  | MKZ660E | 98-   | <b>MCB 652</b>      |            |            |            |  | <b>MCB 657</b> |           |
| MZ | 660  | Skorpion Cup          |  |         | 00-   | <b>MCB 540 SV</b>   | <b>SRQ</b> | <b>CRQ</b> |            |  | <b>MCB 75</b>  |           |
| MZ | 660  | Skorpion Replica      |  |         | 97-   | <b>MCB 540 SV *</b> | <b>SRQ</b> | <b>CRQ</b> |            |  | <b>MCB 75</b>  |           |
| MZ | 660  | Skorpion Sport        |  | MKZ660  | 94-01 | <b>MCB 540 *</b>    | <b>SV</b>  |            |            |  | <b>MCB 75</b>  |           |
| MZ | 660  | Skorpion Tour         |  | MKZ660  | 94-01 | <b>MCB 540 *</b>    | <b>SV</b>  |            |            |  | <b>MCB 75</b>  |           |
| MZ | 660  | Skorpion Traveller    |  |         | 97-01 | <b>MCB 540</b>      | <b>SV</b>  |            |            |  | <b>MCB 75</b>  |           |
| MZ | 660  | Supermoto             |  |         | 06-   | <b>MCB 652</b>      |            |            |            |  | <b>MCB 657</b> |           |
| MZ | 1000 | S                     |  |         | 01-02 | <b>MCB 683 *</b>    | <b>SV</b>  | <b>SRQ</b> | <b>CRQ</b> |  | <b>MCB 700</b> | <b>RQ</b> |
| MZ | 1000 | S                     |  |         | 03-   | <b>MCB 595 *</b>    | <b>SV</b>  | <b>SRQ</b> | <b>CRQ</b> |  | <b>MCB 691</b> | <b>SH</b> |
| MZ | 1000 | SF, SFs               |  |         | 05-   | <b>MCB 595 *</b>    | <b>SV</b>  | <b>SRQ</b> | <b>CRQ</b> |  | <b>MCB 691</b> | <b>SH</b> |
| MZ | 1000 | SFX                   |  |         | 07-   | <b>MCB 595 *</b>    | <b>SV</b>  | <b>SRQ</b> | <b>CRQ</b> |  | <b>MCB 691</b> | <b>SH</b> |
| MZ | 1000 | ST                    |  |         | 05-   | <b>MCB 595 *</b>    | <b>SV</b>  | <b>SRQ</b> | <b>CRQ</b> |  | <b>MCB 691</b> | <b>SH</b> |



## MV Augusta

|    |      |                    |           |       |                     |            |            |            |                   |           |           |
|----|------|--------------------|-----------|-------|---------------------|------------|------------|------------|-------------------|-----------|-----------|
| F3 | 675  |                    |           | 11-   | <b>MCB 683 SV *</b> | <b>SRQ</b> | <b>CRQ</b> | <b>SCR</b> | <b>MCB 797 SH</b> |           |           |
|    | 675  | Brutale            |           | 12-   | <b>MCB 683 SV *</b> | <b>SRQ</b> | <b>CRQ</b> | <b>SCR</b> | <b>MCB 700</b>    | <b>SH</b> | <b>RQ</b> |
|    | 750  | Brutale, Brutale S | F4        | 01-06 | <b>MCB 660 SV *</b> | <b>SRQ</b> | <b>CRQ</b> |            | <b>MCB 797 SH</b> |           |           |
| F4 | 750  |                    | F4        | 99-03 | <b>MCB 660 SV *</b> | <b>SRQ</b> | <b>CRQ</b> |            | <b>MCB 797 SH</b> |           |           |
|    | 910  | Brutale S          |           | 05-07 | <b>MCB 660 SV *</b> | <b>SRQ</b> | <b>CRQ</b> |            | <b>MCB 797 SH</b> |           |           |
|    | 910  | Brutale R          | 4☐        | 05-07 | <b>MCB 721 SV *</b> | <b>SRQ</b> | <b>CRQ</b> | <b>SCR</b> | <b>MCB 797 SH</b> |           |           |
|    | 920  | Brutale            |           | 12-   | <b>MCB 683 SV *</b> | <b>SRQ</b> | <b>CRQ</b> | <b>SCR</b> | <b>MCB 797 SH</b> |           |           |
|    | 989  | /990 Brutale R     |           | 09-   | <b>MCB 683 SV *</b> | <b>SRQ</b> | <b>CRQ</b> | <b>SCR</b> | <b>MCB 797 SH</b> |           |           |
| F4 | 1000 | R/1+1              | 4☐        | 07-   | <b>MCB 721 SV *</b> | <b>SRQ</b> | <b>CRQ</b> | <b>SCR</b> | <b>MCB 797 SH</b> |           |           |
| F4 | 1000 | S/1+1              | Nissin F4 | 04-   | <b>MCB 660 SV *</b> | <b>SRQ</b> | <b>CRQ</b> |            | <b>MCB 797 SH</b> |           |           |
| F4 | 1000 | CC                 |           | 06-   | <b>MCB 792 SV *</b> | <b>SRQ</b> | <b>CRQ</b> | <b>SCR</b> | <b>MCB 797 SH</b> |           |           |
|    | 1078 | Brutale RR         |           | 09-   | <b>MCB 792 SV *</b> | <b>SRQ</b> | <b>CRQ</b> | <b>SCR</b> | <b>MCB 797 SH</b> |           |           |
| F4 | 1078 | CC                 |           | 08-   | <b>MCB 792 SV *</b> | <b>SRQ</b> | <b>CRQ</b> | <b>SCR</b> | <b>MCB 797 SH</b> |           |           |
| F4 | 1078 | RR                 |           | 08-   | <b>MCB 792 SV *</b> | <b>SRQ</b> | <b>CRQ</b> | <b>SCR</b> | <b>MCB 797 SH</b> |           |           |
|    | 1090 | Brutale RR         |           | 12-   | <b>MCB 792 SV *</b> | <b>SRQ</b> | <b>CRQ</b> | <b>SCR</b> | <b>MCB 797 SH</b> |           |           |
|    | 1090 | Brutale R          |           | 12-   | <b>MCB 683 SV *</b> | <b>SRQ</b> | <b>CRQ</b> | <b>SCR</b> | <b>MCB 797 SH</b> |           |           |

## MZ

|     |     |       |  |     |                |  |  |  |                |  |  |
|-----|-----|-------|--|-----|----------------|--|--|--|----------------|--|--|
| ETZ | 125 |       |  | 85- | <b>MCB 19</b>  |  |  |  | <b>MCS 891</b> |  |  |
| TS  | 125 |       |  |     | <b>MCS 890</b> |  |  |  | <b>MCS 891</b> |  |  |
| ETZ | 250 |       |  | 82- | <b>MCB 19</b>  |  |  |  | <b>MCS 890</b> |  |  |
| ETZ | 250 |       |  | 85- | <b>MCB 19</b>  |  |  |  | <b>MCS 890</b> |  |  |
| TZ  | 250 |       |  |     | <b>MCS 890</b> |  |  |  | <b>MCS 890</b> |  |  |
| ETZ | 251 |       |  | 89  | <b>MCB 19</b>  |  |  |  | <b>MCS 890</b> |  |  |
| ETZ | 301 | Kanui |  |     | <b>MCB 19</b>  |  |  |  | <b>MCS 890</b> |  |  |

## MZB

|  |     |                 |  |     |                |  |  |  |  |  |  |
|--|-----|-----------------|--|-----|----------------|--|--|--|--|--|--|
|  | 125 | Horex Imperator |  | 96- | <b>MCB 676</b> |  |  |  |  |  |  |
|  | 125 | Horex Regent    |  | 96- | <b>MCB 19</b>  |  |  |  |  |  |  |
|  | 125 | MZB RT-Classic  |  | 96- | <b>MCB 19</b>  |  |  |  |  |  |  |

## Norton

|  |     |                |  |       |                     |            |            |  |                |  |  |
|--|-----|----------------|--|-------|---------------------|------------|------------|--|----------------|--|--|
|  |     | Commander      |  | 90-   | <b>MCB 19 *</b>     |            |            |  | <b>MCB 19</b>  |  |  |
|  | 850 | Commando 850   |  | 73-77 | <b>MCB 18</b>       |            |            |  | <b>MCB 18</b>  |  |  |
|  |     | F-1            |  | 90    | <b>MCB 19 *</b>     |            |            |  | <b>MCB 19</b>  |  |  |
|  |     | Interpol 2     |  | 83    | <b>MCB 19 *</b>     |            |            |  | <b>MCB 19</b>  |  |  |
|  |     | TT             |  | 92    | <b>MCB 540 SV *</b> | <b>SRQ</b> | <b>CRQ</b> |  | <b>MCB 540</b> |  |  |
|  |     | Wankel Classic |  | 88    | <b>MCB 19 *</b>     |            |            |  | <b>MCB 19</b>  |  |  |

## Peugeot

|  |    |                           |                  |       |                |           |           |  |                |           |           |
|--|----|---------------------------|------------------|-------|----------------|-----------|-----------|--|----------------|-----------|-----------|
|  | 50 | Blaster Furios            |                  | 09-   | <b>MCB 535</b> | <b>EC</b> | <b>SR</b> |  | <b>MCB 535</b> | <b>EC</b> | <b>SR</b> |
|  | 50 | Buxy                      | AJP              | 94-   | <b>MCB 535</b> | <b>EC</b> | <b>SR</b> |  | <b>MCS 800</b> |           |           |
|  | 50 | Buxy                      | Brembo FE 053 DE | 94-   | <b>MCB 696</b> | <b>EC</b> | <b>SR</b> |  | <b>MCS 800</b> |           |           |
|  | 50 | Buxy                      | Hengtong         | 94-   | <b>MCB 519</b> | <b>EC</b> | <b>SR</b> |  | <b>MCS 800</b> |           |           |
|  | 50 | Elyseo                    | AJP G1A          | 98-01 | <b>MCB 535</b> | <b>EC</b> | <b>SR</b> |  | <b>MCS 800</b> |           |           |
|  | 50 | Elyseo                    | GA1              | 02-   | <b>MCB 535</b> | <b>EC</b> | <b>SR</b> |  | <b>MCB 535</b> | <b>EC</b> | <b>SR</b> |
|  | 50 | Elystar                   | G1A              | 03-   | <b>MCB 535</b> | <b>EC</b> | <b>SR</b> |  | <b>MCB 735</b> | <b>EC</b> |           |
|  | 50 | Jet-Force, Jet-C Tech     |                  | 03-   | <b>MCB 535</b> | <b>EC</b> | <b>SR</b> |  | <b>MCB 535</b> | <b>EC</b> | <b>SR</b> |
|  | 50 | Kisbee RS                 |                  | 10-   | <b>MCB 519</b> | <b>EC</b> | <b>SR</b> |  | <b>MCS 800</b> |           |           |
|  | 50 | Looxor/TSDI               | B1               | 01-05 | <b>MCB 535</b> | <b>EC</b> | <b>SR</b> |  | <b>MCS 800</b> |           |           |
|  | 50 | Looxor                    |                  | 06-   | <b>MCB 535</b> | <b>EC</b> | <b>SR</b> |  | <b>MCB 535</b> | <b>EC</b> | <b>SR</b> |
|  | 50 | Ludix Blaster             |                  | 04-   | <b>MCB 535</b> | <b>EC</b> | <b>SR</b> |  | <b>MCS 800</b> |           |           |
|  | 50 | Ludix One/Classic         |                  | 04-   | <b>MCS 800</b> |           |           |  | <b>MCS 800</b> |           |           |
|  | 50 | Ludix Snake/Trend/Eleganc |                  | 04-   | <b>MCB 535</b> | <b>EC</b> | <b>SR</b> |  | <b>MCS 800</b> |           |           |
|  | 50 | Ludix 2 T                 |                  | 07-   | <b>MCB 535</b> | <b>EC</b> | <b>SR</b> |  | <b>MCS 800</b> |           |           |
|  | 50 | Speedake                  | AJP              | 94-   | <b>MCB 535</b> | <b>EC</b> | <b>SR</b> |  | <b>MCS 800</b> |           |           |
|  | 50 | Speedake                  | Brembo FE 053 DE | 94-   | <b>MCB 696</b> | <b>EC</b> | <b>SR</b> |  | <b>MCS 800</b> |           |           |
|  | 50 | Speedake                  | Hengtong         | 94-   | <b>MCB 519</b> | <b>EC</b> | <b>SR</b> |  | <b>MCS 800</b> |           |           |
|  | 50 | Speedfight (AC)           | AJP S1BDE        | 96-00 | <b>MCB 535</b> | <b>EC</b> | <b>SR</b> |  | <b>MCS 800</b> |           |           |
|  | 50 | Speedfight 2 (AC)         | S1B              | 01-   | <b>MCB 535</b> | <b>EC</b> | <b>SR</b> |  | <b>MCS 800</b> |           |           |
|  | 50 | Speedfight 3 (AC)         |                  | 10-   | <b>MCB 822</b> |           |           |  | <b>MCB 700</b> | <b>EC</b> |           |
|  | 50 | Speedfight LC             | AJP S1BDE        | 96-00 | <b>MCB 535</b> | <b>EC</b> | <b>SR</b> |  | <b>MCB 535</b> | <b>EC</b> | <b>SR</b> |
|  | 50 | Speedfight LC             | Brembo S1BDE     | 96-00 | <b>MCB 674</b> | <b>EC</b> | <b>SR</b> |  | <b>MCS 800</b> |           |           |
|  | 50 | Speedfight 2 LC           | S1B              | 01-   | <b>MCB 535</b> | <b>EC</b> | <b>SR</b> |  | <b>MCB 535</b> | <b>EC</b> | <b>SR</b> |
|  | 50 | Speedfight 2 X-Race       | S1B              | 03-   | <b>MCB 535</b> | <b>EC</b> | <b>SR</b> |  | <b>MCB 535</b> | <b>EC</b> | <b>SR</b> |
|  | 50 | Speedfight 3, RS (LC)     |                  | 10-   | <b>MCB 822</b> |           |           |  | <b>MCB 700</b> | <b>EC</b> |           |
|  | 50 | Speedfight Le Mans        |                  | 10-   | <b>MCB 535</b> | <b>EC</b> | <b>SR</b> |  | <b>MCB 535</b> | <b>EC</b> | <b>SR</b> |
|  | 50 | Squab                     | AJP              | 94-98 | <b>MCB 535</b> | <b>EC</b> | <b>SR</b> |  | <b>MCS 800</b> |           |           |
|  | 50 | Squab                     | Hengtong         | 94-98 | <b>MCB 519</b> | <b>EC</b> | <b>SR</b> |  | <b>MCS 800</b> |           |           |
|  | 50 | Trekker Metal-X           | S1A              | 01-   | <b>MCB 535</b> | <b>EC</b> | <b>SR</b> |  | <b>MCS 800</b> |           |           |





## → PEUGEOT

|            |     |                      |          |          |       |                    |            |           |                    |            |           |
|------------|-----|----------------------|----------|----------|-------|--------------------|------------|-----------|--------------------|------------|-----------|
|            | 50  | Trekker Offroad      | Hengtong | S1ADE    | 99-   | <b>MCB 519</b>     | <b>EC</b>  | <b>SR</b> | <b>MCS 800</b>     |            |           |
|            | 50  | Trekker Road         |          | S1ADE    | 99-   | <b>MCB 535</b>     | <b>EC</b>  | <b>SR</b> | <b>MCS 800</b>     |            |           |
|            | 50  | Trekker Streetboard  |          | S1A      | 00-   | <b>MCB 535</b>     | <b>EC</b>  | <b>SR</b> | <b>MCS 800</b>     |            |           |
|            | 50  | Trekker Urban Black  |          | S1A      | 00-   | <b>MCB 535</b>     | <b>EC</b>  | <b>SR</b> | <b>MCS 800</b>     |            |           |
|            | 50  | Tweet                |          |          | 10-   | <b>MCB 684</b>     | <b>EC</b>  |           | <b>MCS 800</b>     |            |           |
|            | 50  | V-Clic               |          |          | 08-   | <b>MCB 590</b>     | <b>EC</b>  |           | <b>MCS 800</b>     |            |           |
|            | 50  | Vivacity             | AJP      | S1C      | 99-04 | <b>MCB 535</b>     | <b>EC</b>  | <b>SR</b> | <b>MCS 800</b>     |            |           |
|            | 50  | Vivacity             | Hengtong |          | 99-04 | <b>MCB 519</b>     | <b>EC</b>  | <b>SR</b> | <b>MCS 800</b>     |            |           |
|            | 50  | New Vivacity         |          |          | 08-   | <b>MCB 694</b>     | <b>EC</b>  |           | <b>MCS 800</b>     |            |           |
|            | 50  | Zenith Luxe LM       |          |          | 94-   | <b>MCB 696</b>     | <b>EC</b>  | <b>SR</b> | <b>MCS 800</b>     |            |           |
|            | 50  | Zenith M, MA         |          |          | 94-   | <b>MCS 813</b>     |            |           | <b>MCS 800</b>     |            |           |
| SV         | 50  | Geo, L               |          | F 052-DE | 93-   | <b>MCB 650</b>     |            |           | <b>MCB 575</b>     |            |           |
| SV         | 50  | J, Junior            |          | F 052-DE | 93-   | <b>MCS 800</b>     |            |           | <b>MCS 800</b>     |            |           |
| TKR        | 50  | Furios, WRC          |          | S1B      | 03-   | <b>MCB 535</b>     | <b>EC</b>  | <b>SR</b> | <b>MCB 535</b>     | <b>EC</b>  | <b>SR</b> |
| XP 6       | 50  | Trial, Enduro        |          |          | 02-   | <b>MCB 535</b>     | <b>EC</b>  | <b>SR</b> | <b>MCB 535</b>     | <b>EC</b>  | <b>SR</b> |
| XPS- 6     | 50  | Supermotard          |          |          | 04-   | <b>MCB 734</b>     | <b>EC</b>  |           | <b>MCB 535</b>     | <b>EC</b>  | <b>SR</b> |
| XR 6       | 50  | Race Spec            |          |          | 02-07 | <b>MCB 629</b>     |            |           | <b>MCB 535</b>     | <b>EC</b>  | <b>SR</b> |
| XR 7       | 50  |                      |          |          | 08-   | <b>MCB 780</b>     |            |           | <b>MCB 535</b>     | <b>EC</b>  | <b>SR</b> |
|            | 80  | Metropolis           |          |          |       | <b>MCS 800</b>     |            |           | <b>MCS 813</b>     |            |           |
| SV         | 80  |                      |          | F 082-DE | 91-92 | <b>MCB 650</b>     |            |           | <b>MCS 800</b>     |            |           |
| SV         | 80  |                      |          | F 082-DE | 93-   | <b>MCB 665</b>     | <b>EC</b>  |           | <b>MCS 800</b>     |            |           |
|            | 100 | Elyseo               | AJP      | G2A      | 98-01 | <b>MCB 535</b>     | <b>EC</b>  | <b>SR</b> | <b>MCS 800</b>     |            |           |
|            | 100 | Elyseo               | AJP      | G2A      | 02-   | <b>MCB 535</b>     | <b>EC</b>  | <b>SR</b> | <b>MCB 535</b>     | <b>EC</b>  | <b>SR</b> |
|            | 100 | Looxor               | AJP      | B1A      | 01-   | <b>MCB 535</b>     | <b>EC</b>  | <b>SR</b> | <b>MCB 535</b>     | <b>EC</b>  | <b>SR</b> |
|            | 100 | Speedfight           | AJP      | S2A      | 00-   | <b>MCB 535</b>     | <b>EC</b>  | <b>SR</b> | <b>MCB 535</b>     | <b>EC</b>  | <b>SR</b> |
|            | 100 | Speedfight 2, X-Race | AJP      | S2A      | 01-   | <b>MCB 535</b>     | <b>EC</b>  | <b>SR</b> | <b>MCB 535</b>     | <b>EC</b>  | <b>SR</b> |
|            | 100 | Trekker Road         | AJP      | S2A      | 99-   | <b>MCB 535</b>     | <b>EC</b>  | <b>SR</b> | <b>MCS 800</b>     |            |           |
|            | 100 | Vivacity             | AJP      | S2A      | 99-   | <b>MCB 535</b>     | <b>EC</b>  | <b>SR</b> | <b>MCS 800</b>     |            |           |
|            | 100 | Vivacity             | Hengtong | S2A      | 99-   | <b>MCB 519</b>     | <b>EC</b>  | <b>SR</b> | <b>MCS 800</b>     |            |           |
|            | 125 | CityStar             |          |          | 11-   | <b>MCB 684</b>     | <b>EC</b>  |           | <b>MCB 700</b>     | <b>EC</b>  |           |
|            | 125 | Elyseo               | AJP      | G2A      | 98-99 | <b>MCB 535</b>     | <b>EC</b>  |           | <b>MCS 831</b>     |            |           |
|            | 125 | Elyseo               |          | G2A      | 00-   | <b>MCB 734</b>     | <b>EC</b>  |           | <b>MCB 735</b>     | <b>EC</b>  |           |
|            | 125 | Elystar              |          | H2       | 03-   | <b>MCB 734</b>     | <b>EC</b>  |           | <b>MCB 735</b>     | <b>EC</b>  |           |
|            | 125 | Geopolis Premium     |          |          | 06-   | <b>MCB 734</b>     | <b>EC</b>  |           | <b>MCB 735</b>     | <b>EC</b>  |           |
|            | 125 | Jet-Force Compressor |          |          | 03-   | <b>MCB 734</b>     | <b>EC</b>  |           | <b>MCB 735</b>     | <b>EC</b>  |           |
|            | 125 | Looxor               |          | P2       | 03-   | <b>MCB 726</b>     | <b>SRM</b> |           | <b>MCB 535</b>     | <b>EC</b>  |           |
|            | 125 | Ludix                | AJP      |          | 04-   | <b>MCB 535</b>     | <b>EC</b>  | <b>SR</b> | <b>MCS 800</b>     |            |           |
|            | 125 | Satelis              |          |          | 04-   | <b>MCB 734</b>     | <b>EC</b>  |           | <b>MCB 735</b>     | <b>EC</b>  |           |
|            | 125 | Satelis ABS          |          |          | 04-   | <b>MCB 736</b>     |            |           | <b>MCB 735</b>     | <b>EC</b>  |           |
| GT         | 125 | Satelis Sport        |          |          | 11-   | <b>MCB 582</b>     | <b>SRM</b> |           | <b>MCB 582</b>     | <b>SRM</b> |           |
|            | 125 | /150 Tweet           |          |          | 10-   | <b>MCB 684</b>     | <b>EC</b>  |           | <b>MCB 674</b>     | <b>EC</b>  |           |
|            | 125 | New Vivacity         |          |          | 10-   | <b>MCB 582</b>     | <b>SRM</b> |           | <b>MCB 700</b>     | <b>EC</b>  |           |
|            | 125 | Sum-Up               |          |          | 08-   | <b>MCB 510</b>     |            |           | <b>MCS 953</b>     |            |           |
| LXR        | 125 | /200                 |          |          | 10-   | <b>MCB 734</b>     | <b>EC</b>  |           | <b>MCB 821</b>     |            |           |
| SV         | 125 |                      |          | F121     | 91-92 | <b>MCB 650</b>     |            |           | <b>MCS 800</b>     |            |           |
| SV         | 125 | C Executive          |          | F121     | 96-   | <b>MCB 665</b>     | <b>EC</b>  |           | <b>MCS 800</b>     |            |           |
|            | 150 | Elyseo               |          | G2A      | 00-   | <b>MCB 734</b>     | <b>EC</b>  |           | <b>MCB 735</b>     | <b>EC</b>  |           |
|            | 150 | Elystar              |          | H2       | 03-   | <b>MCB 734</b>     | <b>EC</b>  |           | <b>MCB 735</b>     | <b>EC</b>  |           |
|            | 150 | Looxor               |          |          | 03-   | <b>MCB 726</b>     | <b>SRM</b> |           | <b>MCB 535</b>     | <b>EC</b>  | <b>SR</b> |
|            | 250 | Geopolis             | Nissin   |          | 06-   | <b>MCB 582 SRM</b> |            |           | <b>MCB 582 SRM</b> |            |           |
|            | 250 | Geopolis, ABS        | AJP      |          | 06-   | <b>MCB 734</b>     |            |           | <b>MCB 735</b>     |            |           |
|            | 250 | Satelis, ABS         | AJP      |          | 06-   | <b>MCB 734</b>     |            |           | <b>MCB 735</b>     |            |           |
|            | 250 | Satelis              | Nissin   |          | 06-   | <b>MCB 582 SRM</b> |            |           | <b>MCB 582 SRM</b> |            |           |
|            | 300 | Geopolis             | Nissin   |          | 10-   | <b>MCB 582 SRM</b> |            |           | <b>MCB 582 SRM</b> |            |           |
|            | 400 | Geopolis             | Nissin   |          | 07-   | <b>MCB 582 SRM</b> |            |           | <b>MCB 582 SRM</b> |            |           |
|            | 400 | Geopolis, ABS        | AJP      |          | 07-   | <b>MCB 734</b>     |            |           | <b>MCB 735</b>     |            |           |
|            | 400 | Geopolis RS          | Nissin   |          | 08-   | <b>MCB 598 SRM</b> |            |           | <b>MCB 735</b>     |            |           |
|            | 400 | Satelis ABS          | Tokico   |          | 06-   | <b>MCB 736</b>     |            |           | <b>MCB 735</b>     |            |           |
|            | 400 | Satelis              | Nissin   |          | 06-   | <b>MCB 598 SRM</b> |            |           | <b>MCB 582 SRM</b> |            |           |
|            | 500 | Geopolis             | Nissin   |          | 09-   | <b>MCB 598 SRM</b> |            |           | <b>MCB 582 SRM</b> |            |           |
|            | 500 | Satelis ABS          | Tokico   |          | 04-   | <b>MCB 736</b>     |            |           | <b>MCB 735</b>     |            |           |
|            | 500 | Satelis              | Nissin   |          | 04-   | <b>MCB 598 SRM</b> |            |           | <b>MCB 582 SRM</b> |            |           |
| <b>PGO</b> |     |                      |          |          |       |                    |            |           |                    |            |           |
|            | 25  | Galaxy               |          |          | 92-   | <b>MCB 519</b>     | <b>EC</b>  | <b>SR</b> | <b>MCS 990</b>     |            |           |
|            | 50  | Big Max R            |          | PM       | 94-06 | <b>MCB 590</b>     | <b>EC</b>  |           | <b>MCS 990</b>     |            |           |
|            | 50  | Big Max S, Naked     |          |          | 03-   | <b>MCB 684</b>     | <b>EC</b>  |           | <b>MCS 990</b>     |            |           |
|            | 50  | Bugrider             |          |          | 06-   | <b>MCB 807</b>     |            |           | <b>MCB 510</b>     |            |           |
|            | 50  | Comet                |          |          | 91-95 | <b>MCB 519</b>     | <b>EC</b>  | <b>SR</b> | <b>MCS 990</b>     |            |           |





## → PGO

|     |     |                |           |       |                   |           |           |                   |           |  |
|-----|-----|----------------|-----------|-------|-------------------|-----------|-----------|-------------------|-----------|--|
|     | 50  | Galaxy         |           | 92-   | <b>MCB 519</b>    | <b>EC</b> | <b>SR</b> | <b>MCS 990</b>    |           |  |
|     | 50  | G-Max          |           | 05-   | <b>MCB 684</b>    | <b>EC</b> |           | <b>MCS 990</b>    |           |  |
|     | 50  | Hot            |           | 98-   | <b>MCB 590</b>    | <b>EC</b> |           | <b>MCS 990</b>    |           |  |
|     | 50  | Libra          |           | 09-   | <b>MCB 684</b>    | <b>EC</b> |           |                   |           |  |
|     | 50  | Ligero RS      |           | 08-   | <b>MCB 684</b>    | <b>EC</b> |           | <b>MCS 990</b>    |           |  |
|     | 50  | Mega           |           | 96-   | <b>MCB 590</b>    | <b>EC</b> |           | <b>MCS 990</b>    |           |  |
|     | 50  | Rodoshow       | PE        | 01-   | <b>MCB 644</b>    | <b>EC</b> |           | <b>MCS 990</b>    |           |  |
|     | 50  | Sport          |           | 94-   | <b>MCB 590</b>    | <b>EC</b> |           | <b>MCS 990</b>    |           |  |
|     | 50  | Star           |           | 90-   | <b>MCS 800</b>    |           |           | <b>MCS 813</b>    |           |  |
|     | 50  | Tornado        |           | 96-   | <b>MCB 590</b>    | <b>EC</b> |           | <b>MCS 990</b>    |           |  |
|     | 50  | TR3            |           | 02-   | <b>MCB 684</b>    | <b>EC</b> |           |                   |           |  |
|     | 50  | T-Rex          | CP        | 99-   | <b>MCB 684</b>    | <b>EC</b> |           | <b>MCS 990</b>    |           |  |
|     | 50  | X-Rider        |           | 03-   |                   |           |           | <b>MCB 519 SI</b> | <b>EC</b> |  |
| PMX | 50  | Naked          | PM        | 01-   | <b>MCB 684</b>    | <b>EC</b> |           | <b>MCS 990</b>    |           |  |
| PMX | 50  |                | PM50      | 98-   | <b>MCB 590</b>    | <b>EC</b> |           | <b>MCS 990</b>    |           |  |
|     | 80  | Big Max        |           | 94-   | <b>MCB 590</b>    | <b>EC</b> |           | <b>MCS 990</b>    |           |  |
|     | 80  | Star           |           | 90-   | <b>MCS 800</b>    |           |           | <b>MCS 813</b>    |           |  |
|     | 90  | Big Max        | PS90      | 97-   | <b>MCB 590</b>    | <b>EC</b> |           | <b>MCS 990</b>    |           |  |
|     | 90  | Galaxy         |           | 92-   | <b>MCB 519</b>    | <b>EC</b> | <b>SR</b> | <b>MCS 990</b>    |           |  |
|     | 90  | Sport          |           | 94-   | <b>MCB 590</b>    | <b>EC</b> |           | <b>MCS 990</b>    |           |  |
|     | 90  | Tornado        |           | 96-   | <b>MCB 590</b>    | <b>EC</b> |           | <b>MCS 990</b>    |           |  |
| PMX | 110 |                |           | 00-   | <b>MCB 684</b>    | <b>EC</b> |           | <b>MCS 990</b>    |           |  |
|     | 125 | /150 G-Max     |           | 05-   | <b>MCB 684</b>    | <b>EC</b> |           | <b>MCB 663</b>    | <b>EC</b> |  |
|     | 125 | /150 Libra EFI |           | 09-   | <b>MCB 684</b>    | <b>EC</b> |           |                   |           |  |
|     | 125 | Ligero         |           | 06-   | <b>MCB 684</b>    | <b>EC</b> |           | <b>MCS 921</b>    |           |  |
|     | 125 | Tornado        |           | 96-   | <b>MCB 590</b>    | <b>EC</b> |           | <b>MCS 990</b>    |           |  |
|     | 125 | T-Rex 2 T      | CP0       | 99-02 | <b>MCB 684</b>    | <b>EC</b> |           | <b>MCS 990</b>    |           |  |
|     | 125 | T-Rex 4 T      | CP1       | 00-   | <b>MCB 684</b>    | <b>EC</b> |           | <b>MCS 855</b>    |           |  |
|     | 125 | /150 X-Hot EFI |           | 10-   | <b>MCB 684</b>    | <b>EC</b> |           |                   |           |  |
|     | 125 | /150 X-Rider   |           | 03-   |                   |           |           | <b>MCB 519 SI</b> | <b>EC</b> |  |
|     | 150 | Bugxter        |           | 05-   | <b>MCB 807</b>    | *         |           | <b>MCB 510</b>    |           |  |
|     | 150 | Bugrider       |           | 05-   | <b>MCB 807</b>    | *         |           | <b>MCB 510</b>    | <b>SI</b> |  |
|     | 150 | T-Rex 4 T      | CP2       | 00-   | <b>MCB 684</b>    | <b>EC</b> |           | <b>MCS 855</b>    |           |  |
|     | 200 | Bugrider       |           | 07-   | <b>MCB 807</b>    | *         |           | <b>MCB 805 SI</b> |           |  |
|     | 250 | Bugrider       |           | 05-   | <b>MCB 807</b>    | *         |           | <b>MCB 805 SI</b> |           |  |
|     | 250 | G-Max          |           | 06-08 | <b>MCB 540</b>    |           |           | <b>MCB 663</b>    |           |  |
|     | 500 | Bug            |           | 08-   | <b>MCB 836 SI</b> |           |           | <b>MCB 760 SI</b> |           |  |
|     | 500 | Bug            | Parkingb. | 08-   |                   |           |           | <b>MCB 668 SI</b> |           |  |
| BR  | 500 | Racer          |           | 07-   | <b>MCB 836 SI</b> |           |           | <b>MCB 760 SI</b> |           |  |

## Piaggio

|     |    |                      |       |       |                |           |            |                |  |  |
|-----|----|----------------------|-------|-------|----------------|-----------|------------|----------------|--|--|
|     | 50 | Diesis               | C34   | 02-05 | <b>MCB 535</b> | <b>EC</b> | <b>SR</b>  | <b>MCS 984</b> |  |  |
|     | 50 | Fly                  |       | 05-   | <b>MCB 744</b> | <b>EC</b> | <b>SRM</b> | <b>MCS 994</b> |  |  |
|     | 50 | Free                 |       | 93-95 |                |           |            | <b>MCS 985</b> |  |  |
|     | 50 | Free                 | FCS   | 96-   | <b>MCB 696</b> | <b>EC</b> | <b>SR</b>  | <b>MCS 989</b> |  |  |
|     | 50 | Liberty              | C15   | 97-   | <b>MCB 827</b> |           |            | <b>MCS 994</b> |  |  |
|     | 50 | Liberty              | M22   | 00-   | <b>MCB 827</b> |           |            | <b>MCS 994</b> |  |  |
|     | 50 | N                    |       |       | <b>MCS 981</b> |           |            | <b>MCS 986</b> |  |  |
|     | 50 | Quartz               | NSP   | 92-   | <b>MCB 651</b> | <b>EC</b> |            | <b>MCS 991</b> |  |  |
|     | 50 | Storm                |       | 94-95 | <b>MCB 696</b> | <b>EC</b> | <b>SR</b>  | <b>MCS 800</b> |  |  |
|     | 50 | Storm                | TPH   | 96-   | <b>MCB 688</b> | <b>EC</b> | <b>SR</b>  | <b>MCS 800</b> |  |  |
|     | 50 | Zip Disco            |       | 96-   | <b>MCB 827</b> |           |            | <b>MCS 989</b> |  |  |
|     | 50 | Zip Fast Rider       | SSL   | 96-   | <b>MCB 827</b> |           |            | <b>MCS 984</b> |  |  |
|     | 50 | Zip Fast Rider       | SSL   | 93-95 | <b>MCB 696</b> | <b>EC</b> | <b>SR</b>  | <b>MCS 991</b> |  |  |
|     | 50 | Zip II 4T            | M25   | 00-   | <b>MCB 827</b> |           |            | <b>MCS 984</b> |  |  |
|     | 50 | Zip II Cat. DT       | C25   | 01-   | <b>MCB 688</b> | <b>EC</b> | <b>SR</b>  | <b>MCS 984</b> |  |  |
|     | 50 | Zip Sport Production | SSL   | 96-   | <b>MCB 827</b> |           |            | <b>MCS 984</b> |  |  |
|     | 50 | Zip, Zip + Zip       | BMZ   | 92-   | <b>MCS 985</b> |           |            | <b>MCS 800</b> |  |  |
| APE | 50 |                      |       | 80-05 | <b>MCS 981</b> |           |            |                |  |  |
| ET2 | 50 | Vespa                |       | 97-01 | <b>MCB 827</b> |           |            | <b>MCS 984</b> |  |  |
| ET2 | 50 | 2T, AC, Euro 2       | Vespa | 02-   | <b>MCB 827</b> |           |            | <b>MCS 984</b> |  |  |
| ET4 | 50 | 4T                   | Vespa | 00-04 | <b>MCB 827</b> |           |            | <b>MCS 984</b> |  |  |
| LX  | 50 | 2T / 4T              | Vespa | 05-   | <b>MCB 827</b> |           |            | <b>MCS 984</b> |  |  |
| LXV | 50 |                      | Vespa | 07-   | <b>MCB 827</b> |           |            | <b>MCS 984</b> |  |  |
| NRG | 50 |                      | SAL1T | 94-95 | <b>MCB 696</b> | <b>EC</b> | <b>SR</b>  | <b>MCS 991</b> |  |  |
| NRG | 50 | LC DT                | SAL1T | 96-99 | <b>MCB 696</b> | <b>EC</b> | <b>SR</b>  | <b>MCS 989</b> |  |  |
| NRG | 50 | LC DD                | C04   | 98-00 | <b>MCB 696</b> | <b>EC</b> | <b>SR</b>  | <b>MCB 827</b> |  |  |
| NRG | 50 | mc2                  | C18   | 96-97 | <b>MCB 696</b> | <b>EC</b> | <b>SR</b>  | <b>MCS 989</b> |  |  |
| NRG | 50 | mc2 DD               | C21   | 98-01 | <b>MCB 696</b> | <b>EC</b> | <b>SR</b>  | <b>MCB 827</b> |  |  |





→ **PIAGGIO**

|     |     |                   |           |        |                |                |            |                  |                |            |
|-----|-----|-------------------|-----------|--------|----------------|----------------|------------|------------------|----------------|------------|
| NRG | 50  | mc3 DD (LC)       | C32       | 01-    | <b>MCB 696</b> | <b>EC</b>      | <b>SR</b>  | <b>MCB 827</b>   |                |            |
| NRG | 50  | mc3 DT (AC)       | C21       | 01-    | <b>MCB 696</b> | <b>EC</b>      | <b>SR</b>  | <b>MCS 984</b>   |                |            |
| NRG | 50  | mc3 Purejet       | C32       | 02-    | <b>MCB 519</b> | <b>EC</b>      | <b>SR</b>  | <b>MCB 827</b>   |                |            |
| NRG | 50  | Power DD, DT      | C45       | 05-    | <b>MCB 519</b> | <b>EC</b>      | <b>SR</b>  | <b>MCB 695</b>   | <b>EC</b>      | <b>SR</b>  |
| NRG | 50  | Power Purejet     | C45       | 05-    | <b>MCB 519</b> | <b>EC</b>      | <b>SR</b>  | <b>MCB 695</b>   | <b>EC</b>      | <b>SR</b>  |
| NRG | 50  | Silver Bullett    |           | 10-    | <b>MCB 519</b> | <b>EC</b>      | <b>SR</b>  | <b>MCB 695</b>   | <b>EC</b>      | <b>SR</b>  |
| NTT | 50  |                   |           | 96-    | <b>MCB 696</b> | <b>EC</b>      | <b>SR</b>  | <b>MCS 989</b>   |                |            |
| PK  | 50  | S, XL             | Vespa     | 82-90  | <b>MCS 981</b> |                |            | <b>MCS 980</b>   |                |            |
| PK  | 50  | XL2               | Vespa     | 90-97  | <b>MCS 980</b> |                |            | <b>MCS 980</b>   |                |            |
| S   | 50  | 2T                | Vespa     | 07-    | <b>MCB 827</b> | <b>SRM</b>     |            | <b>MCS 984</b>   |                |            |
| RST | 50  | Sfera             | NSL       | 91-95  | <b>MCS 987</b> |                |            | <b>MCS 991</b>   |                |            |
| RST | 50  | Sfera             | C01       | 95-    | <b>MCB 688</b> | <b>EC</b>      | <b>SR</b>  | <b>MCS 989</b>   |                |            |
| TPH | 50  | Thyhoon           | TEC       | 93-99  | <b>MCB 696</b> | <b>EC</b>      | <b>SR</b>  | <b>MCS 989</b>   |                |            |
| TPH | 50  | Thyhoon           | TPH       | 00-    | <b>MCB 696</b> | <b>EC</b>      | <b>SR</b>  | <b>MCS 984</b>   |                |            |
| TPH | 50  | Thyhoon Catalyzed | C19       | 02-    | <b>MCB 696</b> | <b>EC</b>      | <b>SR</b>  | <b>MCS 984</b>   |                |            |
| TPH | 50  | 2 T               |           | 11-    | <b>MCB 744</b> | <b>SRM</b>     | <b>EC</b>  |                  |                |            |
|     | 80  | Skipper           |           | 94-98  | <b>MCB 651</b> | <b>EC</b>      |            | <b>MCS 984</b>   |                |            |
|     | 80  | Typhoon           | TEC 80    | 93-95  | <b>MCB 696</b> | <b>EC</b>      | <b>SR</b>  | <b>MCS 991</b>   |                |            |
|     | 80  | Typhoon           | TEC 80    | 96-    | <b>MCB 688</b> | <b>EC</b>      |            | <b>MCS 989</b>   |                |            |
| PK  | 80  | alle Modelle      | Vespa     | 83-88  | <b>MCS 981</b> |                |            | <b>MCS 980</b>   |                |            |
| PX  | 80  | E                 |           | 84-96  | <b>MCS 980</b> |                |            | <b>MCS 980</b>   |                |            |
| RST | 80  | Sfera             | NSL 80    | 11/94- | <b>MCS 987</b> |                |            | <b>MCS 991</b>   |                |            |
|     | 100 | Fly, Zip          |           | 06-    | <b>MCB 695</b> | <b>EC</b>      | <b>SR</b>  |                  |                |            |
|     | 125 | Beverly           | M28       | 02-    | <b>MCB 744</b> | <b>SRM</b>     | <b>EC</b>  | <b>MCB 744</b>   | <b>SRM</b>     | <b>EC</b>  |
|     | 125 | Carnaby           |           | 08-    | <b>MCB 744</b> | <b>SRM</b>     | <b>EC</b>  | <b>MCB 744</b>   | <b>SRM</b>     | <b>EC</b>  |
|     | 125 | Cosa              | Cosa-9    | 89-    | <b>MCS 982</b> |                |            | <b>MCS 983</b>   |                |            |
|     | 125 | Fly               |           | 05-    | <b>MCB 744</b> | <b>SRM</b>     | <b>EC</b>  | <b>MCS 994</b>   |                |            |
|     | 125 | Hexagon 2T        | EX        | 96-97  | <b>MCB 651</b> |                |            | <b>MCS 984</b>   |                |            |
|     | 125 | Hexagon LX 2T     | M05       | 98-99  | <b>MCB 664</b> | <b>SRM</b>     | <b>EC</b>  | <b>MCS 994</b>   |                |            |
|     | 125 | Hexagon LX 4T     | M15       | 98-99  | <b>MCB 664</b> | <b>SRM</b>     | <b>EC</b>  | <b>MCS 994</b>   |                |            |
|     | 125 | Hexagon 4T        | M20       | 02-03  | <b>MCB 744</b> | <b>SRM</b>     | <b>EC</b>  | <b>MCB 727</b>   | <b>SRM</b>     |            |
|     | 125 | MP3 RL/LT ie      |           | 07-    | <b>MCB 827</b> | <b>SRM</b>     |            | <b>MCB 782</b>   | <b>SRM</b>     |            |
|     | 125 | MP3 RL/LT ie      | Parkingb. | 07-    |                |                |            | <b>MCB 832 P</b> |                |            |
|     | 125 | Primavera         |           |        | <b>MCS 981</b> |                |            |                  |                |            |
|     | 125 | Sfera             | M01       | 6/95-  | <b>MCB 827</b> | <b>SRM</b>     |            | <b>MCS 984</b>   |                |            |
|     | 125 | Skipper LX 2T     | CSM       | 98-99  | <b>MCB 664</b> | <b>SRM</b>     | <b>EC</b>  | <b>MCS 994</b>   |                |            |
|     | 125 | Skipper ST 4T     | Grimeca   | M21    | 00-04          | <b>MCB 664</b> | <b>SRM</b> | <b>EC</b>        | <b>MCS 994</b> |            |
|     | 125 | Skipper ST 4T     | Hengtong  | M21    | 00-04          | <b>MCB 744</b> | <b>SRM</b> | <b>EC</b>        | <b>MCS 994</b> |            |
|     | 125 | Typhoon           | M02       | 96-01  | <b>MCB 688</b> | <b>EC</b>      |            | <b>MCS 984</b>   |                |            |
|     | 125 | Typhoon           | TEC       | 93-95  | <b>MCB 696</b> | <b>EC</b>      | <b>SR</b>  | <b>MCS 991</b>   |                |            |
|     | 125 | Typhoon Catalyzed | M02       | 02-    | <b>MCB 696</b> | <b>EC</b>      | <b>SR</b>  | <b>MCB 696</b>   | <b>EC</b>      | <b>SR</b>  |
|     | 125 | XEvo              |           | 08-    | <b>MCB 744</b> | <b>SRM</b>     | <b>EC</b>  | <b>MCB 771</b>   | <b>SRM</b>     |            |
|     | 125 | Zip II 4T         | M25       | 00-    | <b>MCB 827</b> | <b>SRM</b>     |            | <b>MCS 984</b>   |                |            |
| ET4 | 125 |                   | M04       | 96-99  | <b>MCB 827</b> | <b>SRM</b>     |            | <b>MCS 984</b>   |                |            |
| ET4 | 125 |                   | M19       | 00-    | <b>MCB 827</b> | <b>SRM</b>     |            |                  |                |            |
| GT  | 125 | L                 | Hengtong  | Vespa  | 04-            | <b>MCB 744</b> | <b>SRM</b> | <b>EC</b>        | <b>MCB 727</b> | <b>SRM</b> |
| GTS | 125 |                   |           | Vespa  | 07-            | <b>MCB 744</b> | <b>SRM</b> | <b>EC</b>        | <b>MCB 727</b> | <b>SRM</b> |
| GTV | 125 |                   |           | Vespa  | 08-            | <b>MCB 744</b> | <b>SRM</b> | <b>EC</b>        | <b>MCB 746</b> | <b>SRM</b> |
| GTX | 125 | Super Hexagon     | Grimeca   | M20    | 00             | <b>MCB 664</b> | <b>SRM</b> | <b>EC</b>        | <b>MCB 727</b> | <b>SRM</b> |
| GTX | 125 | Super Hexagon     | Hengtong  | M20    | 00-            | <b>MCB 744</b> | <b>SRM</b> | <b>EC</b>        | <b>MCB 727</b> | <b>SRM</b> |
| LE  | 125 | Liberty           | M11       | 99-01  | <b>MCB 827</b> | <b>SRM</b>     |            | <b>MCS 994</b>   |                |            |
| LE  | 125 | Liberty, 4T       | M22       | 02-    | <b>MCB 827</b> | <b>SRM</b>     |            | <b>MCS 994</b>   |                |            |
| LX  | 125 | 4 T               | Vespa     | 05-    | <b>MCB 827</b> | <b>SRM</b>     |            | <b>MCS 984</b>   |                |            |
| LXV | 125 |                   | Vespa     | 08-    | <b>MCB 827</b> | <b>SRM</b>     |            | <b>MCS 984</b>   |                |            |
| PK  | 125 |                   | Vespa     | 81-00  | <b>MCS 980</b> |                |            | <b>MCS 980</b>   |                |            |
| PX  | 125 | /150/200          | Vespa     | 01-    | <b>MCB 827</b> | <b>SRM</b>     |            | <b>MCS 980</b>   |                |            |
| S   | 125 | 4 T               | Vespa     | 07-    | <b>MCB 827</b> | <b>SRM</b>     |            | <b>MCS 984</b>   |                |            |
| SKR | 125 | 2T                | CSM       | 94-97  | <b>MCB 651</b> | <b>EC</b>      |            | <b>MCS 984</b>   |                |            |
| X 7 | 125 | i.e.              |           | 08-    | <b>MCB 744</b> | <b>SRM</b>     | <b>EC</b>  | <b>MCB 771</b>   | <b>SRM</b>     |            |
| X 8 | 125 | 4 T               |           | 04     | <b>MCB 744</b> | <b>SRM</b>     | <b>EC</b>  | <b>MCB 700</b>   | <b>SRM</b>     | <b>EC</b>  |
| X 8 | 125 | /150 Street       |           | 05-    | <b>MCB 744</b> | <b>SRM</b>     | <b>EC</b>  | <b>MCB 782</b>   | <b>SRM</b>     |            |
| X 9 | 125 |                   | M23       | 01-03  | <b>MCB 700</b> | <b>SRM</b>     | <b>EC</b>  | <b>MCB 700</b>   | <b>SRM</b>     | <b>EC</b>  |
| X 9 | 125 |                   |           | 04-    | <b>MCB 744</b> | <b>SRM</b>     | <b>EC</b>  | <b>MCB 700</b>   | <b>SRM</b>     | <b>EC</b>  |
| X 9 | 125 |                   |           | 04-    | <b>MCB 771</b> | <b>SRM</b>     |            |                  |                |            |
| X 9 | 125 | Evolution         |           | 06-    | <b>MCB 744</b> | <b>SRM</b>     | <b>EC</b>  | <b>MCB 782</b>   | <b>SRM</b>     |            |
| X 9 | 125 | Evolution         |           | 06-    | <b>MCB 771</b> | <b>SRM</b>     |            |                  |                |            |
|     | 150 | Cosa              | Cosa-9    | 89-    | <b>MCS 982</b> |                |            | <b>MCS 983</b>   |                |            |
|     | 150 | Fly               |           | 05-    | <b>MCB 744</b> | <b>SRM</b>     | <b>EC</b>  | <b>MCS 994</b>   |                |            |
|     | 150 | Hexagon           | EX        | 94-95  | <b>MCB 696</b> | <b>EC</b>      | <b>SR</b>  | <b>MCS 984</b>   |                |            |







## → PIAGGIO

|     |     |                     |           |       |                      |                    |                    |           |  |
|-----|-----|---------------------|-----------|-------|----------------------|--------------------|--------------------|-----------|--|
|     | 150 | Hexagon             | EX        | 96-97 | <b>MCB 688</b>       | <b>EC</b>          | <b>MCS 984</b>     |           |  |
|     | 150 | Skipper             |           | 94-98 | <b>MCB 651</b>       | <b>EC</b>          | <b>MCS 984</b>     |           |  |
| GTX | 150 | Super Hexagon       | Grimeca   | 00-   | <b>MCB 734</b>       | <b>EC</b>          | <b>MCB 727 SRM</b> |           |  |
| GTX | 150 | Super Hexagon       | Hengtong  | 01-   | <b>MCB 744 SRM</b>   | <b>EC</b>          | <b>MCB 727 SRM</b> |           |  |
| SKR | 150 |                     | CSM       | 94-   | <b>MCB 696</b>       | <b>EC</b>          | <b>MCS 984</b>     | <b>SR</b> |  |
| GTX | 180 | Super Hexagon       | Grimeca   | 00-   | <b>MCB 664 SRM</b>   |                    | <b>MCB 727 SRM</b> |           |  |
| GTX | 180 | Super Hexagon       | Hengtong  | 00-   | <b>MCB 744 SRM</b>   |                    | <b>MCB 727 SRM</b> |           |  |
| LTX | 180 | Hexagon             | M05       | 98-   | <b>MCB 664 SRM</b>   | <b>EC</b>          | <b>MCS 994</b>     |           |  |
|     | 200 | Beverly GT          | Grimeca   | 02-05 | <b>MCB 734</b>       | <b>EC</b>          | <b>MCB 734</b>     | <b>EC</b> |  |
|     | 200 | Beverly GT          | Hengtong  | 02-05 | <b>MCB 744 SRM</b>   |                    | <b>MCB 744 SRM</b> |           |  |
|     | 200 | Carnaby             |           | 08-   | <b>MCB 744 SRM</b>   |                    | <b>MCB 744 SRM</b> |           |  |
|     | 200 | Cosa                | Cosa-9    | 89-   | <b>MCS 982</b>       |                    | <b>MCS 983</b>     |           |  |
| GT  | 200 | L Vespa             | Hengtong  | M31   | 03-06                | <b>MCB 744 SRM</b> | <b>MCB 727 SRM</b> |           |  |
| GT  | 200 | L Vespa             | Grimeca   |       | 03-06                | <b>MCB 734</b>     | <b>MCB 727 SRM</b> |           |  |
| PX  | 200 | alle Modelle        | Vespa     |       |                      | <b>MCS 980</b>     | <b>MCS 980</b>     |           |  |
| X 8 | 200 |                     |           | 04    | <b>MCB 744 SRM</b>   |                    | <b>MCB 700 SRM</b> |           |  |
| X 8 | 200 |                     |           | 05-   | <b>MCB 744 SRM</b>   |                    | <b>MCB 782 SRM</b> |           |  |
| X 9 | 200 |                     |           | 03-   | <b>MCB 700 SRM</b>   |                    | <b>MCB 700 SRM</b> |           |  |
|     | 250 | Carnaby             |           | 08-   | <b>MCB 744 SRM</b>   |                    | <b>MCB 744 SRM</b> |           |  |
|     | 250 | MP3 RL/LT ie        | M47       | 07-   | <b>MCB 827 SRM</b>   |                    | <b>MCB 744 SRM</b> |           |  |
|     | 250 | MP3 RL/LT ie        | Parkingb. | M47   | 07-                  |                    | <b>MCB 832 P</b>   |           |  |
|     | 250 | XEvo                |           | 08-   | <b>MCB 744 SRM</b>   |                    | <b>MCB 771 SRM</b> |           |  |
| BV  | 250 |                     |           | 06-   | <b>MCB 744 SRM</b>   |                    | <b>MCB 744 SRM</b> |           |  |
| GT  | 250 | Hexagon             | M14       | 98-00 | <b>MCB 664 SRM</b>   |                    | <b>MCS 994</b>     |           |  |
| GTS | 250 | ABS, i.e.           | Vespa     | 06-   | <b>MCB 744 SRM</b>   |                    | <b>MCB 782 SRM</b> |           |  |
| GTV | 250 |                     | Vespa     | 08-   | <b>MCB 744 SRM</b>   |                    | <b>MCB 782 SRM</b> |           |  |
| GTX | 250 | Super Hexagon       | M20       | 01-   | <b>MCB 664 SRM</b>   |                    | <b>MCB 727 SRM</b> |           |  |
| X 7 | 250 |                     |           | 08-   | <b>MCB 744 SRM</b>   |                    | <b>MCB 771 SRM</b> |           |  |
| X 8 | 250 | , i.e.              |           | 06-   | <b>MCB 744 SRM</b>   |                    | <b>MCB 782 SRM</b> |           |  |
| X 9 | 250 |                     | M27       | 00-04 | <b>MCB 700 SRM *</b> |                    | <b>MCB 700 SRM</b> |           |  |
| X 9 | 250 | Evolution           | ◀         | 05-   | <b>MCB 744 SRM</b>   |                    | <b>MCB 782 SRM</b> |           |  |
| X 9 | 250 | Evolution           | ▶         | 05-   | <b>MCB 771 SRM</b>   |                    |                    |           |  |
|     | 300 | Beverly             |           | 07-   | <b>MCB 744 SRM</b>   |                    | <b>MCB 744 SRM</b> |           |  |
|     | 300 | Beverly ie          |           | 10-   | <b>MCB 744 SRM</b>   |                    | <b>MCB 771 SRM</b> |           |  |
|     | 300 | Carnaby Cruiser     |           | 08-   | <b>MCB 744 SRM</b>   |                    | <b>MCB 744 SRM</b> |           |  |
|     | 300 | MP3 LT              |           | 10-   | <b>MCB 827 SRM</b>   |                    | <b>MCB 782 SRM</b> |           |  |
|     | 300 | MP3 LT              | Parkingb. | 10-   |                      |                    | <b>MCB 832 P</b>   |           |  |
| X 7 | 300 | i.e.                |           | 10-   | <b>MCB 744 SRM</b>   |                    | <b>MCB 771 SRM</b> |           |  |
| GTS | 300 | Super, Supersport   | Vespa     | 09-   | <b>MCB 744 SRM</b>   |                    | <b>MCB 727 SRM</b> |           |  |
| GTV | 300 | i.e.                | Vespa     | 10-   | <b>MCB 744 SRM</b>   |                    | <b>MCB 782 SRM</b> |           |  |
|     | 400 | XEvo                | ◀         | 08-   | <b>MCB 744 SRM</b>   |                    | <b>MCB 744 SRM</b> |           |  |
|     | 400 | XEvo                | ▶         | 08-   | <b>MCB 771 SRM</b>   |                    |                    |           |  |
|     | 400 | MP3 RL/ LT ie       |           | 07-   | <b>MCB 827 SRM</b>   |                    | <b>MCB 782 SRM</b> |           |  |
|     | 400 | MP3 RL/ LT ie       | Parkingb. |       |                      |                    | <b>MCB 832 P</b>   |           |  |
| X8  | 400 | Evolution i.e.      | ◀         | 07-   | <b>MCB 744 SRM</b>   |                    | <b>MCB 782 SRM</b> |           |  |
| X8  | 400 | Evolution i.e.      | ▶         | 07-   | <b>MCB 771 SRM</b>   |                    |                    |           |  |
|     | 500 | Beverly             | M34       | 03-   | <b>MCB 700 SRM *</b> |                    | <b>MCB 700 SRM</b> |           |  |
|     | 500 | Beverly Cruiser     |           | 08-   | <b>MCB 700 SRM *</b> |                    | <b>MCB 700 SRM</b> |           |  |
|     | 500 | MP3                 |           | 10-   | <b>MCB 827 SRM</b>   |                    | <b>MCB 782 SRM</b> |           |  |
|     | 500 | MP3                 | Parkingb. | 10-   |                      |                    | <b>MCB 832 P</b>   |           |  |
| BV  | 500 |                     |           | 06-   | <b>MCB 700 SRM</b>   |                    | <b>MCB 700 SRM</b> |           |  |
| X9  | 500 | SL                  | M27       | 01-03 | <b>MCB 700 SRM *</b> |                    | <b>MCB 700 SRM</b> |           |  |
| X9  | 500 | Evolution           | M27       | 04-   | <b>MCB 648 SRM *</b> |                    | <b>MCB 700 SRM</b> |           |  |
| X9  | 500 | Evolution ABS, i.e. | M27       | 04-   | <b>MCB 648 SRM *</b> |                    | <b>MCB 700 SRM</b> |           |  |

## Polaris

|  |     |                |  |       |                     |  |                   |  |  |
|--|-----|----------------|--|-------|---------------------|--|-------------------|--|--|
|  | 50  | Predator       |  | 04-   | <b>MCS 832</b>      |  |                   |  |  |
|  | 50  | Scrambler      |  | 01-03 | <b>MCS 832</b>      |  |                   |  |  |
|  | 90  | Predator       |  | 03-04 | <b>MCS 832</b>      |  |                   |  |  |
|  | 90  | Scrambler      |  | 01-03 | <b>MCS 832</b>      |  |                   |  |  |
|  | 90  | Sportsmann     |  | 01-04 | <b>MCS 832</b>      |  |                   |  |  |
|  | 250 | Trail Blazer   |  | 94-98 | <b>MCB 761 SI *</b> |  | <b>MCB 668 SI</b> |  |  |
|  | 250 | Trail Blazer   |  | 99-   | <b>MCB 761 SI *</b> |  | <b>MCB 762 SI</b> |  |  |
|  | 250 | Trail Boss     |  |       | <b>MCB 619 *</b>    |  | <b>MCB 668 SI</b> |  |  |
|  | 325 | Magnum 2x4,4x4 |  | 00-02 | <b>MCB 761 SI *</b> |  | <b>MCB 762 SI</b> |  |  |
|  | 325 | Trail Boss     |  | 00-   | <b>MCB 761 SI *</b> |  | <b>MCB 762 SI</b> |  |  |
|  | 330 | ATP            |  | 04-   | <b>MCB 761 SI *</b> |  | <b>MCB 761 SI</b> |  |  |
|  | 330 | Magnum 2x4,4x4 |  | 03-   | <b>MCB 761 SI *</b> |  |                   |  |  |
|  | 330 | Trail Boss     |  | 03-   | <b>MCB 761 SI *</b> |  | <b>MCB 762 SI</b> |  |  |





## → POLARIS

|                                |       |                     |  |  |                   |
|--------------------------------|-------|---------------------|--|--|-------------------|
| 400 Scrambler 2x4,4x4          | 00-   | <b>MCB 761 SI *</b> |  |  | <b>MCB 762 SI</b> |
| 400 Sportsman                  | 01-02 | <b>MCB 761 SI *</b> |  |  | <b>MCB 762 SI</b> |
| 400 Sportsman                  | 03-05 | <b>MCB 761 SI *</b> |  |  | <b>MCB 798 SI</b> |
| 400 Sportsman 4x4              | 08-   | <b>MCB 761 SI *</b> |  |  | <b>MCB 761 SI</b> |
| 400 Xpedition 4x4              | 00-   | <b>MCB 761 SI *</b> |  |  | <b>MCB 762 SI</b> |
| 400 Xplorer L 4x4              | 00-   | <b>MCB 761 SI *</b> |  |  | <b>MCB 762 SI</b> |
| 450 Outlaw                     | 08-   | <b>MCB 619 *</b>    |  |  | <b>MCB 619</b>    |
| 450 Sportsman                  | 06-07 | <b>MCB 761 SI *</b> |  |  | <b>MCB 798 SI</b> |
| 500 Magnum 4x4                 | 00-01 | <b>MCB 761 SI *</b> |  |  | <b>MCB 762 SI</b> |
| 500 Magnum 2x4,4x4 HDS         | 02-   | <b>MCB 761 SI *</b> |  |  | <b>MCB 798 SI</b> |
| 500 Outlaw                     | 06    | <b>MCB 761 SI *</b> |  |  | <b>MCB 761 SI</b> |
| 500 Predator                   | 03-07 | <b>MCB 761 SI *</b> |  |  | <b>MCB 761 SI</b> |
| 500 Ranger 6x6                 | 00-   | <b>MCB 761 SI *</b> |  |  |                   |
| 500 Revolver                   | 06-   | <b>MCB 619 *</b>    |  |  | <b>MCB 619</b>    |
| 500 Scrambler 4x4              | 97    | <b>MCB 761 SI *</b> |  |  | <b>MCB 668 SI</b> |
| 500 Scrambler 4x4              | 98-04 | <b>MCB 761 SI *</b> |  |  | <b>MCB 762 SI</b> |
| 500 Scrambler 4x4              | 05-   | <b>MCB 761 SI *</b> |  |  | <b>MCB 798 SI</b> |
| 500 Scrambler 2x4              | 01-02 | <b>MCB 761 SI *</b> |  |  | <b>MCB 762 SI</b> |
| 500 Scrambler 2x4              | 07-08 | <b>MCB 761 SI *</b> |  |  | <b>MCB 798 SI</b> |
| 500 Sportsman 4x4              | 96-   | <b>MCB 761 SI *</b> |  |  | <b>MCB 668 SI</b> |
| 500 Sportsman 6x6              | 00-08 | <b>MCB 761 SI *</b> |  |  |                   |
| 500 Sportsman HO/EFI           | 03-08 | <b>MCB 761 SI *</b> |  |  | <b>MCB 798 SI</b> |
| 500 Sportsman X2 EFI           | 07-09 | <b>MCB 761 SI *</b> |  |  | <b>MCB 761 SI</b> |
| 500 Sportsman Touring HO       | 08-11 | <b>MCB 761 SI *</b> |  |  | <b>MCB 761 SI</b> |
| 500 Sportsman EFI Quad HO      | 08-   | <b>MCB 761 SI *</b> |  |  | <b>MCB 798 SI</b> |
| ATP 500                        | 04-   | <b>MCB 761 SI *</b> |  |  | <b>MCB 761 SI</b> |
| 525 Outlaw                     | 07-   | <b>MCB 761 SI *</b> |  |  | <b>MCB 761 SI</b> |
| 600 Sportsman 4x4              | 03-05 | <b>MCB 619 *</b>    |  |  | <b>MCB 798 SI</b> |
| 700 Sportsman 4x4              | 02-06 | <b>MCB 619 *</b>    |  |  | <b>MCB 798 SI</b> |
| 700 Sportsman EFI, MV          | 05-07 | <b>MCB 761 SI *</b> |  |  | <b>MCB 798 SI</b> |
| 700 X 2                        | 08    | <b>MCB 761 SI *</b> |  |  | <b>MCB 761 SI</b> |
| 800 RZR                        | 08-   | *                   |  |  | <b>MCB 619</b>    |
| 800 Sportsman EFI/HO           | 05-   | <b>MCB 761 SI *</b> |  |  | <b>MCB 798 SI</b> |
| 800 Sportsman Touring, X 2 EFI | 07-   | <b>MCB 761 SI *</b> |  |  | <b>MCB 761 SI</b> |
| 800 Sportsman 6x6 Big Boss     | 09-   | <b>MCB 761 SI *</b> |  |  | <b>MCB 761 SI</b> |

## Puch

|                  |     |                |  |  |  |
|------------------|-----|----------------|--|--|--|
| alle Modelle     | 86- | <b>MCB 508</b> |  |  |  |
| Cobra 6, GT, GTL | 80- | <b>MCB 508</b> |  |  |  |
| Cobra M 82       | -85 | <b>MCB 596</b> |  |  |  |
| Monza 4, SL, GSL | 80- | <b>MCB 508</b> |  |  |  |
| Monza Lujo       | -85 | <b>MCB 596</b> |  |  |  |

## Qingqi

|          |  |                |           |  |  |
|----------|--|----------------|-----------|--|--|
| QM 50 QT |  | <b>MCB 590</b> | <b>EC</b> |  |  |
|----------|--|----------------|-----------|--|--|

## Quadzilla

|                   |     |                     |           |  |                   |
|-------------------|-----|---------------------|-----------|--|-------------------|
| WK 70 /110/125    | 06- | <b>MCB 590</b>      | <b>EC</b> |  |                   |
| X 100 E           | 06- | <b>MCS 962</b>      |           |  | <b>MCB 523 SI</b> |
| WK 140            | 06- | <b>MCB 844</b>      |           |  | <b>MCB 846</b>    |
| 170 E Stinger     | 06- | <b>MCS 962</b>      |           |  | <b>MCB 582 SI</b> |
| 250 E Stinger     | 06- | <b>MCB 519 SI *</b> | <b>EC</b> |  | <b>MCB 523 SI</b> |
| BR 200 E Bugrider | 07- | <b>MCB 807 *</b>    |           |  | <b>MCB 805 SI</b> |
| XRv 250 E         | 06- | <b>MCB 807 *</b>    |           |  | <b>MCB 805 SI</b> |
| RL 300 Buggie     | 07- | <b>MCB 807 *</b>    |           |  | <b>MCB 805 SI</b> |
| XLC 300 E, LE     | 07- | <b>MCB 523 SI *</b> |           |  | <b>MCB 523 SI</b> |
| 500 4x4           | 06- |                     |           |  | <b>MCB 762 SI</b> |
| 500 e 4x4         | 07- |                     |           |  | <b>MCB 756 SI</b> |
| RL 500 Buggie     | 08- | <b>MCB 617 *</b>    |           |  | <b>MCB 617</b>    |

## REX

|             |               |                |                |           |                |
|-------------|---------------|----------------|----------------|-----------|----------------|
| 50 Escape   | 03-           | <b>MCB 519</b> | <b>EC</b>      | <b>SR</b> |                |
| 50 Rex      | 98-           | <b>MCB 519</b> | <b>EC</b>      | <b>SR</b> |                |
| E-Rex       |               | <b>MCB 822</b> |                |           | <b>MCB 663</b> |
| 50 Capriolo | QM50QT-2      | 07-            | <b>MCB 765</b> |           | <b>MCS 800</b> |
| 50 Flash    |               |                | <b>MCB 590</b> | <b>EC</b> | <b>MCS 800</b> |
| 50 RS250    | Qingqi/SMC    | 04-            | <b>MCB 539</b> |           | <b>MCS 800</b> |
| 50 RS450    | Qingqi/Shenke | 04-            | <b>MCB 765</b> |           | <b>MCS 800</b> |
| 50 RS460    | Shenke        |                |                |           |                |





## → REX

|    |     |                 |  |        |     |  |                |   |           |           |  |                |           |            |  |
|----|-----|-----------------|--|--------|-----|--|----------------|---|-----------|-----------|--|----------------|-----------|------------|--|
|    | 50  | RS500           |  | Qingqi |     |  | <b>MCB 765</b> |   |           |           |  | <b>MCS 800</b> |           |            |  |
|    | 50  | RS600           |  | Qingqi |     |  | <b>MCB 765</b> |   |           |           |  |                |           |            |  |
|    | 50  | RS700           |  | Qingqi | 08- |  | <b>MCB 539</b> |   |           |           |  | <b>MCS 800</b> |           |            |  |
|    | 50  | RS900           |  | Qingqi |     |  |                |   |           |           |  |                |           |            |  |
|    | 125 | RS1000          |  | Jonway | 10- |  | <b>MCB 822</b> |   |           |           |  | <b>MCB 663</b> | <b>EC</b> | <b>SRM</b> |  |
|    | 125 | RS1100          |  | Jonway | 10- |  | <b>MCB 822</b> |   |           |           |  | <b>MCB 663</b> | <b>EC</b> | <b>SRM</b> |  |
|    | 125 | Capriolo/Speedy |  | Qingqi |     |  | <b>MCB 539</b> |   |           |           |  |                |           |            |  |
| RS | 125 |                 |  | Qingqi |     |  | <b>MCB 765</b> |   |           |           |  |                |           |            |  |
| SC | 125 |                 |  | Qingqi | 08- |  | <b>MCB 539</b> |   |           |           |  |                |           |            |  |
|    | 125 | Rexy            |  |        | 98- |  | <b>MCB 590</b> |   |           | <b>EC</b> |  |                |           |            |  |
|    | 125 | Silverstreet    |  |        | 99- |  | <b>MCB 519</b> |   | <b>EC</b> | <b>SR</b> |  |                |           |            |  |
|    | 150 | /250 Quad       |  | SMC    | 10- |  | <b>MCB 582</b> | * | <b>SI</b> |           |  |                |           |            |  |

## Rieju

|     |     |              |  |                           |       |  |                |  |           |            |           |  |                   |            |           |
|-----|-----|--------------|--|---------------------------|-------|--|----------------|--|-----------|------------|-----------|--|-------------------|------------|-----------|
|     |     | alle Modelle |  |                           | 85-   |  | <b>MCB 535</b> |  | <b>EC</b> |            |           |  | <b>MCB 535</b>    | <b>EC</b>  |           |
| MRX | 50  | Pro          |  |                           | 05-   |  | <b>MCB 629</b> |  |           |            |           |  | <b>MCB 535</b>    | <b>EC</b>  |           |
| MRX | 50  | Racing       |  | MRX                       | 02-   |  | <b>MCB 535</b> |  | <b>EC</b> |            |           |  | <b>MCB 535</b>    | <b>EC</b>  |           |
| NKD | 50  |              |  |                           | 04-   |  | <b>MCB 796</b> |  |           |            |           |  | <b>MCB 535</b>    | <b>EC</b>  |           |
| RR  | 50  | Supermotard  |  | RR                        | 96-   |  | <b>MCB 535</b> |  | <b>EC</b> |            |           |  | <b>MCB 535</b>    | <b>EC</b>  |           |
| RS1 | 50  | Castrol      |  | RSE                       | 01-   |  | <b>MCB 664</b> |  |           |            |           |  | <b>MCB 535</b>    | <b>EC</b>  |           |
| RS1 | 50  | Evolution    |  | VTPRSE                    | 96-00 |  | <b>MCB 535</b> |  | <b>EC</b> |            |           |  | <b>MCB 535</b>    | <b>EC</b>  |           |
| RS2 | 50  | Matrix       |  |                           | 03-   |  | <b>MCB 796</b> |  |           |            |           |  | <b>MCB 535</b>    | <b>EC</b>  |           |
| RS3 | 50  |              |  |                           | 12-   |  | <b>MCB 796</b> |  |           |            |           |  | <b>MCB 519</b>    | <b>EC</b>  |           |
| RS3 | 50  | Pro          |  |                           | 12-   |  | <b>MCB 780</b> |  | <b>SV</b> |            |           |  | <b>MCB 535</b>    | <b>EC</b>  |           |
| SMX | 50  |              |  | wahlw. vorne MCB 535      | 02-   |  | <b>MCB 629</b> |  |           |            |           |  | <b>MCB 535</b>    | <b>EC</b>  |           |
|     | 125 | Tango        |  |                           | 06-07 |  | <b>MCB 780</b> |  |           |            |           |  | <b>MCB 535</b>    | <b>EC</b>  |           |
|     | 125 | Tango Pro    |  |                           | 08-   |  | <b>MCB 780</b> |  |           |            |           |  | <b>MCB 535</b>    | <b>EC</b>  |           |
| MRX | 125 |              |  | wahlw. vorne MCB 535 MR4T | 02-   |  | <b>MCB 629</b> |  |           |            |           |  | <b>MCB 535</b>    | <b>EC</b>  |           |
| RS2 | 125 | NKD          |  |                           | 06-   |  | <b>MCB 759</b> |  |           |            |           |  | <b>MCB 519</b>    | <b>SI</b>  | <b>EC</b> |
| RS2 | 125 | Pro          |  |                           | 08-   |  | <b>MCB 779</b> |  |           |            |           |  | <b>MCB 519</b>    | <b>SI</b>  | <b>EC</b> |
| SMX | 125 |              |  | wahlw. vorne MCB 535 MR4T | 02-   |  | <b>MCB 629</b> |  |           |            |           |  | <b>MCB 535</b>    | <b>EC</b>  |           |
| MRX | 450 |              |  |                           | 08-   |  | <b>MCB 648</b> |  | <b>SI</b> | <b>RSI</b> | <b>EC</b> |  | <b>MCB 743 SI</b> | <b>RSI</b> | <b>EC</b> |

## Sachs

|      |     |               |  |           |        |  |                |   |           |            |            |  |                |           |  |
|------|-----|---------------|--|-----------|--------|--|----------------|---|-----------|------------|------------|--|----------------|-----------|--|
|      | 50  | /125 Bee      |  |           | 08-    |  | <b>MCB 539</b> |   |           |            |            |  | <b>MCS 953</b> |           |  |
|      | 50  | 49er II       |  |           | 08-    |  | <b>MCB 694</b> |   | <b>EC</b> |            |            |  |                |           |  |
|      | 50  | Gipsy         |  | FE 053-DE | 8/94-  |  | <b>MCB 674</b> |   | <b>EC</b> | <b>SR</b>  |            |  | <b>MCS 800</b> |           |  |
|      | 50  | Limbo         |  |           | 94-    |  | <b>MCB 674</b> |   | <b>EC</b> | <b>SR</b>  |            |  | <b>MCS 800</b> |           |  |
|      | 50  | Mad Ass       |  |           | 04-    |  | <b>MCB 525</b> |   |           |            |            |  | <b>MCB 535</b> | <b>EC</b> |  |
|      | 50  | Raggae        |  | Grimeca   | 8/94-  |  | <b>MCB 674</b> |   | <b>EC</b> | <b>SR</b>  |            |  | <b>MCS 800</b> |           |  |
|      | 50  | Raggae        |  | Hengtong  | 8/94-  |  | <b>MCB 519</b> |   | <b>EC</b> | <b>SR</b>  |            |  | <b>MCS 800</b> |           |  |
|      | 50  | Speedfight    |  |           | 96-    |  | <b>MCB 522</b> |   |           |            |            |  | <b>MCS 800</b> |           |  |
|      | 50  | Speedforce    |  |           | 08-    |  | <b>MCB 694</b> |   | <b>EC</b> |            |            |  |                |           |  |
|      | 50  | Splinter      |  | Grimeca   | 8/94-  |  | <b>MCB 674</b> |   | <b>EC</b> | <b>SR</b>  |            |  | <b>MCS 800</b> |           |  |
|      | 50  | Splinter      |  | Hengtong  | 8/94-  |  | <b>MCB 519</b> |   | <b>EC</b> | <b>SR</b>  |            |  | <b>MCS 800</b> |           |  |
|      | 50  | Squab         |  |           | 96-    |  | <b>MCB 644</b> |   | <b>EC</b> |            |            |  | <b>MCS 800</b> |           |  |
| RS   | 50  | /125 Speedjet |  |           | 08-    |  | <b>MCB 694</b> |   | <b>EC</b> |            |            |  |                |           |  |
| SR   | 50  | Samba         |  |           | 93-    |  | <b>MCS 800</b> |   |           |            |            |  | <b>MCS 800</b> |           |  |
| SX-1 | 50  |               |  |           | 08-    |  | <b>MCB 694</b> |   | <b>EC</b> |            |            |  |                |           |  |
| ZX   | 50  | Enduro        |  | 693       | 95-    |  | <b>MCB 664</b> |   |           |            |            |  | <b>MCB 657</b> |           |  |
| SR   | 80  | Samba         |  | FE 082-DE | 11/93- |  | <b>MCB 665</b> |   | <b>EC</b> |            |            |  | <b>MCS 800</b> |           |  |
|      | 125 | Husky         |  | Sanyang   | 97-    |  | <b>MCB 719</b> |   |           |            |            |  | <b>MCS 990</b> |           |  |
|      | 125 | Mad Ass       |  |           | 06-    |  | <b>MCB 525</b> |   |           |            |            |  | <b>MCB 525</b> |           |  |
|      | 125 | Roadster V2   |  | 680       | 01-    |  | <b>MCB 557</b> |   |           |            |            |  | <b>MCS 953</b> |           |  |
|      | 125 | X-Road        |  |           | 07     |  | <b>MCB 540</b> |   | <b>SV</b> | <b>SRQ</b> |            |  | <b>MCB 510</b> |           |  |
|      | 125 | X-Road        |  |           | 08-    |  | <b>MCB 683</b> |   | <b>SV</b> | <b>SRQ</b> |            |  | <b>MCB 510</b> |           |  |
| SR   | 125 | Samba         |  | F 121     | 6/94-  |  | <b>MCB 665</b> |   | <b>EC</b> |            |            |  | <b>MCS 800</b> |           |  |
| XTC  | 125 | Racing        |  | 675       | 99-07  |  | <b>MCB 540</b> |   | <b>SV</b> | <b>SRQ</b> |            |  | <b>MCB 657</b> |           |  |
| XTC  | 125 | Racing        |  |           | 08-    |  | <b>MCB 683</b> |   | <b>SV</b> | <b>SRQ</b> |            |  | <b>MCB 510</b> |           |  |
| ZX   | 125 |               |  | 660       | 97-    |  | <b>MCB 664</b> |   |           |            |            |  | <b>MCB 657</b> |           |  |
| ZX   | 125 |               |  | 660       | 99-    |  | <b>MCB 557</b> |   |           |            |            |  | <b>MCB 657</b> |           |  |
| ZZ   | 125 |               |  | 660       | 98     |  | <b>MCB 664</b> |   |           |            |            |  | <b>MCB 657</b> |           |  |
| ZZ   | 125 |               |  | 660       | 99-    |  | <b>MCB 696</b> |   |           |            |            |  | <b>MCB 657</b> |           |  |
|      | 650 | Roadster V1.6 |  |           | 03-    |  | <b>MCB 540</b> | * | <b>SV</b> | <b>SRQ</b> | <b>CRQ</b> |  | <b>MCB 539</b> |           |  |
|      | 650 | Roadster V1.6 |  | 830       | 00-02  |  | <b>MCB 572</b> | * |           |            |            |  | <b>MCB 657</b> |           |  |
|      | 800 | Roadster V2   |  | 835       | 00-02  |  | <b>MCB 572</b> | * |           |            |            |  | <b>MCS 959</b> |           |  |
|      | 800 | S-805, B-805  |  |           | 03-    |  | <b>MCB 540</b> | * | <b>SV</b> | <b>SRQ</b> | <b>CRQ</b> |  | <b>MCB 539</b> |           |  |



## Siamoto

|     |     |        |  |       |                |           |  |  |  |  |
|-----|-----|--------|--|-------|----------------|-----------|--|--|--|--|
|     | 25  | Birdie |  | 02-04 | <b>MCB 590</b> | <b>EC</b> |  |  |  |  |
|     | 50  | Birdie |  | 02-04 | <b>MCB 590</b> | <b>EC</b> |  |  |  |  |
| BD  | 125 |        |  |       | <b>MCB 629</b> |           |  |  |  |  |
| KD  | 125 |        |  |       | <b>MCB 629</b> |           |  |  |  |  |
| SX1 | 125 |        |  | 04-   | <b>MCB 734</b> | <b>EC</b> |  |  |  |  |

## Simson

|      |     |                   |       |       |                |           |  |  |                |           |
|------|-----|-------------------|-------|-------|----------------|-----------|--|--|----------------|-----------|
|      | 50  | Habicht           |       | 96-   | <b>MCB 564</b> | <b>SR</b> |  |  |                |           |
|      | 50  | Sperber           |       | 97    | <b>MCB 564</b> | <b>SR</b> |  |  |                |           |
|      | 50  | Sperber           | MSA50 | 98-   | <b>MCB 578</b> |           |  |  |                |           |
|      | 50  | Star              | SRA50 | 96-   | <b>MCB 564</b> | <b>SR</b> |  |  |                |           |
|      | 50  | Sula City Bird    |       | 98-   | <b>MCB 522</b> |           |  |  |                |           |
|      | 50  | Sula Thunder Bird |       | 98-   | <b>MCB 522</b> |           |  |  |                |           |
| S 53 | 50  | alpha C           |       | 93-97 | <b>MCB 564</b> | <b>SR</b> |  |  |                |           |
| S 53 | 50  | beta              |       | 93-97 | <b>MCB 564</b> | <b>SR</b> |  |  |                |           |
| SR   | 50  | alle Modelle      |       | 95-   | <b>MCB 564</b> | <b>SR</b> |  |  |                |           |
| S 53 | 70  | alpha C           |       | 93-97 | <b>MCB 564</b> | <b>SR</b> |  |  |                |           |
| S 83 | 70  | beta              |       | 93-97 | <b>MCB 564</b> | <b>SR</b> |  |  |                |           |
| SR   | 80  | alle Modelle      |       | 95-   | <b>MCB 564</b> | <b>SR</b> |  |  |                |           |
|      | 100 | Sula Thunder Bird |       | 98-   | <b>MCB 522</b> |           |  |  |                |           |
|      | 125 | Schikra           | MS125 | 99-   | <b>MCB 673</b> | <b>EC</b> |  |  | <b>MCB 578</b> |           |
|      | 125 | SM                | 1C    | 01-   | <b>MCB 629</b> |           |  |  | <b>MCB 535</b> | <b>EC</b> |
|      | 125 | Sula Thunder Bird |       | 98-   | <b>MCB 522</b> |           |  |  |                |           |

## Sinnis

|    |     |                   |             |     |                |            |            |  |                |            |
|----|-----|-------------------|-------------|-----|----------------|------------|------------|--|----------------|------------|
| QM | 50  | Falcon            |             | 08- | <b>MCB 590</b> | <b>EC</b>  |            |  | <b>MCS 800</b> |            |
| QM | 50  | Hawk              |             | 08- | <b>MCB 689</b> | <b>EC</b>  |            |  | <b>MCS 990</b> |            |
|    | 125 | Eagle             |             | 10- | <b>MCB 510</b> |            |            |  | <b>MCS 953</b> |            |
|    | 125 | Eco City          |             | 07- | <b>MCB 510</b> |            |            |  | <b>MCS 800</b> |            |
| QM | 125 | Apache            | Drum modell | 09- | <b>MCB 582</b> | <b>SI</b>  | <b>RSI</b> |  | <b>MCS 855</b> |            |
| QM | 125 | Apache            | Disc modell | 09- | <b>MCB 582</b> | <b>SI</b>  | <b>RSI</b> |  | <b>MCB 510</b> | <b>SI</b>  |
| QM | 125 | Blade             |             | 09- | <b>MCB 582</b> | <b>SI</b>  | <b>RSI</b> |  | <b>MCB 510</b> | <b>SI</b>  |
| QM | 125 | Matrix, Matrix II |             | 10- | <b>MCB 510</b> |            |            |  | <b>MCS 953</b> |            |
| QM | 125 | Stealth           | ←           | 08- | <b>MCB 582</b> | <b>SRM</b> |            |  | <b>MCB 585</b> | <b>SRM</b> |
| QM | 125 | Stealth           | →           | 08- | <b>MCB 615</b> | <b>SRM</b> |            |  |                |            |
| QM | 125 | Vista             |             | 08- | <b>MCB 765</b> |            |            |  | <b>MCS 958</b> |            |

## Suzuki

|     |    |              |            |       |                   |            |           |  |                   |              |
|-----|----|--------------|------------|-------|-------------------|------------|-----------|--|-------------------|--------------|
|     | 50 | Lido         |            | 91-   | <b>MCB 569</b>    |            |           |  | <b>MCB 615</b>    |              |
|     | 50 | Lido         | CS50H      | 89-   | <b>MCS 921</b>    |            |           |  | <b>MCS 921</b>    |              |
| A   | 50 | K            |            | 75-   | <b>MCS 854</b>    |            |           |  | <b>MCS 854</b>    |              |
| AH  | 50 | Address      | CA1GA      | 93-95 | <b>MCS 920</b>    |            |           |  | <b>MCS 920</b>    |              |
| AP  | 50 |              |            | 71-78 | <b>MCS 854</b>    |            |           |  | <b>MCS 854</b>    |              |
| AP  | 50 | S            | CA1JA      | 95-   | <b>MCB 674</b>    | <b>EC</b>  | <b>SR</b> |  | <b>MCS 921</b>    |              |
| AY  | 50 | Katana       | AA         | 97-98 | <b>MCB 674</b>    | <b>EC</b>  | <b>SR</b> |  | <b>MCS 921</b>    |              |
| AY  | 50 | WR Katana    | AJP AA     | 01-   | <b>MCB 535</b>    | <b>EC</b>  | <b>SR</b> |  | <b>MCB 535</b>    | <b>EC SR</b> |
| AY  | 50 | WR Katana    | Grimeca AA | 99-   | <b>MCB 674</b>    | <b>EC</b>  | <b>SR</b> |  | <b>MCB 535</b>    | <b>EC SR</b> |
| GT  | 50 |              | GT50       | 79-   | <b>MCB 16</b>     |            |           |  | <b>MCS 854</b>    |              |
| GT  | 50 |              |            | 77-   | <b>MCB 91</b>     |            |           |  | <b>MCS 854</b>    |              |
| GT  | 50 | E            | GT50E      | 79-   | <b>MCB 16</b>     |            |           |  | <b>MCS 854</b>    |              |
| GT  | 50 | K            | GT50K      | 79-   | <b>MCB 91</b>     |            |           |  | <b>MCS 854</b>    |              |
| GT  | 50 | KE           | GT50K      | 79-   | <b>MCB 16</b>     |            |           |  | <b>MCS 854</b>    |              |
| RMX | 50 |              |            | 00-   | <b>MCB 535</b>    |            |           |  | <b>MCB 535</b>    |              |
| TR  | 50 | S            |            | 98-   | <b>MCB 519</b>    | <b>EC</b>  | <b>SR</b> |  | <b>MCS 990</b>    |              |
| TR  | 50 | Street Magic | AH         | 97-00 | <b>MCB 679</b>    | <b>SR</b>  |           |  | <b>MCS 990</b>    |              |
| TS  | 50 | ERK          | TS50XK     | 80-83 | <b>MCS 854</b>    |            |           |  | <b>MCS 901</b>    |              |
| TS  | 50 | K            | TS50K      | 78-79 | <b>MCS 854</b>    |            |           |  | <b>MCS 854</b>    |              |
| UF  | 50 | Estilete     | WVBA       | 00-01 | <b>MCB 535</b>    | <b>EC</b>  | <b>SR</b> |  | <b>MCS 921</b>    |              |
| UX  | 50 | W Zillion    | AT         | 99-   | <b>MCB 674</b>    | <b>EC</b>  | <b>SR</b> |  | <b>MCS 921</b>    |              |
| ZR  | 50 | K            | ZR50K      | 79-   | <b>MCB 16</b>     |            |           |  | <b>MCS 854</b>    |              |
| RM  | 60 |              |            | 03-   | <b>MCS 857</b>    |            |           |  | <b>MCS 857</b>    |              |
| RM  | 65 |              |            | 03-   | <b>MCB 714 SI</b> | <b>EC</b>  |           |  | <b>MCB 561 SI</b> | <b>EC</b>    |
| AH  | 80 |              |            | 92-   | <b>MCB 519</b>    | <b>EC</b>  |           |  | <b>MCS 921</b>    |              |
| CP  | 80 |              |            | 85-   | <b>MCS 921</b>    |            |           |  | <b>MCS 921</b>    |              |
| GT  | 80 | E,L          | GT80       | 81-83 | <b>MCB 523</b>    |            |           |  | <b>MCS 854</b>    |              |
| RG  | 80 | C            | NC11A      | 85-87 | <b>MCB 556</b>    |            |           |  | <b>MCS 855</b>    |              |
| RG  | 80 | Gamma        | NC11A      | 88-95 | <b>MCB 556</b>    |            |           |  | <b>MCS 855</b>    |              |
| RM  | 80 |              |            | 89-93 | <b>MCB 519 SI</b> | <b>EC</b>  |           |  | <b>MCB 519 SI</b> | <b>EC</b>    |
| RM  | 80 |              |            | 86-88 | <b>MCB 522</b>    |            |           |  | <b>MCS 963</b>    |              |
| RM  | 80 |              |            | 94-95 | <b>MCB 582 SI</b> | <b>RSI</b> | <b>SV</b> |  | <b>MCB 519 SI</b> | <b>EC</b>    |



→ SUZUKI

|      |     |             |        |       |                    |            |           |                    |            |           |  |
|------|-----|-------------|--------|-------|--------------------|------------|-----------|--------------------|------------|-----------|--|
| RM   | 80  |             | RC12A  | 96-01 | <b>MCB 679 SI</b>  | <b>EC</b>  |           | <b>MCB 519 SI</b>  | <b>EC</b>  |           |  |
| RM   | 80  |             | RC11   | 83-85 | <b>MCS 855</b>     |            |           | <b>MCS 901</b>     |            |           |  |
| RM   | 80  |             |        | 80-81 | <b>MCS 901</b>     |            |           | <b>MCS 901</b>     |            |           |  |
| TS   | 80  | ER          | TS80   | 81-82 | <b>MCS 855</b>     |            |           | <b>MCS 901</b>     |            |           |  |
| RM   | 85  |             |        | 02-04 | <b>MCB 679 SI</b>  | <b>EC</b>  |           | <b>MCB 519 SI</b>  | <b>EC</b>  |           |  |
| RM   | 85  |             |        | 05-   | <b>MCB 697 SI</b>  | <b>RSI</b> | <b>EC</b> | <b>MCB 772 SI</b>  | <b>RSI</b> | <b>EC</b> |  |
| RV   | 90  |             | RV90   | 73-77 | <b>MCS 854</b>     |            |           | <b>MCS 854</b>     | <b>EC</b>  |           |  |
| AH   | 100 | Address     | CE12A  | 92-   | <b>MCB 519</b>     | <b>SR</b>  |           | <b>MCS 990</b>     |            |           |  |
| RM   | 100 |             |        | 03-   | <b>MCB 697 SI</b>  | <b>EC</b>  |           | <b>MCB 561 SI</b>  | <b>EC</b>  |           |  |
| TS   | 100 | ER          |        | 82-   | <b>MCS 855</b>     |            |           | <b>MCS 901</b>     |            |           |  |
| UG   | 110 | Hokuto      |        | 98-02 | <b>MCB 679</b>     | <b>SR</b>  |           | <b>MCS 990</b>     |            |           |  |
|      | 125 | Lido Vario  | CF41BH | 90-   | <b>MCB 522</b>     |            |           | <b>MCS 921</b>     |            |           |  |
|      | 125 | Vecstar     |        | 96-   | <b>MCB 679</b>     | <b>SR</b>  |           | <b>MCS 921</b>     |            |           |  |
| AN   | 125 |             | CF42A  | 94-00 | <b>MCB 679</b>     | <b>SR</b>  |           | <b>MCS 921</b>     |            |           |  |
| DR   | 125 | S           | SF42A  | 85-93 | <b>MCB 510</b>     | <b>SI</b>  |           | <b>MCS 855</b>     |            |           |  |
| DR   | 125 | S           | SF42A  | 82-84 | <b>MCS 855</b>     |            |           | <b>MCS 855</b>     |            |           |  |
| DR   | 125 | SE          | SF43B  | 94-95 | <b>MCB 510</b>     | <b>SI</b>  |           | <b>MCS 855</b>     |            |           |  |
| DR   | 125 | SE          | SF44A  | 96-01 | <b>MCB 510</b>     | <b>SI</b>  |           | <b>MCS 855</b>     |            |           |  |
| DR   | 125 | SM          |        | 08-   | <b>MCB 669 SI</b>  | <b>RSI</b> | <b>EC</b> | <b>MCB 575 SI</b>  | <b>RSI</b> | <b>EC</b> |  |
| DR-Z | 125 |             |        | 04-   | <b>MCB 679</b>     | <b>SI</b>  | <b>EC</b> | <b>MCS 901</b>     |            |           |  |
| EN   | 125 |             |        | 05-   | <b>MCB 582</b>     | <b>SV</b>  |           | <b>MCS 855</b>     |            |           |  |
| GN   | 125 | R           | NF41A  | 94-04 | <b>MCB 523</b>     |            |           | <b>MCS 855</b>     |            |           |  |
| GP   | 125 |             | GP125  | 77-   | <b>MCB 513</b>     |            |           | <b>MCS 855</b>     |            |           |  |
| GS   | 125 | E, ESD      | AW     | 83-   | <b>MCB 765</b>     |            |           | <b>MCS 855</b>     |            |           |  |
| GT   | 125 |             | GT125  | 74-77 | <b>MCB 16</b>      |            |           | <b>MCS 855</b>     |            |           |  |
| GT   | 125 | E           | GT125  | 78-79 | <b>MCB 16</b>      |            |           | <b>MCS 855</b>     |            |           |  |
| GV   | 125 | Z, E        |        | 82-90 | <b>MCB 765</b>     |            |           |                    |            |           |  |
| GV   | 125 |             |        | 05-   | <b>MCB 765</b>     |            |           |                    |            |           |  |
| GZ   | 125 | Marauder    | AP     | 98-   | <b>MCB 550</b>     |            |           | <b>MCS 855</b>     |            |           |  |
| RG   | 125 | Gamma       |        | 85-90 | <b>MCB 556</b>     |            |           | <b>MCS 855</b>     |            |           |  |
| RG   | 125 | Gamma       |        | 91-   | <b>MCB 602</b>     | <b>SV</b>  |           | <b>MCB 531</b>     | <b>SH</b>  |           |  |
| RM   | 125 |             | RM125  | 75-80 | <b>MCS 855</b>     |            |           | <b>MCS 855</b>     |            |           |  |
| RM   | 125 |             |        | 81-83 | <b>MCS 855</b>     |            |           | <b>MCS 915</b>     |            |           |  |
| RM   | 125 |             | RF12A  | 84    |                    |            |           | <b>MCS 915</b>     |            |           |  |
| RM   | 125 |             |        | 85-86 | <b>MCB 550</b>     |            |           | <b>MCS 915</b>     |            |           |  |
| RM   | 125 |             | RF13A  | 87    | <b>MCB 582 SI</b>  | <b>RSI</b> |           | <b>MCS 915</b>     |            |           |  |
| RM   | 125 |             | RF13A  | 88    | <b>MCB 582 SI</b>  | <b>RSI</b> |           | <b>MCB 538 SI</b>  |            |           |  |
| RM   | 125 |             | RF14A  | 89-93 | <b>MCB 582 SI</b>  | <b>RSI</b> |           | <b>MCB 625 SI</b>  | <b>RSI</b> |           |  |
| RM   | 125 |             | RF14A  | 94-95 | <b>MCB 582 SI</b>  | <b>RSI</b> |           | <b>MCB 625 SI</b>  | <b>RSI</b> |           |  |
| RM   | 125 |             | RF15A  | 96-04 | <b>MCB 669 SI</b>  | <b>RSI</b> | <b>EC</b> | <b>MCB 575 SI</b>  | <b>RSI</b> | <b>EC</b> |  |
| RM   | 125 |             |        | 05-   | <b>MCB 669 SI</b>  | <b>RSI</b> | <b>EC</b> | <b>MCB 575 SI</b>  | <b>RSI</b> | <b>EC</b> |  |
| RV   | 125 |             | RV125  | 73    | <b>MCS 854</b>     |            |           | <b>MCS 855</b>     |            |           |  |
| RV   | 125 |             | RV125  | 74-81 | <b>MCS 855</b>     |            |           | <b>MCS 855</b>     |            |           |  |
| RV   | 125 | Van Van     | WVBT   | 03-   | <b>MCB 681</b>     | <b>SV</b>  |           | <b>MCS 854</b>     |            |           |  |
| TS   | 125 |             |        | 85-   | <b>MCB 510</b>     | <b>SI</b>  |           |                    |            |           |  |
| TS   | 125 |             | TS125  | 72    | <b>MCS 854</b>     |            |           | <b>MCS 855</b>     |            |           |  |
| TS   | 125 |             | TS1252 | 73-81 | <b>MCS 855</b>     |            |           | <b>MCS 855</b>     |            |           |  |
| TS   | 125 | ER          | TS1252 | 79-81 | <b>MCS 855</b>     |            |           | <b>MCS 855</b>     |            |           |  |
| TS   | 125 | R           |        | 90-96 | <b>MCB 582</b>     | <b>SI</b>  |           | <b>MCB 625 SI</b>  |            |           |  |
| TU   | 125 | XT          | AZ     | 99-   | <b>MCB 523</b>     | <b>SI</b>  |           | <b>MCS 855</b>     |            |           |  |
| UC   | 125 | Epicuro     | AX     | 99-02 | <b>MCB 679</b>     | <b>SR</b>  |           | <b>MCS 823</b>     |            |           |  |
| UE   | 125 |             | WVBH   | 01-   | <b>MCB 519</b>     | <b>EC</b>  |           | <b>MCS 921</b>     |            |           |  |
| UX   | 125 | SIXteen     |        | 08-   | <b>MCB 776 SRM</b> |            |           | <b>MCB 746 SRM</b> |            |           |  |
| UH   | 125 | Burgman     | BP     | 02-06 | <b>MCB 648 SRM</b> |            |           | <b>MCB 700 SRM</b> | <b>EC</b>  |           |  |
| UH   | 125 | Burgman     |        | 07-   | <b>MCB 776 SRM</b> |            |           | <b>MCB 724</b>     |            |           |  |
| VL   | 125 | Intruder LC | WVA4   | 02-   | <b>MCB 550</b>     |            |           | <b>MCS 855</b>     |            |           |  |
| VL   | 125 | Intruder LC | A4     | 99-01 | <b>MCB 550</b>     |            |           | <b>MCS 855</b>     |            |           |  |
|      | 150 | Vecstar     |        | 96-   | <b>MCB 679</b>     | <b>SR</b>  |           | <b>MCS 921</b>     |            |           |  |
| AN   | 150 |             |        | 98-   | <b>MCB 679</b>     | <b>SR</b>  |           | <b>MCS 921</b>     |            |           |  |
| UE   | 150 | CT          | BJ     | 02-   | <b>MCB 519</b>     | <b>EC</b>  |           | <b>MCS 823</b>     |            |           |  |
| UH   | 150 | Burgman     |        | 04-   | <b>MCB 648 SRM</b> |            |           | <b>MCB 700 SRM</b> |            |           |  |
| UX   | 150 | SIXteen     |        | 08-   | <b>MCB 776 SRM</b> |            |           | <b>MCB 746 SRM</b> |            |           |  |
| LT-F | 160 |             |        | 91-01 | <b>MCS 921</b>     |            |           | <b>MCS 902</b>     |            |           |  |
| GT   | 185 |             | GT185  | 73-75 | <b>MCB 16</b>      |            |           | <b>MCS 855</b>     |            |           |  |
| GT   | 185 | E           | GT185  | 78-   | <b>MCB 16</b>      |            |           | <b>MCS 855</b>     |            |           |  |
| TS   | 185 |             | TS185  | 73-   | <b>MCS 854</b>     |            |           | <b>MCS 855</b>     |            |           |  |
| TS   | 185 | ER          | TS1852 | 79-   | <b>MCS 855</b>     |            |           | <b>MCS 855</b>     |            |           |  |
| DR   | 200 | K           |        | 89-   | <b>MCB 510</b>     | <b>SI</b>  |           | <b>MCS 855</b>     |            |           |  |
| GT   | 200 | N, E        | GT200  | 79-81 | <b>MCB 72</b>      |            |           | <b>MCS 855</b>     |            |           |  |





→ SUZUKI

|      |                  |     |             |       |                    |            |            |            |            |                    |            |           |  |  |
|------|------------------|-----|-------------|-------|--------------------|------------|------------|------------|------------|--------------------|------------|-----------|--|--|
| TS   | 200 R            |     |             | 89-   | <b>MCB 582</b>     | <b>SI</b>  |            |            |            | <b>MCB 625 SI</b>  |            |           |  |  |
| UH   | 200 Burgman      |     |             | 07-   | <b>MCB 776 SRM</b> |            |            |            |            | <b>MCB 724</b>     |            |           |  |  |
|      | 250 Inazuma      |     |             | 12-   | <b>MCB 598</b>     | <b>SV</b>  |            |            |            |                    |            |           |  |  |
| AN   | 250 Burgman      | 4 ☐ | AN          | 98-03 | <b>MCB 706 SRM</b> | <b>EC</b>  |            |            |            | <b>MCB 685 SRM</b> |            |           |  |  |
| AN   | 250 Burgman      | 4 ☐ | AN          | 04-   | <b>MCB 706 SRM</b> | <b>EC</b>  |            |            |            | <b>MCB 746 SRM</b> |            |           |  |  |
| CJ   | 250 Sky wave     | 4 ☐ |             | 98-   | <b>MCB 706 SRM</b> | <b>EC</b>  |            |            |            | <b>MCB 685 SRM</b> |            |           |  |  |
| DR   | 250 S            |     | SJ42A       | 85-88 | <b>MCB 510</b>     | <b>SI</b>  |            |            |            | <b>MCS 855</b>     |            |           |  |  |
| DR   | 250 S            |     |             | 89-94 | <b>MCB 582</b>     | <b>SI</b>  | <b>SV</b>  |            |            | <b>MCB 625 SI</b>  |            |           |  |  |
| DR   | 250 S            |     | SJ45A       | 95-   | <b>MCB 669</b>     | <b>SI</b>  | <b>RSI</b> | <b>EC</b>  |            | <b>MCB 625 SI</b>  |            |           |  |  |
| GN   | 250              |     | NJ42AD      | 85-88 | <b>MCB 509</b>     |            |            |            |            | <b>MCS 855</b>     |            |           |  |  |
| GN   | 250              |     | NJ42A       | 91-93 | <b>MCB 509</b>     |            |            |            |            | <b>MCS 907</b>     |            |           |  |  |
| GN   | 250              |     | NJ42A       | 94-   | <b>MCB 509</b>     |            |            |            |            | <b>MCS 855</b>     |            |           |  |  |
| GN   | 250 E            |     | NJ42A,NJ41A | 82-83 | <b>MCB 509</b>     |            |            |            |            | <b>MCS 907</b>     |            |           |  |  |
| GSF  | 250 Bandit       |     |             | 90-   | <b>MCB 569</b>     | <b>SV</b>  |            |            |            | <b>MCB 531</b>     | <b>SH</b>  |           |  |  |
| GSX  | 250              |     | GS25X       | 80-81 | <b>MCB 509</b>     |            |            |            |            | <b>MCS 907</b>     |            |           |  |  |
| GSX  | 250 E            |     | GS25X       | 81-   | <b>MCB 509</b>     |            |            |            |            | <b>MCB 73</b>      |            |           |  |  |
| GSX  | 250 E, ES        |     | GJ53B       | 82-83 | <b>MCB 501</b>     |            |            |            |            | <b>MCB 73</b>      |            |           |  |  |
| GSXR | 250              |     |             | 88-   | <b>MCB 542</b>     | *          |            |            |            | <b>MCB 531</b>     |            |           |  |  |
| GSXR | 250 R            |     |             | 89-   | <b>MCB 602</b>     | *          | <b>SV</b>  |            |            | <b>MCB 531</b>     | <b>SH</b>  |           |  |  |
| GT   | 250              |     | GT250       | 73-78 | <b>MCB 16</b>      |            |            |            |            | <b>MCS 904</b>     |            |           |  |  |
| GT   | 250 E            |     | GT2502      | 79-81 | <b>MCB 72</b>      |            |            |            |            | <b>MCS 907</b>     |            |           |  |  |
| GZ   | 250 Marauder     |     | AR          | 00-   | <b>MCB 550</b>     |            |            |            |            | <b>MCS 855</b>     |            |           |  |  |
| LT   | 250 RF Quadracer |     |             | 85    | <b>MCB 523 SI</b>  | *          |            |            |            | <b>MCB 510 SI</b>  |            |           |  |  |
| LT   | 250 RH/RJ/RK/RL  |     |             | 87-90 | <b>MCB 560 SI</b>  | *          |            |            |            | <b>MCB 626 SI</b>  |            |           |  |  |
| LT-F | 250 K Ozark      |     |             | 02-   | <b>MCB 510 SI</b>  | *          |            |            |            |                    |            |           |  |  |
| LT-Z | 250 QuadSport    |     |             | 04-   | <b>MCB 510 Si</b>  | *          |            |            |            |                    |            |           |  |  |
| RG   | 250 Gamma        |     | CJ21A       | 83    | <b>MCB 531</b>     | *          |            |            |            | <b>MCB 531</b>     |            |           |  |  |
| RG   | 250 Gamma        |     | CJ21B       | 84-   | <b>MCB 547</b>     | *          |            |            |            | <b>MCB 531</b>     |            |           |  |  |
| RGV  | 250              |     |             | 88    | <b>MCB 595</b>     | *          | <b>SV</b>  | <b>SRQ</b> |            | <b>MCB 531</b>     |            |           |  |  |
| RGV  | 250              |     | VJ21A       | 89-90 | <b>MCB 602</b>     | *          | <b>SV</b>  | <b>SRQ</b> |            | <b>MCB 531</b>     |            |           |  |  |
| RGV  | 250              |     | VJ22B       | 91-92 | <b>MCB 602</b>     | *          | <b>SV</b>  | <b>SRQ</b> | <b>CRQ</b> | <b>MCB 586</b>     |            |           |  |  |
| RGV  | 250              |     | VJ22B       | 93-   | <b>MCB 602</b>     | *          | <b>SV</b>  | <b>SRQ</b> | <b>CRQ</b> | <b>MCB 612</b>     |            |           |  |  |
| RH   | 250              |     |             | 85-   | <b>MCB 510</b>     | <b>SI</b>  |            |            |            |                    |            |           |  |  |
| RM   | 250              |     | RJ14A       | 85-   | <b>MCB 550</b>     |            |            |            |            |                    |            |           |  |  |
| RM   | 250              |     | RJ14A       | 86-   | <b>MCB 551</b>     |            |            |            |            |                    |            |           |  |  |
| RM   | 250              |     | RJ14A       | 87-88 | <b>MCB 582 SI</b>  | <b>RSI</b> |            |            |            | <b>MCB 561 SI</b>  | <b>EC</b>  |           |  |  |
| RM   | 250              |     | RJ14A       | 89-95 | <b>MCB 582 SI</b>  | <b>RSI</b> |            |            |            | <b>MCB 625 SI</b>  | <b>RSI</b> |           |  |  |
| RM   | 250              |     | RJ14A       | 94-95 | <b>MCB 582 SI</b>  | <b>RSI</b> |            |            |            | <b>MCB 625 SI</b>  | <b>RSI</b> |           |  |  |
| RM   | 250              |     | RJ18C       | 96-04 | <b>MCB 669 SI</b>  | <b>RSI</b> | <b>EC</b>  |            |            | <b>MCB 575 SI</b>  | <b>RSI</b> | <b>EC</b> |  |  |
| RM   | 250              |     |             | 05-   | <b>MCB 669 SI</b>  | <b>RSI</b> | <b>EC</b>  |            |            | <b>MCB 575 SI</b>  | <b>RSI</b> | <b>EC</b> |  |  |
| RMX  | 250              |     |             | 89-95 | <b>MCB 582 SI</b>  | <b>RSI</b> |            |            |            | <b>MCB 625 SI</b>  | <b>RSI</b> |           |  |  |
| RMX  | 250              |     |             | 96-98 | <b>MCB 669 SI</b>  | <b>RSI</b> | <b>EC</b>  |            |            | <b>MCB 625 SI</b>  | <b>RSI</b> |           |  |  |
| RMX  | 250              |     |             | 99-01 | <b>MCB 669 SI</b>  | <b>RSI</b> | <b>EC</b>  |            |            | <b>MCB 575 SI</b>  | <b>RSI</b> | <b>EC</b> |  |  |
| RM-Z | 250              |     |             | 04-   | <b>MCB 669 SI</b>  | <b>RSI</b> | <b>EC</b>  |            |            | <b>MCB 739 SI</b>  | <b>RSI</b> | <b>EC</b> |  |  |
| TS   | 250              |     | TS 250      | 71-76 | <b>MCB 509</b>     |            |            |            |            | <b>MCS 902</b>     |            |           |  |  |
| TS   | 250              |     | TS2504      | 77-78 | <b>MCS 902</b>     |            |            |            |            | <b>MCS 902</b>     |            |           |  |  |
| TS   | 250 X            |     | SJ11B       | 85-89 | <b>MCB 510</b>     | <b>SI</b>  |            |            |            |                    |            |           |  |  |
| TU   | 250 X            |     |             | 97-   | <b>MCB 550</b>     |            |            |            |            | <b>MCS 855</b>     |            |           |  |  |
| VL   | 250 Intruder     |     | WVA5        | 00-   | <b>MCB 550</b>     |            |            |            |            | <b>MCS 855</b>     |            |           |  |  |
| LT-F | 300 F            | ☐   |             | 02-   | <b>MCB 582 SI</b>  |            |            |            |            | <b>MCS 905</b>     |            |           |  |  |
| LT-F | 300 F            | ☐   |             | 02-   | <b>MCB 615 SI</b>  |            |            |            |            | <b>MCS 905</b>     |            |           |  |  |
| LT-F | 300 F King Quad  |     |             | 99-01 |                    |            |            |            |            | <b>MCS 905</b>     |            |           |  |  |
| DR   | 350 N,S, ES, SE  |     | DK41A       | 90-96 | <b>MCB 582</b>     | <b>SI</b>  | <b>SV</b>  |            |            | <b>MCB 625 SI</b>  |            |           |  |  |
| DR   | 350 V,W,X        |     | SK42B       | 97-   | <b>MCB 582</b>     | <b>SI</b>  | <b>SV</b>  |            |            | <b>MCB 625 SI</b>  |            |           |  |  |
| SP   | 370              |     | SP370       | 77-80 | <b>MCS 902</b>     |            |            |            |            | <b>MCS 902</b>     |            |           |  |  |
| GT   | 380              |     | GT380       | 73-77 | <b>MCB 16</b>      |            |            |            |            | <b>MCS 904</b>     |            |           |  |  |
| AN   | 400 Burgman      | 4 ☐ | AU          | 99-00 | <b>MCB 706 SRM</b> | <b>EC</b>  |            |            |            | <b>MCB 685 SRM</b> |            |           |  |  |
| AN   | 400 Burgman      | 4 ☐ | WVAU        | 01-06 | <b>MCB 706 SRM</b> | <b>EC</b>  |            |            |            | <b>MCB 746 SRM</b> |            |           |  |  |
| AN   | 400 Burgman      | ☐   |             | 07-   | <b>MCB 582 SRM</b> |            |            |            |            | <b>MCB 751 SRM</b> |            |           |  |  |
| AN   | 400 Burgman      | ☐   |             | 07-   | <b>MCB 615 SRM</b> |            |            |            |            |                    |            |           |  |  |
| DR   | 400 S            |     | DR400       | 80-81 | <b>MCS 902</b>     |            |            |            |            | <b>MCS 902</b>     |            |           |  |  |
| DR-Z | 400 S/E          |     | WVBC        | 00-06 | <b>MCB 669</b>     | <b>SI</b>  | <b>RSI</b> | <b>EC</b>  |            | <b>MCB 575 SI</b>  | <b>RSI</b> | <b>EC</b> |  |  |
| DR-Z | 400 SM           |     |             | 05-   | <b>MCB 669</b>     | <b>SI</b>  | <b>RSI</b> | <b>EC</b>  |            | <b>MCB 575 SI</b>  | <b>RSI</b> | <b>EC</b> |  |  |
| GN   | 400 T,TD,L       |     | GN400       | 80-82 | <b>MCB 509</b>     |            |            |            |            | <b>MCS 907</b>     |            |           |  |  |
| GS   | 400              |     | GS400       | 77-78 | <b>MCB 70</b>      |            |            |            |            |                    |            |           |  |  |
| GS   | 400 E            |     | GS400       | 78-79 | <b>MCB 72</b>      |            |            |            |            |                    |            |           |  |  |
| GSF  | 400 Bandit       |     | GK75B       | 91-92 | <b>MCB 569</b>     | *          | <b>SV</b>  |            |            | <b>MCB 531</b>     | <b>SH</b>  |           |  |  |
| GSF  | 400 Bandit       |     | GK75B       | 93-94 | <b>MCB 602</b>     | *          | <b>SV</b>  |            |            | <b>MCB 531</b>     | <b>SH</b>  |           |  |  |
| GSF  | 400 Bandit       |     | GK75B       | 95-   | <b>MCB 682</b>     | *          | <b>SV</b>  |            |            | <b>MCB 531</b>     | <b>SH</b>  |           |  |  |





→ SUZUKI

|      |     |                |        |       |                   |   |            |            |            |                   |            |           |
|------|-----|----------------|--------|-------|-------------------|---|------------|------------|------------|-------------------|------------|-----------|
| GSX  | 400 | E              | GK53C  | 85-   | <b>MCB 501</b>    |   |            |            |            | <b>MCS 904</b>    |            |           |
| GSX  | 400 | E              | GK53C  | 82-83 | <b>MCB 509</b>    |   |            |            |            | <b>MCS 907</b>    |            |           |
| GSX  | 400 | E, L, S        | GS40X  | 80-81 | <b>MCB 509</b>    |   |            |            |            | <b>MCS 907</b>    |            |           |
| GSX  | 400 | F              |        | 89-   | <b>MCB 591</b>    | * | <b>SV</b>  |            |            | <b>MCB 531</b>    | <b>SH</b>  |           |
| GSX  | 400 | FE             | GS40XF | 81    | <b>MCB 523</b>    | * |            |            |            | <b>MCB 73</b>     |            |           |
| GSX  | 400 | S              | GK53C  | 86-   | <b>MCB 501</b>    |   |            |            |            | <b>MCS 904</b>    |            |           |
| GSX  | 400 | S              | GK53C  | 82-   | <b>MCB 509</b>    |   |            |            |            | <b>MCS 907</b>    |            |           |
| GSX  | 400 | S              | GK53C  | 83-85 | <b>MCB 509</b>    |   |            |            |            | <b>MCS 907</b>    |            |           |
| GSX  | 400 | S, Katana      | GK53C  | 92-   | <b>MCB 602</b>    | * | <b>SV</b>  |            |            | <b>MCS 904</b>    |            |           |
| GSXR | 400 |                |        | 87    | <b>MCB 542</b>    | * |            |            |            | <b>MCB 531</b>    |            |           |
| GSXR | 400 |                |        | 88-   | <b>MCB 602</b>    | * | <b>SV</b>  | <b>SRQ</b> | <b>CRQ</b> | <b>MCB 531</b>    | <b>SH</b>  |           |
| GSXR | 400 | R              |        | 90-   | <b>MCB 595</b>    | * | <b>SV</b>  | <b>SRQ</b> | <b>CRQ</b> | <b>MCB 531</b>    | <b>SH</b>  |           |
| LT-A | 400 | FK2 Eiger 4WD  | AK     | 02-   | <b>MCB 510 SI</b> | * |            |            |            | in Vorber.        |            |           |
| LT-A | 400 | K2 Eiger       | AK     | 02-   | <b>MCB 510 SI</b> | * |            |            |            | in Vorber.        |            |           |
| LT-F | 400 | FK2 Eiger 4WD  | AK     | 02-   | <b>MCB 510 SI</b> | * |            |            |            | in Vorber.        |            |           |
| LT-F | 400 | K2 Eiger       | AK     | 02-   | <b>MCB 510 SI</b> | * |            |            |            | in Vorber.        |            |           |
| LT-Z | 400 | Quad Sport     | AK     | 03-   | <b>MCB 554 SI</b> | * |            |            |            | <b>MCB 626 SI</b> |            |           |
| GS   | 450 |                | GS450  | 80-81 | <b>MCB 509</b>    |   |            |            |            | <b>MCS 907</b>    |            |           |
| GS   | 450 |                | GL51F  | 90-   | <b>MCB 569</b>    |   | <b>SV</b>  |            |            | <b>MCB 569</b>    | <b>SH</b>  |           |
| GS   | 450 | E, L, S,       | GS450  | 80-83 | <b>MCB 509</b>    |   |            |            |            | <b>MCS 907</b>    |            |           |
| GS   | 450 | S, SU          | GL51F  | 88-89 | <b>MCB 501</b>    |   |            |            |            | <b>MCS 907</b>    |            |           |
| GS   | 450 | TU             | GS450  | 81    | <b>MCB 509</b>    |   |            |            |            | <b>MCS 907</b>    |            |           |
| LT-R | 450 |                |        | 06-   | <b>MCB 582 SI</b> |   |            |            |            |                   |            |           |
| LT-R | 450 |                |        | 06-   | <b>MCB 615 SI</b> |   |            |            |            |                   |            |           |
| RMX  | 450 | Z Efi          |        | 10-   | <b>MCB 669 SI</b> |   | <b>RSI</b> | <b>EC</b>  |            | <b>MCB 739 SI</b> | <b>RSI</b> | <b>EC</b> |
| RM-Z | 450 |                |        | 05-07 | <b>MCB 669 SI</b> |   | <b>RSI</b> | <b>EC</b>  |            | <b>MCB 739 SI</b> | <b>RSI</b> | <b>EC</b> |
| RM-Z | 450 | Efi            |        | 08-   | <b>MCB 669 SI</b> |   | <b>RSI</b> | <b>EC</b>  |            | <b>MCB 739 SI</b> | <b>RSI</b> | <b>EC</b> |
| DR   | 500 | S              |        | 89-   | <b>MCB 551</b>    |   |            |            |            | <b>MCS 955</b>    |            |           |
| DR   | 500 | S              | DR500  | 81-82 | <b>MCS 902</b>    |   |            |            |            | <b>MCS 902</b>    |            |           |
| GS   | 500 |                | BK     | 04-   | <b>MCB 681</b>    |   | <b>SV</b>  |            |            | <b>MCB 531</b>    | <b>SH</b>  |           |
| GS   | 500 | /F             | WVBK   | 04-   | <b>MCB 681</b>    |   | <b>SV</b>  |            |            | <b>MCB 531</b>    | <b>SH</b>  |           |
| GS   | 500 | E              | GM51B  | 92-96 | <b>MCB 569</b>    |   | <b>SV</b>  |            |            | <b>MCB 531</b>    | <b>SH</b>  |           |
| GS   | 500 | E              | GM51B  | 97-03 | <b>MCB 681</b>    |   | <b>SV</b>  |            |            | <b>MCB 531</b>    | <b>SH</b>  |           |
| GS   | 500 | E              | GS500E | 80-81 | <b>MCB 72</b>     |   |            |            |            | <b>MCB 73</b>     |            |           |
| GS   | 500 | E, EU          | GM51B  | 89-91 | <b>MCB 569</b>    |   | <b>SV</b>  |            |            | <b>MCB 531</b>    | <b>SH</b>  |           |
| GT   | 500 |                | T500   | 76-77 | <b>MCB 16</b>     |   |            |            |            | <b>MCS 904</b>    |            |           |
| LT   | 500 | R              |        | 88-   | <b>MCB 519 SI</b> | * | <b>EC</b>  |            |            |                   |            |           |
| LT   | 500 | RH Quadzilla   |        | 87-   | <b>MCB 560 SI</b> | * |            |            |            | <b>MCB 561 SI</b> | <b>EC</b>  |           |
| LT   | 500 | RL             |        | 90    | <b>MCB 560 SI</b> | * |            |            |            | <b>MCB 626 SI</b> |            |           |
| LT-A | 500 | FK2 Vinson 4WD |        | 02-   | <b>MCB 510 SI</b> | * |            |            |            | <b>MCB 523 SI</b> |            |           |
| LT-A | 500 | FY, FK         |        | 00-01 | <b>MCB 582 SI</b> |   |            |            |            | <b>MCS 905</b>    |            |           |
| LT-A | 500 | FY, FK         |        | 00-01 | <b>MCB 615 SI</b> |   |            |            |            |                   |            |           |
| LT-A | 500 | King Quad      |        | 11-   | <b>MCB 787 SI</b> |   |            |            |            |                   |            |           |
| LT-A | 500 | King Quad      |        | 11-   | <b>MCB 788 SI</b> |   |            |            |            |                   |            |           |
| LT-F | 500 | F              |        | 03-   | <b>MCB 510 SI</b> | * |            |            |            | <b>MCB 723 SI</b> |            |           |
| LT-F | 500 | F              |        | 98-02 | <b>MCB 582 SI</b> |   |            |            |            | <b>MCS 905</b>    |            |           |
| LT-F | 500 | F              |        | 98-02 | <b>MCB 615 SI</b> |   |            |            |            |                   |            |           |
| RG   | 500 | Gamma          | HM31A  | 86-89 | <b>MCB 542</b>    | * |            |            |            | <b>MCB 531</b>    |            |           |
| RM   | 500 |                |        | 85    | <b>MCB 550</b>    |   |            |            |            |                   |            |           |
| GS   | 550 |                | GS550  | 77    | <b>MCB 72</b>     |   |            |            |            |                   |            |           |
| GS   | 550 | D              | GS550D | 80    | <b>MCB 501</b>    | * |            |            |            | <b>MCB 73</b>     |            |           |
| GS   | 550 | E              | GS550  | 78-79 | <b>MCB 72</b>     | * |            |            |            | <b>MCB 73</b>     |            |           |
| GS   | 550 | E, EG          | GS550E | 80-   | <b>MCB 501</b>    | * |            |            |            | <b>MCB 73</b>     |            |           |
| GS   | 550 | L              | GS550E | 80-   | <b>MCB 501</b>    | * |            |            |            | <b>MCB 73</b>     |            |           |
| GS   | 550 | M              | GS550M | 81-84 | <b>MCB 501</b>    | * |            |            |            | <b>MCB 73</b>     |            |           |
| GS   | 550 | T              | GS550E | 81    | <b>MCB 501</b>    | * |            |            |            | <b>MCB 73</b>     |            |           |
| GSX  | 550 | E              | GN71D  | 83-86 | <b>MCB 531</b>    | * |            |            |            | <b>MCB 531</b>    |            |           |
| GSX  | 550 | EF             | GN71D  | 84-87 | <b>MCB 531</b>    | * |            |            |            | <b>MCB 531</b>    |            |           |
| GSX  | 550 | ES             | GN71D  | 83-87 | <b>MCB 531</b>    | * |            |            |            | <b>MCB 531</b>    |            |           |
| GSX  | 550 | EU             | GN71D  | 85-87 | <b>MCB 531</b>    | * |            |            |            | <b>MCB 531</b>    |            |           |
| GT   | 550 |                | GT550  | 73-75 | <b>MCB 16</b>     |   |            |            |            | <b>MCS 904</b>    |            |           |
| GT   | 550 |                | GT550  | 76-77 | <b>MCB 72</b>     |   |            |            |            |                   |            |           |
| DR   | 600 | R, RU          | SN41A  | 86-88 | <b>MCB 551</b>    |   |            |            |            | <b>MCS 855</b>    |            |           |
| DR   | 600 | R, RU          | SN41A  | 89-   | <b>MCB 551</b>    |   |            |            |            | <b>MCB 612</b>    |            |           |
| DR   | 600 | S, SU          | SN41AD | 85-88 | <b>MCB 551</b>    |   |            |            |            | <b>MCS 855</b>    |            |           |
| DR   | 600 | S, SU          | SN41AD | 89-   | <b>MCB 551</b>    |   |            |            |            | <b>MCS 855</b>    |            |           |
| GSF  | 600 | Bandit         | GN77B  | 94-99 | <b>MCB 598</b>    | * | <b>SV</b>  |            |            | <b>MCB 531</b>    | <b>SH</b>  |           |
| GSF  | 600 | Bandit         | WVA8   | 00-04 | <b>MCB 681</b>    |   | <b>SV</b>  | <b>SRQ</b> |            | <b>MCB 531</b>    | <b>SH</b>  |           |
| GSF  | 600 | Bandit         | WVA8   | 00-04 | <b>MCB 682</b>    |   | <b>SV</b>  | <b>SRQ</b> |            |                   |            |           |





→ SUZUKI

|      |                  |   |          |       |                     |   |            |            |            |                    |           |
|------|------------------|---|----------|-------|---------------------|---|------------|------------|------------|--------------------|-----------|
| GSR  | 600              |   | WVB9     | 06-   | <b>MCB 602</b>      | * | <b>SV</b>  | <b>SRQ</b> |            | <b>MCB 783 SH</b>  |           |
| GSX  | 600 F            |   | GN72B    | 88-97 | <b>MCB 591</b>      | * | <b>SV</b>  |            |            | <b>MCB 531</b>     | <b>SH</b> |
| GSX  | 600 F            | ➡ | AJ       | 98-04 | <b>MCB 681</b>      |   | <b>SV</b>  | <b>SRQ</b> |            |                    |           |
| GSX  | 600 F            | ➡ | AJ       | 98-04 | <b>MCB 682</b>      |   | <b>SV</b>  | <b>SRQ</b> |            | <b>MCB 531</b>     | <b>SH</b> |
| GSXR | 600              |   | WVBG     | 97-03 | <b>MCB 602 SV</b>   | * | <b>SRQ</b> | <b>CRQ</b> |            | <b>MCB 531</b>     | <b>SH</b> |
| GSXR | 600              |   | WVB2     | 04-05 | <b>MCB 752 SV</b>   | * | <b>SRQ</b> | <b>CRQ</b> | <b>SCR</b> | <b>MCB 729</b>     | <b>SH</b> |
| GSXR | 600              |   | WVCE     | 06-07 | <b>MCB 752 SV</b>   | * | <b>SRQ</b> | <b>CRQ</b> | <b>SCR</b> | <b>MCB 783 SH</b>  |           |
| GSXR | 600              |   | WVCV     | 08-10 | <b>MCB 752 SV</b>   | * | <b>SRQ</b> | <b>CRQ</b> | <b>SCR</b> | <b>MCB 783 SH</b>  |           |
| GSXR | 600              |   | C3       | 11-   | <b>MCB 792 SV</b>   | * | <b>SRQ</b> | <b>CRQ</b> | <b>SCR</b> | <b>MCB 784 SH</b>  |           |
| RF   | 600 R, RU        |   | GN76B    | 93-96 | <b>MCB 598</b>      | * | <b>SV</b>  | <b>SRQ</b> |            | <b>MCB 531</b>     | <b>SH</b> |
| VS   | 600 GLP          |   | VN51B    | 94-97 | <b>MCB 542</b>      |   |            |            |            | <b>MCS 959</b>     |           |
| SFV  | 650 Gladius      | ➡ | SFV      | 09-   | <b>MCB 681</b>      |   | <b>SV</b>  |            |            | <b>MCB 841</b>     | <b>SH</b> |
| SFV  | 650 Gladius      | ➡ | SFV      | 09-   | <b>MCB 682</b>      |   | <b>SV</b>  |            |            |                    |           |
| AN   | 650 Burgman      |   | WVBU     | 02-   | <b>MCB 598 SRM*</b> |   |            |            |            | <b>MCB 751 SRM</b> |           |
| DL   | 650 V-Strom, ABS | ➡ | WVB1     | 04-   | <b>MCB 681</b>      |   | <b>SV</b>  |            |            | <b>MCB 634</b>     | <b>SH</b> |
| DL   | 650 V-Strom, ABS | ➡ | WVB1     | 04-   | <b>MCB 682</b>      |   | <b>SV</b>  |            |            |                    |           |
| DR   | 650 R, RE        |   | SP44-45B | 91-   | <b>MCB 597</b>      |   | <b>SV</b>  |            |            | <b>MCB 612</b>     | <b>SH</b> |
| DR   | 650 R, RU        |   | SP41B    | 90-   | <b>MCB 551</b>      |   |            |            |            | <b>MCB 612</b>     | <b>SH</b> |
| DR   | 650 RS, RSU      |   | SP42B    | 91-   | <b>MCB 597</b>      |   | <b>SV</b>  |            |            | <b>MCB 612</b>     | <b>SH</b> |
| DR   | 650 RSE, RSEU    |   | SP43B    | 91-96 | <b>MCB 597</b>      |   | <b>SV</b>  |            |            | <b>MCB 612</b>     | <b>SH</b> |
| DR   | 650 SE T-W       |   | SP46B    | 96-   | <b>MCB 669 SI</b>   |   | <b>SV</b>  | <b>RSI</b> | <b>EC</b>  | <b>MCB 625 SI</b>  |           |
| GR   | 650              |   | GP51A    | 83-84 | <b>MCB 501</b>      |   |            |            |            | <b>MCS 907</b>     |           |
| GR   | 650 X            |   | GP51A    | 83-89 | <b>MCB 501</b>      |   |            |            |            | <b>MCS 907</b>     |           |
| GS   | 650 G            |   | GS650G   | 81-83 | <b>MCB 501</b>      | * |            |            |            | <b>MCB 73</b>      |           |
| GSF  | 650 Bandit       | ➡ | WVB5     | 05-   | <b>MCB 681</b>      |   | <b>SV</b>  | <b>SRQ</b> |            | <b>MCB 729</b>     | <b>SH</b> |
| GSF  | 650 Bandit       | ➡ | WVB5     | 05-   | <b>MCB 682</b>      |   | <b>SV</b>  | <b>SRQ</b> |            |                    |           |
| GSF  | 650 Bandit ABS   | ➡ | WVB5     | 05-   | <b>MCB 681</b>      |   | <b>SV</b>  | <b>SRQ</b> |            | <b>MCB 634</b>     | <b>SH</b> |
| GSF  | 650 Bandit ABS   | ➡ | WVB5     | 05-   | <b>MCB 682</b>      |   | <b>SV</b>  | <b>SRQ</b> |            |                    |           |
| GSF  | 650 S, ABS       | ➡ | WVCJ     | 07-   | <b>MCB 602</b>      |   | <b>SV</b>  | <b>SRQ</b> |            | <b>MCB 634</b>     | <b>SH</b> |
| GSX  | 650 F            |   | WVCJ     | 08-   | <b>MCB 602</b>      | * | <b>SV</b>  |            |            | <b>MCB 634</b>     | <b>SH</b> |
| LS   | 650 P Savage     |   | NP41B    | 86-01 | <b>MCB 550</b>      |   |            |            |            | <b>MCS 907</b>     |           |
| SV   | 650 , S          | ➡ | AV111    | 99-02 | <b>MCB 681</b>      |   | <b>SV</b>  | <b>SRQ</b> |            | <b>MCB 531</b>     | <b>SH</b> |
| SV   | 650 , S          | ➡ | AV111    | 99-02 | <b>MCB 682</b>      |   | <b>SV</b>  | <b>SRQ</b> |            |                    |           |
| SV   | 650 , S          | ➡ | WVBY     | 03-06 | <b>MCB 681</b>      |   | <b>SV</b>  | <b>SRQ</b> |            | <b>MCB 634</b>     | <b>SH</b> |
| SV   | 650 , S          | ➡ | WVBY     | 03-06 | <b>MCB 682</b>      |   | <b>SV</b>  | <b>SRQ</b> |            |                    |           |
| SV   | 650 , S /ABS     | ➡ | WVBY     | 07-   | <b>MCB 681</b>      |   | <b>SV</b>  | <b>SRQ</b> |            | <b>MCB 634</b>     | <b>SH</b> |
| SV   | 650 , S /ABS     | ➡ | WVBY     | 07-   | <b>MCB 682</b>      |   | <b>SV</b>  | <b>SRQ</b> |            |                    |           |
| XF   | 650 Freewind     |   | AC       | 97-   | <b>MCB 681</b>      |   | <b>SV</b>  |            |            | <b>MCB 585</b>     | <b>SH</b> |
|      | 700 Quadrunner   | ➡ |          | 04-   | <b>MCB 757 SI</b>   |   |            |            |            |                    |           |
|      | 700 Quadrunner   | ➡ |          | 04-   | <b>MCB 758 SI</b>   |   |            |            |            |                    |           |
| DR   | 750 S, SU        |   | SR41B    | 88    | <b>MCB 597</b>      |   | <b>SV</b>  |            |            | <b>MCS 907</b>     |           |
| DR   | 750 S, SU        |   | SR41B    | 89-   | <b>MCB 597</b>      |   | <b>SV</b>  |            |            | <b>MCB 612</b>     | <b>SH</b> |
| GS   | 750              |   | GS750    | 77-79 | <b>MCB 70</b>       |   |            |            |            | <b>MCB 73</b>      |           |
| GS   | 750 D            |   | GS750D   | 77-79 | <b>MCB 70</b>       |   |            |            |            | <b>MCB 73</b>      |           |
| GS   | 750 E            |   | GS750E   | 78-79 | <b>MCB 70</b>       |   |            |            |            | <b>MCB 73</b>      |           |
| GS   | 750 L            |   | GS750E   | 79    | <b>MCB 72</b>       | * |            |            |            | <b>MCB 73</b>      |           |
| GSR  | 750              | ➡ |          | 11-   | <b>MCB 681</b>      |   | <b>SV</b>  | <b>SRQ</b> |            | <b>MCB 634</b>     | <b>SH</b> |
| GSR  | 750              | ➡ |          | 11-   | <b>MCB 682</b>      |   | <b>SV</b>  | <b>SRQ</b> |            |                    |           |
| GSX  | 750              | ➡ | AE       | 98-02 | <b>MCB 681</b>      |   | <b>SV</b>  | <b>SRQ</b> |            | <b>MCB 531</b>     | <b>SH</b> |
| GSX  | 750              | ➡ | AE       | 98-02 | <b>MCB 682</b>      |   | <b>SV</b>  | <b>SRQ</b> |            |                    |           |
| GSX  | 750 E            |   | GS75X    | 80-82 | <b>MCB 509</b>      | * |            |            |            | <b>MCB 73</b>      |           |
| GSX  | 750 EF           |   | GR72A    | 85-   | <b>MCB 509</b>      | * |            |            |            | <b>MCB 73</b>      |           |
| GSX  | 750 EG           |   | GS75X    | 80-81 | <b>MCB 509</b>      | * |            |            |            | <b>MCB 73</b>      |           |
| GSX  | 750 ES           |   | GR72A    | 83-86 | <b>MCB 509</b>      | * |            |            |            | <b>MCB 73</b>      |           |
| GSX  | 750 F            |   | GR78A    | 89-97 | <b>MCB 591</b>      | * | <b>SV</b>  |            |            | <b>MCB 531</b>     | <b>SH</b> |
| GSX  | 750 F            | ➡ | AK       | 98-   | <b>MCB 681</b>      |   | <b>SV</b>  | <b>SRQ</b> |            | <b>MCB 531</b>     | <b>SH</b> |
| GSX  | 750 F            | ➡ | AK       | 98-   | <b>MCB 682</b>      |   | <b>SV</b>  | <b>SRQ</b> |            |                    |           |
| GSX  | 750 L            |   | GS75X    | 80-81 | <b>MCB 509</b>      | * |            |            |            | <b>MCB 73</b>      |           |
| GSX  | 750 S            |   | GR71A    | 82-   | <b>MCB 501</b>      | * |            |            |            | <b>MCB 73</b>      |           |
| GSXR | 750              |   | GR75A    | 85-87 | <b>MCB 542</b>      | * |            |            |            | <b>MCB 531</b>     |           |
| GSXR | 750              |   | GR77B    | 88-89 | <b>MCB 595</b>      | * | <b>SV</b>  | <b>SRQ</b> | <b>CRQ</b> | <b>MCB 531</b>     | <b>SH</b> |
| GSXR | 750              |   | GR7AB    | 90-91 | <b>MCB 595</b>      | * | <b>SV</b>  | <b>SRQ</b> | <b>CRQ</b> | <b>MCB 531</b>     | <b>SH</b> |
| GSXR | 750              |   | GR7BB    | 92-93 | <b>MCB 595</b>      | * | <b>SV</b>  | <b>SRQ</b> | <b>CRQ</b> | <b>MCB 531</b>     | <b>SH</b> |
| GSXR | 750              |   | GR7BB    | 94-95 | <b>MCB 659 SV</b>   | * | <b>SRQ</b> | <b>CRQ</b> |            | <b>MCB 531</b>     | <b>SH</b> |
| GSXR | 750              |   | GR7DB    | 96-99 | <b>MCB 659 SV</b>   | * | <b>SRQ</b> | <b>CRQ</b> |            | <b>MCB 531</b>     | <b>SH</b> |
| GSXR | 750              |   | WVBD     | 00-03 | <b>MCB 602 SV</b>   | * | <b>SRQ</b> | <b>CRQ</b> |            | <b>MCB 531</b>     | <b>SH</b> |
| GSXR | 750              |   | WVB3     | 04-05 | <b>MCB 752 SV</b>   | * | <b>SRQ</b> | <b>CRQ</b> | <b>SCR</b> | <b>MCB 729</b>     | <b>SH</b> |
| GSXR | 750              |   | WVCF     | 06-07 | <b>MCB 752 SV</b>   | * | <b>SRQ</b> | <b>CRQ</b> | <b>SCR</b> | <b>MCB 783 SH</b>  |           |
| GSXR | 750              |   | WVCW     | 08-10 | <b>MCB 752 SV</b>   | * | <b>SRQ</b> | <b>CRQ</b> | <b>SCR</b> | <b>MCB 783 SH</b>  |           |







→ SUZUKI

|      |      |                     |          |       |                     |            |            |            |                   |           |  |
|------|------|---------------------|----------|-------|---------------------|------------|------------|------------|-------------------|-----------|--|
| GSXR | 750  |                     | C4       | 11-   | <b>MCB 792 SV *</b> | <b>SRQ</b> | <b>CRQ</b> | <b>SCR</b> | <b>MCB 784 SH</b> |           |  |
| GT   | 750  |                     | GT750    | 73-77 | <b>MCB 16 *</b>     |            |            |            | <b>MCS 905</b>    |           |  |
| LT-A | 750  | King Quad           |          | 08-   | <b>MCB 787 SI</b>   |            |            |            |                   |           |  |
| LT-A | 750  | King Quad           |          | 08-   | <b>MCB 788 SI</b>   |            |            |            |                   |           |  |
| VS   | 750  | GL,F,P              | VR51BD   | 86-91 | <b>MCB 542</b>      |            |            |            | <b>MCS 959</b>    |           |  |
| DR   | 800  | S                   | SR43B    | 96-99 | <b>MCB 682</b>      | <b>SV</b>  |            |            | <b>MCB 604</b>    |           |  |
| DR   | 800  | SU,S                | SR43B    | 91-96 | <b>MCB 569</b>      | <b>SV</b>  |            |            | <b>MCB 615</b>    | <b>SH</b> |  |
| DR   | 800  | SU,S                | SR42B    | 90    | <b>MCB 597</b>      | <b>SV</b>  |            |            | <b>MCB 612</b>    | <b>SH</b> |  |
| DR-Z | 800  |                     |          | 88-90 | <b>MCB 597</b>      | <b>SV</b>  |            |            | <b>MCB 561</b>    | <b>EC</b> |  |
| DR-Z | 800  | Dzeta               |          | 91    | <b>MCB 597</b>      | <b>SV</b>  |            |            | <b>MCB 612</b>    | <b>SH</b> |  |
| M    | 800  | Intruder            | WVB4     | 05-   | <b>MCB 681</b>      | <b>SV</b>  |            |            | <b>MCS 959</b>    |           |  |
| VL   | 800  | C, Intruder Volusia | WVBM     | 01-   | <b>MCB 681</b>      | <b>SV</b>  |            |            | <b>MCS 959</b>    |           |  |
| VS   | 800  | GL                  | VS52B    | 92-00 | <b>MCB 542</b>      |            |            |            | <b>MCS 959</b>    |           |  |
| VX   | 800  | U                   | VS51B    | 90-95 | <b>MCB 569</b>      | <b>SV</b>  |            |            | <b>MCB 591</b>    | <b>SH</b> |  |
| VX   | 800  | U                   | VS51B    | 96-01 | <b>MCB 682 *</b>    | <b>SV</b>  |            |            | <b>MCB 531</b>    | <b>SH</b> |  |
| VZ   | 800  | Marauder            | WVAF     | 97-04 | <b>MCB 681</b>      | <b>SV</b>  |            |            | <b>MCS 959</b>    |           |  |
| GS   | 850  | E, L, G, GL         | GS 850   | 80-82 | <b>MCB 509 *</b>    |            |            |            | <b>MCB 73</b>     |           |  |
| GS   | 850  | G                   | GS72A    | 83-86 | <b>MCB 509 *</b>    |            |            |            | <b>MCB 73</b>     |           |  |
| GS   | 850  | G                   | GS 850   | 79    | <b>MCB 70 *</b>     |            |            |            | <b>MCB 73</b>     |           |  |
| XN   | 850  |                     | GR71A    | 83-   | <b>MCB 501 *</b>    |            |            |            | <b>MCB 73</b>     |           |  |
| RF   | 900  | R                   | GT73B    | 94-97 | <b>MCB 690 *</b>    | <b>SV</b>  |            |            | <b>MCB 678</b>    | <b>SH</b> |  |
| DL   | 1000 | V-Strom, ABS        | WVBS     | 02-   | <b>MCB 681</b>      | <b>SV</b>  |            |            | <b>MCB 634</b>    | <b>SH</b> |  |
| DL   | 1000 | V-Strom, ABS        | WVBS     | 02-   | <b>MCB 682</b>      | <b>SV</b>  |            |            |                   |           |  |
| GS   | 1000 | E                   | GS1000   | 78-80 | <b>MCB 72 *</b>     |            |            |            | <b>MCB 73</b>     |           |  |
| GS   | 1000 | E, H                | GS1000   | 80    | <b>MCB 72 *</b>     |            |            |            | <b>MCB 73</b>     |           |  |
| GS   | 1000 | G, GL               | GS100G   | 80-81 | <b>MCB 509 *</b>    |            |            |            | <b>MCB 73</b>     |           |  |
| GS   | 1000 | S                   | GS1000   | 79-   | <b>MCB 501 *</b>    |            |            |            | <b>MCB 73</b>     |           |  |
| GSXR | 1000 |                     | WVBL     | 01-02 | <b>MCB 659 SV *</b> | <b>SRQ</b> | <b>CRQ</b> |            | <b>MCB 729 SH</b> |           |  |
| GSXR | 1000 |                     | WVBZ     | 03    | <b>MCB 742 SV *</b> | <b>SRQ</b> | <b>CRQ</b> | <b>SCR</b> | <b>MCB 729 SH</b> |           |  |
| GSXR | 1000 |                     | WVBZ     | 04-06 | <b>MCB 752 SV *</b> | <b>SRQ</b> | <b>CRQ</b> | <b>SCR</b> | <b>MCB 729 SH</b> |           |  |
| GSXR | 1000 |                     | WVCL     | 07-08 | <b>MCB 752 SV *</b> | <b>SRQ</b> | <b>CRQ</b> | <b>SCR</b> | <b>MCB 783 SH</b> |           |  |
| GSXR | 1000 |                     | WVCY     | 09-11 | <b>MCB 752 SV *</b> | <b>SRQ</b> | <b>CRQ</b> | <b>SCR</b> | <b>MCB 784 SH</b> |           |  |
| GSXR | 1000 | Brembo              |          | 12-   | <b>MCB 792 SV *</b> | <b>SRQ</b> | <b>CRQ</b> | <b>SCR</b> | <b>MCB 784 SH</b> |           |  |
| SV   | 1000 | , S                 | WVBX     | 03-   | <b>MCB 602 *</b>    | <b>SV</b>  | <b>SRQ</b> | <b>CRQ</b> | <b>MCB 634</b>    | <b>SH</b> |  |
| TL   | 1000 | R                   | AM321    | 98-00 | <b>MCB 659 SV *</b> | <b>SRQ</b> | <b>CRQ</b> |            | <b>MCB 531</b>    | <b>SH</b> |  |
| TL   | 1000 | S                   | AG111    | 97-00 | <b>MCB 602 SV *</b> | <b>SRQ</b> | <b>CRQ</b> |            | <b>MCB 531</b>    | <b>SH</b> |  |
| GS   | 1100 | G                   | GU73A    | 84-85 | <b>MCB 509 *</b>    |            |            |            | <b>MCB 73</b>     |           |  |
| GS   | 1100 | G                   | GU71A    | 86    | <b>MCB 509 *</b>    |            |            |            | <b>MCB 73</b>     |           |  |
| GSX  | 1100 |                     | GS110X   | 80-81 | <b>MCB 501 *</b>    |            |            |            | <b>MCB 542</b>    |           |  |
| GSX  | 1100 |                     | GU71B    | 82-   | <b>MCB 501 *</b>    |            |            |            | <b>MCB 73</b>     |           |  |
| GSX  | 1100 | E                   | GS110X   | 81-   | <b>MCB 501 *</b>    |            |            |            | <b>MCB 73</b>     |           |  |
| GSX  | 1100 | E,EF,ES             | GV71C    | 84-87 | <b>MCB 542 *</b>    |            |            |            | <b>MCB 542</b>    |           |  |
| GSX  | 1100 | EX                  | GV71B    | 83-   | <b>MCB 501 *</b>    |            |            |            | <b>MCB 73</b>     |           |  |
| GSX  | 1100 | F                   | GV72C    | 88-92 | <b>MCB 591 *</b>    | <b>SV</b>  |            |            | <b>MCB 542</b>    |           |  |
| GSX  | 1100 | F                   | GV72C    | 93-96 | <b>MCB 591 *</b>    | <b>SV</b>  |            |            | <b>MCB 531</b>    | <b>SH</b> |  |
| GSX  | 1100 | G                   | GV74A    | 91-93 | <b>MCB 569 *</b>    | <b>SV</b>  |            |            | <b>MCB 591</b>    | <b>SH</b> |  |
| GSX  | 1100 | G                   | GV74A    | 94-95 | <b>MCB 569 *</b>    | <b>SV</b>  |            |            | <b>MCB 586</b>    |           |  |
| GSX  | 1100 | G                   | GV74A    | 96-   | <b>MCB 681</b>      | <b>SV</b>  | <b>SRQ</b> |            | <b>MCB 531</b>    | <b>SH</b> |  |
| GSX  | 1100 | G                   | GV74A    | 96-   | <b>MCB 682</b>      | <b>SV</b>  | <b>SRQ</b> |            |                   |           |  |
| GSXR | 1100 |                     | GV74CD   | 86-88 | <b>MCB 542 *</b>    |            |            |            | <b>MCB 531</b>    |           |  |
| GSXR | 1100 |                     | GV73C    | 89-92 | <b>MCB 595 *</b>    | <b>SV</b>  | <b>SRQ</b> | <b>CRQ</b> | <b>MCB 531</b>    | <b>SH</b> |  |
| GSXR | 1100 | W                   | GU75C    | 93-97 | <b>MCB 659 SV *</b> | <b>SRQ</b> | <b>CRQ</b> |            | <b>MCB 531</b>    | <b>SH</b> |  |
| GT   | 1100 |                     |          | 80-   | <b>MCB 501 *</b>    |            |            |            | <b>MCB 73</b>     |           |  |
| GSF  | 1200 | S, Bandit           | GV75A    | 96-00 | <b>MCB 690 *</b>    | <b>SV</b>  |            |            | <b>MCB 531</b>    | <b>SH</b> |  |
| GSF  | 1200 | S, Bandit           | WVA9     | 01-05 | <b>MCB 659 *</b>    | <b>SV</b>  | <b>SRQ</b> | <b>CRQ</b> | <b>MCB 531</b>    |           |  |
| GSF  | 1200 | S, Bandit           | WVCB     | 06    | <b>MCB 602 *</b>    | <b>SV</b>  | <b>SRQ</b> | <b>CRQ</b> | <b>MCB 634</b>    | <b>SH</b> |  |
| GSX  | 1200 | FS Inazuma          | A3       | 99-01 | <b>MCB 683 *</b>    | <b>SV</b>  | <b>SRQ</b> | <b>CRQ</b> | <b>MCB 531</b>    | <b>SH</b> |  |
| GSF  | 1250 | ABS, S ABS          | WVCH     | 07-   | <b>MCB 602 *</b>    | <b>SV</b>  | <b>SRQ</b> | <b>CRQ</b> | <b>MCB 634</b>    | <b>SH</b> |  |
| GSX  | 1250 | FA                  |          | 10-   | <b>MCB 602 *</b>    | <b>SV</b>  | <b>SRQ</b> | <b>CRQ</b> | <b>MCB 634</b>    | <b>SH</b> |  |
| GSX  | 1300 | B-King, ABS         | WVCR     | 07-   | <b>MCB 737 SV *</b> | <b>SRQ</b> | <b>CRQ</b> |            | <b>MCB 783 SH</b> | <b>SH</b> |  |
| GSX  | 1300 | R Hayabusa          | A1       | 99-07 | <b>MCB 659 SV *</b> | <b>SRQ</b> | <b>CRQ</b> |            | <b>MCB 531</b>    | <b>SH</b> |  |
| GSX  | 1300 | R Hayabusa          | WVCK     | 08-   | <b>MCB 752 SV *</b> | <b>SRQ</b> | <b>CRQ</b> | <b>SCR</b> | <b>MCB 783 SH</b> |           |  |
| GSX  | 1400 |                     | WVBN     | 01-07 | <b>MCB 659 *</b>    | <b>SV</b>  | <b>SRQ</b> | <b>CRQ</b> | <b>MCB 729</b>    |           |  |
| VS   | 1400 | Intruder            | VX51L/LD | 87-   | <b>MCB 542</b>      |            |            |            | <b>MCB 542</b>    |           |  |
| VL   | 1500 | Intruder            | WVAL     | 98-01 | <b>MCB 542</b>      |            |            |            | <b>MCB 542</b>    |           |  |
| VL   | 1500 | Intruder            | WVAL     | 02-04 | <b>MCB 681</b>      | <b>SV</b>  |            |            | <b>MCB 741</b>    | <b>SH</b> |  |
| VL   | 1500 | Intruder            | WVAL     | 02-04 | <b>MCB 682</b>      | <b>SV</b>  |            |            |                   |           |  |
| C    | 1500 | Intruder            |          | 05-08 | <b>MCB 681</b>      | <b>SV</b>  |            |            | <b>MCB 741</b>    | <b>SH</b> |  |
| C    | 1500 | Intruder            |          | 05-08 | <b>MCB 682</b>      | <b>SV</b>  |            |            |                   |           |  |





## → SUZUKI

|    |      |                    |   |        |       |                     |           |                |           |
|----|------|--------------------|---|--------|-------|---------------------|-----------|----------------|-----------|
| M  | 1500 | Intruder           | → | WVCU   | 09-   | <b>MCB 681</b>      | <b>SV</b> | <b>MCB 843</b> | <b>SH</b> |
| M  | 1500 | Intruder           | ← | WVCU   | 09-   | <b>MCB 682</b>      | <b>SV</b> |                |           |
| M  | 1600 | Intruder           | 4 | VNT60B | 05-   | <b>MCB 742 SV</b>   |           | <b>MCB 843</b> | <b>SH</b> |
| VZ | 1600 | Marauder           |   |        | 04-05 | <b>MCB 659</b>      | <b>SV</b> | <b>MCB 843</b> | <b>SH</b> |
| M  | 1800 | R, R2, RZ Intruder |   | WVCA   | 06-   | <b>MCB 752 SV *</b> |           | <b>MCB 843</b> | <b>SH</b> |
| C  | 1800 | R Intruder Touring |   | WVCA   | 08-   | <b>MCB 776 SV *</b> |           | <b>MCB 843</b> | <b>SH</b> |

## SYM

|     |     |                 |  |          |       |                |            |                |            |
|-----|-----|-----------------|--|----------|-------|----------------|------------|----------------|------------|
|     | 50  | Allo            |  |          | 11-   | <b>MCB 684</b> | <b>EC</b>  |                |            |
|     | 50  | Big Wheel       |  |          |       | <b>MCB 684</b> | <b>EC</b>  |                |            |
|     | 50  | /125 Cinderella |  |          | 01-   | <b>MCB 589</b> |            | <b>MCS 800</b> |            |
|     | 50  | Fancy           |  |          | 95-   | <b>MCB 684</b> | <b>EC</b>  | <b>MCS 800</b> |            |
|     | 50  | Fiddle          |  |          | 99-05 | <b>MCS 800</b> |            | <b>MCS 813</b> |            |
|     | 50  | Fiddle II       |  |          | 07-   | <b>MCB 684</b> | <b>EC</b>  | <b>MCS 800</b> |            |
|     | 50  | Jet 4 R, Naked  |  |          | 10-   | <b>MCB 684</b> | <b>EC</b>  |                |            |
|     | 50  | Jet, Alpha      |  | G5J      | 95-   | <b>MCB 684</b> | <b>EC</b>  | <b>MCS 800</b> |            |
|     | 50  | Jet BasiX       |  |          | 07-   | <b>MCB 684</b> | <b>EC</b>  | <b>MCS 800</b> |            |
|     | 50  | Jet Euro X      |  |          | 99-   | <b>MCB 684</b> | <b>EC</b>  | <b>MCS 800</b> |            |
|     | 50  | Jet Sport X     |  |          | 06-   | <b>MCB 708</b> | <b>EC</b>  | <b>MCB 686</b> |            |
|     | 50  | Jungle          |  | GA05W    | 96-   | <b>MCB 684</b> | <b>EC</b>  | <b>MCS 800</b> |            |
|     | 50  | Mask, LC        |  | BF05W    | 00-   | <b>MCB 684</b> | <b>EC</b>  | <b>MCS 800</b> |            |
|     | 50  | Mio             |  |          | 05-   | <b>MCB 589</b> |            | <b>MCS 800</b> |            |
|     | 50  | Orbit II        |  |          | 08-   | <b>MCB 647</b> |            | <b>MCS 800</b> |            |
|     | 50  | Pure            |  | F5B-2    | 95-   | <b>MCB 589</b> |            |                |            |
|     | 50  | Red Devil       |  | G5J      | 98-   | <b>MCB 684</b> | <b>EC</b>  | <b>MCS 800</b> |            |
|     | 50  | Shark           |  |          | 99-   | <b>MCB 779</b> |            | <b>MCS 834</b> |            |
|     | 50  | Super Fancy     |  | FT05W    | 98-   | <b>MCB 684</b> | <b>EC</b>  | <b>MCS 800</b> |            |
|     | 50  | Symphony        |  |          | 09-   | <b>MCB 684</b> | <b>EC</b>  |                |            |
|     | 50  | Symply          |  |          | 08-   | <b>MCB 684</b> | <b>EC</b>  |                |            |
|     | 50  | Wave            |  |          | 95-   | <b>MCB 590</b> | <b>EC</b>  | <b>MCS 962</b> |            |
| DD  | 50  |                 |  |          | 02-   | <b>MCB 589</b> |            | <b>MCS 800</b> |            |
| RS  | 50  |                 |  |          | 04-   | <b>MCB 779</b> |            |                |            |
|     | 100 | Jet             |  |          | 95-   | <b>MCB 684</b> | <b>EC</b>  | <b>MCS 800</b> |            |
|     | 100 | Super Fancy     |  | G5H-6    |       | <b>MCB 684</b> | <b>EC</b>  | <b>MCS 800</b> |            |
|     | 110 | Star            |  |          | 03-   | <b>MCB 684</b> | <b>EC</b>  |                |            |
|     | 125 | Allo            |  |          | 11-   | <b>MCB 684</b> | <b>EC</b>  |                |            |
|     | 125 | Attila SR       |  |          | 99-   | <b>MCB 684</b> | <b>EC</b>  | <b>MCS 800</b> |            |
|     | 125 | CityCom         |  |          | 09-   | <b>MCB 684</b> | <b>EC</b>  | <b>MCB 800</b> | <b>SRM</b> |
|     | 125 | Duke            |  |          | 95-   | <b>MCB 684</b> | <b>EC</b>  | <b>MCS 800</b> |            |
|     | 125 | Euro-MX         |  |          | 02-   | <b>MCB 779</b> |            | <b>MCS 834</b> |            |
|     | 125 | Fiddle II       |  |          | 09-   | <b>MCB 684</b> | <b>EC</b>  |                |            |
|     | 125 | Husky           |  | N125A-6  | 96-98 | <b>MCB 523</b> |            |                |            |
|     | 125 | Husky           |  | N125A-6  | 99-   | <b>MCB 719</b> |            |                |            |
|     | 125 | Jet 4           |  |          | 10-   | <b>MCB 684</b> | <b>EC</b>  |                |            |
|     | 125 | Joyride         |  | LA15W    | 01-09 | <b>MCB 779</b> |            | <b>MCB 800</b> | <b>SRM</b> |
|     | 125 | Joyride, evo    |  |          | 10-   | <b>MCB 779</b> |            | <b>MCB 800</b> | <b>SRM</b> |
|     | 125 | Megalo          |  | AK12W    | 02-   | <b>MCB 684</b> | <b>EC</b>  | <b>MCS 834</b> |            |
|     | 125 | Orbit II        |  |          | 08-   | <b>MCB 647</b> |            |                |            |
|     | 125 | /150 Shark      |  |          | 99-02 | <b>MCB 779</b> |            | <b>MCS 834</b> |            |
|     | 125 | /150 Shark 4VR  |  |          | 00-02 | <b>MCB 779</b> |            | <b>MCB 663</b> | <b>EC</b>  |
|     | 125 | Super Duke      |  | A125Q2-2 | 96-   | <b>MCB 684</b> | <b>EC</b>  | <b>MCS 800</b> |            |
|     | 125 | Symphony        |  |          | 09-   | <b>MCB 684</b> | <b>EC</b>  |                |            |
|     | 125 | Symply          |  |          | 08-   | <b>MCB 684</b> | <b>EC</b>  |                |            |
|     | 125 | Voyager         |  |          | 05-   | <b>MCB 800</b> | <b>SRM</b> | <b>MCB 800</b> | <b>SRM</b> |
| GTS | 125 | Joymax evo      |  |          | 07-   | <b>MCB 800</b> | <b>SRM</b> | <b>MCB 800</b> | <b>SRM</b> |
| HD  | 125 |                 |  |          | 04-07 | <b>MCB 712</b> | <b>SRM</b> | <b>MCS 834</b> |            |
| HD  | 125 | Evo i           |  |          | 07-   | <b>MCB 684</b> | <b>EC</b>  | <b>MCB 800</b> | <b>SRM</b> |
| VS  | 125 |                 |  |          | 06-   | <b>MCB 779</b> |            |                |            |
|     | 150 | Attila          |  | H125D    | 00-   | <b>MCB 684</b> | <b>EC</b>  | <b>MCS 800</b> |            |
|     | 150 | CityCom         |  |          | 09-   | <b>MCB 684</b> | <b>EC</b>  | <b>MCB 800</b> | <b>SRM</b> |
|     | 150 | Husky           |  |          | 99-   | <b>MCB 719</b> |            | <b>MCS 990</b> |            |
|     | 150 | Joyride         |  |          | 01-   | <b>MCB 779</b> |            | <b>MCB 712</b> | <b>SRM</b> |
|     | 150 | Super Duke      |  |          | 96-   | <b>MCB 684</b> | <b>EC</b>  | <b>MCS 800</b> |            |
| GTS | 150 |                 |  |          | 07-   | <b>MCB 800</b> | <b>SRM</b> | <b>MCB 800</b> | <b>SRM</b> |
| VS  | 150 |                 |  |          | 06-   | <b>MCB 779</b> |            |                |            |
|     | 180 | Joyride         |  |          | 01-   | <b>MCB 779</b> |            | <b>MCB 712</b> | <b>SRM</b> |
| MF  | 180 |                 |  |          | 03-   | <b>MCB 525</b> |            |                |            |
| HD  | 200 |                 |  |          | 04-07 | <b>MCB 712</b> | <b>SRM</b> | <b>MCS 834</b> |            |
| HD  | 200 | Evo i           |  |          | 07-   | <b>MCB 684</b> | <b>EC</b>  | <b>MCB 800</b> | <b>SRM</b> |





## → SYM

|     |     |                 |     |     |                     |  |            |  |                    |            |  |
|-----|-----|-----------------|-----|-----|---------------------|--|------------|--|--------------------|------------|--|
|     | 200 | Joyride         |     | 03- | <b>MCB 779</b>      |  |            |  | <b>MCB 712</b>     | <b>SRM</b> |  |
|     | 200 | Track Runner    |     | 05- | <b>MCB 760 SI *</b> |  |            |  | <b>MCB 800</b>     |            |  |
| GTS | 200 |                 | 4 ☐ | 07- | <b>MCB 706</b>      |  | <b>SRM</b> |  |                    |            |  |
|     | 250 | Voyager, Voymax | 4 ☐ | 05- | <b>MCB 732</b>      |  | <b>SRM</b> |  | <b>MCB 821</b>     | <b>SRM</b> |  |
|     | 250 | Quadlander      |     | 05- | <b>MCB 760 SI *</b> |  |            |  | <b>MCB 800</b>     |            |  |
| GTS | 250 | Joymax          | 4 ☐ | 07- | <b>MCB 732 SRM</b>  |  |            |  | <b>MCB 800 SRM</b> |            |  |
|     | 300 | City Max        |     | 06- | <b>MCB 760 SI *</b> |  |            |  | <b>MCB 800</b>     |            |  |
|     | 300 | CityCom i.      |     | 09- | <b>MCB 684</b>      |  |            |  | <b>MCB 800 SRM</b> |            |  |
|     | 300 | Quadlander      |     | 06- | <b>MCB 760 SI *</b> |  |            |  | <b>MCB 760 SI</b>  |            |  |
| GTS | 300 | Joymax evo i.   | 4 ☐ | 09- | <b>MCB 732 SRM</b>  |  |            |  | <b>MCB 800 SRM</b> |            |  |
| GT  | 500 |                 | 4 ☐ | 05- | <b>MCB 706 SRM</b>  |  |            |  | <b>MCB 712 SRM</b> |            |  |
|     | 600 | Quad Raider     |     | 08- | <b>MCB 760 SI *</b> |  |            |  | <b>MCB 760 SI</b>  |            |  |

## TGB

|     |     |                         |         |       |                     |  |           |  |                    |           |  |
|-----|-----|-------------------------|---------|-------|---------------------|--|-----------|--|--------------------|-----------|--|
|     | 50  | 101R                    |         | 05-   | <b>MCB 519</b>      |  | <b>EC</b> |  |                    |           |  |
|     | 50  | 101S, 202T, 303R        |         | 98-   | <b>MCB 519</b>      |  | <b>EC</b> |  |                    |           |  |
|     | 50  | 203R                    |         | 05-   | <b>MCB 689</b>      |  | <b>EC</b> |  |                    |           |  |
|     | 50  | 309, 409 RS             |         | 00-   | <b>MCB 519</b>      |  | <b>EC</b> |  |                    |           |  |
|     | 50  | Akros                   |         | 94-   | <b>MCB 519</b>      |  | <b>EC</b> |  | <b>MCS 990</b>     |           |  |
|     | 50  | Akros tec 5             |         | 99-   | <b>MCB 689</b>      |  | <b>EC</b> |  | <b>MCS 990</b>     |           |  |
|     | 50  | Apollo                  |         | 98-   | <b>MCB 689</b>      |  | <b>EC</b> |  |                    |           |  |
|     | 50  | Bunny                   |         | 94-   | <b>MCB 519</b>      |  | <b>EC</b> |  |                    |           |  |
|     | 50  | Bullet RS, RR           |         | 06-   | <b>MCB 765</b>      |  |           |  | <b>MCB 522</b>     |           |  |
|     | 50  | Corona Sport, Comfort   | Pegasus | 02-   | <b>MCB 523</b>      |  |           |  |                    |           |  |
|     | 50  | Ergon                   |         | 94-   | <b>MCB 519</b>      |  | <b>EC</b> |  |                    |           |  |
|     | 50  | Express                 |         | 06-   | <b>MCB 519</b>      |  | <b>EC</b> |  | <b>MCS 990</b>     |           |  |
|     | 50  | HIWS                    |         | 99-   | <b>MCB 519</b>      |  | <b>EC</b> |  |                    |           |  |
|     | 50  | KBX                     |         | 94-   | <b>MCB 519</b>      |  | <b>EC</b> |  |                    |           |  |
|     | 50  | Palio                   |         | 94-   | <b>MCB 523</b>      |  |           |  |                    |           |  |
|     | 50  | Sky                     | Pegasus | 97-   | <b>MCB 689</b>      |  | <b>EC</b> |  |                    |           |  |
|     | 50  | Tapo RS                 |         | 11-   | <b>MCB 519</b>      |  | <b>EC</b> |  |                    |           |  |
|     | 50  | Trigger                 |         | 99-   | <b>MCB 519</b>      |  | <b>EC</b> |  | <b>MCS 990</b>     |           |  |
| SKY | 50  | High wheels             | Pegasus | 02-   | <b>MCB 519</b>      |  | <b>EC</b> |  | <b>MCS 990</b>     |           |  |
|     | 90  | 101S, 202T, 303R        |         | 98-   | <b>MCB 519</b>      |  | <b>EC</b> |  |                    |           |  |
|     | 90  | Apollo                  |         | 98-   | <b>MCB 689</b>      |  | <b>EC</b> |  |                    |           |  |
|     | 125 | 101S, 202T, 303R        |         | 98-   | <b>MCB 519</b>      |  | <b>EC</b> |  | <b>MCS 962</b>     |           |  |
|     | 125 | 309, 409 RS             |         | 00-   | <b>MCB 519</b>      |  | <b>EC</b> |  | <b>MCS 962</b>     |           |  |
|     | 125 | Bullet RS, RR           |         | 08-   | <b>MCB 765</b>      |  |           |  | <b>MCB 519</b>     | <b>EC</b> |  |
|     | 125 | Corona Sport, Comfort   | Pegasus | 02-   | <b>MCB 523</b>      |  |           |  |                    |           |  |
|     | 125 | Express                 |         | 04-   | <b>MCB 765</b>      |  |           |  |                    |           |  |
|     | 125 | Sky                     | Pegasus | 97-   | <b>MCB 689</b>      |  | <b>EC</b> |  |                    |           |  |
|     | 125 | X-Large                 |         | 11-   | <b>MCB 837 SRM</b>  |  |           |  | <b>MCB 800 SRM</b> |           |  |
|     | 125 | X-Motion ie             |         | 09-   | <b>MCB 837 SRM</b>  |  |           |  | <b>MCB 800 SRM</b> |           |  |
|     | 250 | Blade                   |         | 06-07 | <b>MCB 523 SI *</b> |  |           |  | <b>MCB 519 SI</b>  | <b>EC</b> |  |
|     | 250 | Dynasty                 |         | 06-   | <b>MCB 615 SRM</b>  |  |           |  | <b>MCB 590</b>     |           |  |
|     | 250 | X-Motion ie             |         | 08-   | <b>MCB 837 SRM</b>  |  |           |  | <b>MCB 800 SRM</b> |           |  |
|     | 300 | X-Motion ie             |         | 10-   | <b>MCB 837 SRM</b>  |  |           |  | <b>MCB 800 SRM</b> |           |  |
|     | 325 | Blade                   |         | 07-   | <b>MCB 523 SI *</b> |  |           |  | <b>MCB 519 SI</b>  | <b>EC</b> |  |
|     | 325 | /400/425 Target         |         | 09-   | <b>MCB 519 SI *</b> |  | <b>EC</b> |  | <b>MCB 523 SI</b>  |           |  |
|     | 400 | /425/525 Blade SE       |         | 07-   | <b>MCB 760 SI *</b> |  |           |  | <b>MCB 760 SI</b>  |           |  |
|     | 500 | /525SL/550 Blade SE, SL |         | 07-   | <b>MCB 760 SI *</b> |  |           |  | <b>MCB 523 SI</b>  |           |  |
|     | 500 | /525/550 Target         |         | 09-   | <b>MCB 519 SI *</b> |  | <b>EC</b> |  | <b>MCB 523 SI</b>  |           |  |

## TM

|  |     |                 |  |       |                   |  |            |           |                   |            |           |
|--|-----|-----------------|--|-------|-------------------|--|------------|-----------|-------------------|------------|-----------|
|  | 80  | alle Modelle    |  | 90-93 | <b>MCB 579</b>    |  | <b>SI</b>  |           | <b>MCB 519</b>    | <b>SI</b>  | <b>EC</b> |
|  | 80  | alle Modelle    |  | 94-   | <b>MCB 648 SI</b> |  | <b>RSI</b> | <b>EC</b> | <b>MCB 672 SI</b> | <b>RSI</b> | <b>EC</b> |
|  | 80  | GS/MC           |  | -89   | <b>MCB 579</b>    |  | <b>SI</b>  |           | <b>MCB 75</b>     | <b>SI</b>  |           |
|  | 125 | GS/MC           |  | -89   | <b>MCB 579</b>    |  | <b>SI</b>  |           | <b>MCB 75</b>     | <b>SI</b>  |           |
|  | 125 |                 |  | 90-93 | <b>MCB 579</b>    |  | <b>SI</b>  |           | <b>MCB 519</b>    | <b>SI</b>  | <b>EC</b> |
|  | 125 |                 |  | 94-00 | <b>MCB 648 SI</b> |  | <b>RSI</b> | <b>EC</b> | <b>MCB 672 SI</b> | <b>RSI</b> | <b>EC</b> |
|  | 125 |                 |  | 01-04 | <b>MCB 648 SI</b> |  | <b>RSI</b> | <b>EC</b> | <b>MCB 575 SI</b> | <b>RSI</b> | <b>EC</b> |
|  | 125 |                 |  | 05-   | <b>MCB 648 SI</b> |  | <b>RSI</b> | <b>EC</b> | <b>MCB 739 SI</b> | <b>RSI</b> | <b>EC</b> |
|  | 250 | Enduro 4-stroke |  | 95-00 | <b>MCB 648 SI</b> |  | <b>RSI</b> | <b>EC</b> | <b>MCB 672 SI</b> | <b>RSI</b> | <b>EC</b> |
|  | 250 | , F             |  | 01-04 | <b>MCB 648 SI</b> |  | <b>RSI</b> | <b>EC</b> | <b>MCB 575 SI</b> | <b>RSI</b> | <b>EC</b> |
|  | 250 | , F             |  | 05-   | <b>MCB 648 SI</b> |  | <b>RSI</b> | <b>EC</b> | <b>MCB 739 SI</b> | <b>RSI</b> | <b>EC</b> |
|  | 300 |                 |  | 01-04 | <b>MCB 648 SI</b> |  | <b>RSI</b> | <b>EC</b> | <b>MCB 575 SI</b> | <b>RSI</b> | <b>EC</b> |
|  | 300 |                 |  | 05-   | <b>MCB 648 SI</b> |  | <b>RSI</b> | <b>EC</b> | <b>MCB 739 SI</b> | <b>RSI</b> | <b>EC</b> |
|  | 400 | F               |  | 00    | <b>MCB 648 SI</b> |  | <b>RSI</b> | <b>EC</b> | <b>MCB 672 SI</b> | <b>RSI</b> | <b>EC</b> |
|  | 400 | F               |  | 01    | <b>MCB 648 SI</b> |  | <b>RSI</b> | <b>EC</b> | <b>MCB 575 SI</b> | <b>RSI</b> | <b>EC</b> |





→ TM

|       |  |       |                   |            |           |  |  |                   |            |           |
|-------|--|-------|-------------------|------------|-----------|--|--|-------------------|------------|-----------|
| 450 F |  | 02-04 | <b>MCB 648 SI</b> | <b>RSI</b> | <b>EC</b> |  |  | <b>MCB 575 SI</b> | <b>RSI</b> | <b>EC</b> |
| 450 F |  | 05-   | <b>MCB 648 SI</b> | <b>RSI</b> | <b>EC</b> |  |  | <b>MCB 739 SI</b> | <b>RSI</b> | <b>EC</b> |
| 530 F |  | 01-04 | <b>MCB 648 SI</b> | <b>RSI</b> | <b>EC</b> |  |  | <b>MCB 575 SI</b> | <b>RSI</b> | <b>EC</b> |
| 530 F |  | 05-   | <b>MCB 648 SI</b> | <b>RSI</b> | <b>EC</b> |  |  | <b>MCB 739 SI</b> | <b>RSI</b> | <b>EC</b> |

### Triumph

|    |                        |               |       |                     |            |            |            |                |           |  |
|----|------------------------|---------------|-------|---------------------|------------|------------|------------|----------------|-----------|--|
|    | Thunderbird            |               | 81-   | <b>MCB 99</b>       |            |            |            |                |           |  |
|    | TSS Electro 8 Va       |               | 84-   | <b>MCB 533</b>      |            |            |            |                |           |  |
|    | TSX                    |               | 82-83 | <b>MCB 99</b>       |            |            |            | <b>MCB 99</b>  |           |  |
|    | 600 Daytona            | 806LW         | 03-04 | <b>MCB 595 *</b>    | <b>SV</b>  | <b>SRQ</b> | <b>CRQ</b> | <b>MCB 585</b> | <b>SH</b> |  |
|    | 600 Speed Four         | 806LB         | 03-   | <b>MCB 595 *</b>    | <b>SV</b>  | <b>SRQ</b> | <b>CRQ</b> | <b>MCB 585</b> | <b>SH</b> |  |
| TT | 600                    | 806AD         | 00-03 | <b>MCB 595 *</b>    | <b>SV</b>  | <b>SRQ</b> | <b>CRQ</b> | <b>MCB 585</b> | <b>SH</b> |  |
|    | 650 Daytona            | 865LX         | 05-   | <b>MCB 595 *</b>    | <b>SV</b>  | <b>SRQ</b> | <b>CRQ</b> | <b>MCB 585</b> | <b>SH</b> |  |
|    | 675 Daytona            | D67LC         | 06-08 | <b>MCB 737 SV *</b> | <b>SRQ</b> | <b>CRQ</b> |            | <b>MCB 585</b> | <b>SH</b> |  |
|    | 675 Daytona            |               | 09-   | <b>MCB 816 SV *</b> | <b>SRQ</b> | <b>CRQ</b> |            | <b>MCB 585</b> | <b>SH</b> |  |
|    | 675 Daytona R          | Radialcaliper | 11-   | <b>MCB 792 SV *</b> | <b>SRQ</b> | <b>CRQ</b> | <b>SCR</b> | <b>MCB 585</b> | <b>SH</b> |  |
|    | 675 Street Triple      | D67LD         | 08-   | <b>MCB 598 SV *</b> | <b>SRQ</b> | <b>CRQ</b> |            | <b>MCB 585</b> | <b>SH</b> |  |
|    | 675 Street Triple R    |               | 09-   | <b>MCB 737 SV *</b> | <b>SRQ</b> | <b>CRQ</b> |            | <b>MCB 585</b> | <b>SH</b> |  |
|    | 750 Bonneville 750     |               | 84-   | <b>MCB 533</b>      |            |            |            |                |           |  |
|    | 750 Bonneville T140V   |               | 75-83 | <b>MCB 99</b>       |            |            |            | <b>MCB 99</b>  |           |  |
|    | 750 Bonneville U.K.    |               | 87-   | <b>MCB 19 *</b>     |            |            |            | <b>MCB 19</b>  |           |  |
|    | 750 Daytona            | 330BEM        | 91-   | <b>MCB 595 *</b>    | <b>SV</b>  | <b>SRQ</b> | <b>CRQ</b> | <b>MCB 604</b> |           |  |
|    | 750 Trident            | ◀ T300C       | 91-   | <b>MCB 582</b>      | <b>SV</b>  |            |            | <b>MCB 582</b> | <b>SH</b> |  |
|    | 750 Trident            | ▶ T300C       | 91-   | <b>MCB 615</b>      | <b>SV</b>  |            |            |                |           |  |
|    | 750 TSS                |               | 82-83 | <b>MCB 99</b>       |            |            |            | <b>MCB 99</b>  |           |  |
|    | 800 Bonneville         | 908MD         | 01-   | <b>MCB 598</b>      | <b>SV</b>  |            |            | <b>MCB 582</b> | <b>SH</b> |  |
|    | 800 Speedmaster        | 986ML         | 03-05 | <b>MCB 598 *</b>    | <b>SV</b>  | <b>SRQ</b> |            | <b>MCB 582</b> | <b>SH</b> |  |
|    | 800 America            |               | 02-   | <b>MCB 598</b>      | <b>SV</b>  |            |            | <b>MCB 582</b> | <b>SH</b> |  |
|    | 800 Scrambler          | 986MG         | 06-   | <b>MCB 598</b>      | <b>SV</b>  |            |            | <b>MCB 582</b> | <b>SH</b> |  |
|    | 800 Tiger, XC          |               | 11-   | <b>MCB 598</b>      | <b>SV</b>  |            |            | <b>MCB 585</b> | <b>SH</b> |  |
|    | 800 Tiger XC ABS       | 4 ☐           | 12-   | <b>MCB 721 SV *</b> |            |            |            | <b>MCB 585</b> | <b>SH</b> |  |
|    | 865 America            |               | 07-   | <b>MCB 598</b>      | <b>SV</b>  |            |            | <b>MCB 582</b> | <b>SH</b> |  |
|    | 865 Speedmaster        | 986ML         | 05-   | <b>MCB 598</b>      | <b>SV</b>  |            |            | <b>MCB 582</b> | <b>SH</b> |  |
|    | 900 Bonneville         | 986MF         | 05-08 | <b>MCB 598</b>      | <b>SV</b>  |            |            | <b>MCB 582</b> | <b>SH</b> |  |
|    | 900 Bonneville         | 986MF         | 09-   | <b>MCB 598</b>      | <b>SV</b>  |            |            | <b>MCB 582</b> | <b>SH</b> |  |
|    | 900 Daytona            | T300          | 91-   | <b>MCB 595 SV *</b> | <b>SRQ</b> | <b>CRQ</b> |            | <b>MCB 582</b> | <b>SH</b> |  |
|    | 900 Daytona Super III  | T300B         | 94-   | <b>MCB 656 SV *</b> | <b>SRQ</b> |            |            | <b>MCB 582</b> | <b>SH</b> |  |
|    | 900 Legend TT          |               | 99-01 | <b>MCB 598 SV</b>   | <b>SRQ</b> |            |            | <b>MCB 599</b> | <b>SH</b> |  |
|    | 900 Speed Triple       | T300B         | 94-95 | <b>MCB 595 SV *</b> | <b>SRQ</b> | <b>CRQ</b> |            | <b>MCB 615</b> | <b>SH</b> |  |
|    | 900 Speed Triple       | T509          | 96-00 | <b>MCB 595 SV *</b> | <b>SRQ</b> | <b>CRQ</b> |            | <b>MCB 582</b> | <b>SH</b> |  |
|    | 900 Sprint             | ◀ T300        | 91-93 | <b>MCB 582</b>      | <b>SV</b>  |            |            | <b>MCB 582</b> | <b>SH</b> |  |
|    | 900 Sprint             | ▶ T300        | 91-93 | <b>MCB 615</b>      | <b>SV</b>  |            |            |                |           |  |
|    | 900 Sprint             |               | 94-00 | <b>MCB 595 *</b>    | <b>SV</b>  | <b>SRQ</b> |            | <b>MCB 582</b> | <b>SH</b> |  |
|    | 900 Thruxton           | 986ME         | 04-   | <b>MCB 598</b>      | <b>SV</b>  |            |            | <b>MCB 582</b> | <b>SH</b> |  |
|    | 900 Thunderbird, Sport |               | 95-   | <b>MCB 598</b>      | <b>SV</b>  | <b>SRQ</b> |            | <b>MCB 599</b> | <b>SH</b> |  |
|    | 900 Tiger              | ◀ T400        | 93-98 | <b>MCB 582</b>      | <b>SV</b>  |            |            | <b>MCB 582</b> | <b>SH</b> |  |
|    | 900 Tiger              | ▶ T400        | 93-98 | <b>MCB 615</b>      | <b>SV</b>  |            |            |                |           |  |
|    | 900 Tiger              | T709          | 99-01 | <b>MCB 598 *</b>    | <b>SV</b>  | <b>SRQ</b> |            | <b>MCB 599</b> | <b>SH</b> |  |
|    | 900 Trident            | ◀ T300        | 91-   | <b>MCB 582</b>      | <b>SV</b>  |            |            | <b>MCB 582</b> | <b>SH</b> |  |
|    | 900 Trident            | ▶ T300        | 91-   | <b>MCB 615</b>      | <b>SV</b>  |            |            |                |           |  |
|    | 900 Trophy             | ◀ 336DDM      | 91-92 | <b>MCB 582</b>      | <b>SV</b>  |            |            | <b>MCB 582</b> | <b>SH</b> |  |
|    | 900 Trophy             | ▶ 336DDM      | 91-92 | <b>MCB 615</b>      | <b>SV</b>  |            |            |                |           |  |
|    | 900 Trophy             |               | 93-01 | <b>MCB 595 *</b>    | <b>SV</b>  | <b>SRQ</b> | <b>CRQ</b> | <b>MCB 615</b> | <b>SH</b> |  |
|    | 955 Daytona            | T595          | 96-   | <b>MCB 595 *</b>    | <b>SV</b>  | <b>SRQ</b> | <b>CRQ</b> | <b>MCB 582</b> | <b>SH</b> |  |
|    | 955 Daytona i          | 595N          | 99-   | <b>MCB 595 *</b>    | <b>SV</b>  | <b>SRQ</b> | <b>CRQ</b> | <b>MCB 582</b> | <b>SH</b> |  |
|    | 955 Speed Triple       | 595N          | 99-   | <b>MCB 595 *</b>    | <b>SV</b>  | <b>SRQ</b> | <b>CRQ</b> | <b>MCB 582</b> | <b>SH</b> |  |
|    | 955 Sprint RS          | T695          | 99-02 | <b>MCB 595 *</b>    | <b>SV</b>  | <b>SRQ</b> |            | <b>MCB 604</b> |           |  |
|    | 955 Sprint RS          | 695AC         | 03-   | <b>MCB 595 *</b>    | <b>SV</b>  | <b>SRQ</b> |            | <b>MCB 582</b> | <b>SH</b> |  |
|    | 955 Sprint ST          | T695          | 99-   | <b>MCB 595 *</b>    | <b>SV</b>  | <b>SRQ</b> |            | <b>MCB 582</b> | <b>SH</b> |  |
|    | 955 Tiger i            |               | 01-04 | <b>MCB 598 *</b>    | <b>SV</b>  |            |            | <b>MCB 599</b> | <b>SH</b> |  |
|    | 955 Tiger i            |               | 05-   | <b>MCB 598 *</b>    | <b>SV</b>  |            |            | <b>MCB 604</b> |           |  |
|    | 1000 Daytona Sport     | 344HDM        | 91-   | <b>MCB 595 *</b>    | <b>SV</b>  | <b>SRQ</b> | <b>CRQ</b> | <b>MCB 604</b> |           |  |
|    | 1000 Trophy            | ◀             | 91-95 | <b>MCB 582</b>      | <b>SV</b>  |            |            | <b>MCB 582</b> | <b>SH</b> |  |
|    | 1000 Trophy            | ▶             | 91-95 | <b>MCB 615</b>      | <b>SV</b>  |            |            |                |           |  |
|    | 1050 Speed Triple      | 515NJ         | 05-07 | <b>MCB 737 SV *</b> | <b>SRQ</b> | <b>CRQ</b> |            | <b>MCB 582</b> | <b>SH</b> |  |
|    | 1050 Speed Triple      | 4 ☐ 515NJ     | 08-   | <b>MCB 721 SV *</b> | <b>SRQ</b> | <b>CRQ</b> |            | <b>MCB 582</b> | <b>SH</b> |  |
|    | 1050 Sprint GT ABS     |               | 11-   | <b>MCB 595 *</b>    | <b>SV</b>  | <b>SRQ</b> |            | <b>MCB 582</b> | <b>SH</b> |  |
|    | 1050 Sprint ST         | 215NA         | 05-   | <b>MCB 595 *</b>    | <b>SV</b>  | <b>SRQ</b> |            | <b>MCB 582</b> | <b>SH</b> |  |
|    | 1050 Sprint ST (ABS)   | 215NA         | 08-   | <b>MCB 595 *</b>    | <b>SV</b>  | <b>SRQ</b> |            | <b>MCB 582</b> | <b>SH</b> |  |





## → TRIUMPH

|      |                    |       |        |                     |                  |            |            |                |           |
|------|--------------------|-------|--------|---------------------|------------------|------------|------------|----------------|-----------|
| 1050 | Tiger              | 115NG | 07-    | <b>MCB 737 SV *</b> |                  |            |            | <b>MCB 615</b> | <b>SH</b> |
| 1200 | Daytona            | T300  | 93-    | <b>MCB 595 *</b>    | <b>SV</b>        | <b>SRQ</b> | <b>CRQ</b> | <b>MCB 604</b> |           |
| 1200 | Tiger Explorer     |       | 12-    | <b>MCB 595 *</b>    | <b>SV</b>        |            |            | <b>MCB 582</b> | <b>SH</b> |
| 1200 | Trophy             | ◀     | 342CSM | 91-92               | <b>MCB 582</b>   | <b>SV</b>  |            | <b>MCB 582</b> | <b>SH</b> |
| 1200 | Trophy             | ▶     | 342CSM | 91-92               | <b>MCB 615</b>   | <b>SV</b>  |            |                |           |
| 1200 | Trophy             |       | 342CSM | 93-                 | <b>MCB 595 *</b> | <b>SV</b>  | <b>SRQ</b> | <b>MCB 582</b> | <b>SH</b> |
| 1600 | Thunderbird        |       | 09-    | <b>MCB 595 *</b>    | <b>SV</b>        |            |            | <b>MCB 671</b> | <b>SH</b> |
| 1700 | Thunderbird Storm  |       | 11-    | <b>MCB 595 *</b>    | <b>SV</b>        |            |            | <b>MCB 671</b> | <b>SH</b> |
| 2300 | Rocket III         | C23XB | 04-    | <b>MCB 595 *</b>    | <b>SV</b>        |            |            | <b>MCB 671</b> | <b>SH</b> |
| 2300 | Rocket III Touring |       | 08-    | <b>MCB 595 *</b>    | <b>SV</b>        |            |            | <b>MCB 671</b> | <b>SH</b> |

## Vectrix

|  |      |  |     |                |            |  |  |                |            |
|--|------|--|-----|----------------|------------|--|--|----------------|------------|
|  | VX-1 |  | 07- | <b>MCB 648</b> | <b>SRM</b> |  |  | <b>MCB 648</b> | <b>SRM</b> |
|--|------|--|-----|----------------|------------|--|--|----------------|------------|

## Victory

|      |                  |  |       |                  |           |  |  |                |           |
|------|------------------|--|-------|------------------|-----------|--|--|----------------|-----------|
| 1500 | alle Modelle     |  | 00-06 | <b>MCB 683</b>   | <b>SV</b> |  |  | <b>MCB 671</b> | <b>SH</b> |
| 1634 | Hammer, Hammer S |  | 05-07 | <b>MCB 683</b>   | <b>SV</b> |  |  | <b>MCB 671</b> | <b>SH</b> |
| 1634 | Hammer, Hammer S |  | 08-   | <b>MCB 737 *</b> | <b>SV</b> |  |  | <b>MCB 599</b> | <b>SH</b> |
| 1634 | Kingpin          |  | 06-07 | <b>MCB 683</b>   | <b>SV</b> |  |  | <b>MCB 671</b> | <b>SH</b> |
| 1634 | Kingpin          |  | 08-   | <b>MCB 595</b>   | <b>SV</b> |  |  | <b>MCB 599</b> | <b>SH</b> |
| 1634 | Vegas, 8-Ball    |  | 06-07 | <b>MCB 683</b>   | <b>SV</b> |  |  | <b>MCB 671</b> | <b>SH</b> |
| 1634 | Vegas, 8-Ball    |  | 08-   | <b>MCB 737</b>   | <b>SV</b> |  |  | <b>MCB 599</b> | <b>SH</b> |
| 1731 | Hammer, Hammer S |  | 09-   | <b>MCB 737 *</b> | <b>SV</b> |  |  | <b>MCB 599</b> | <b>SH</b> |
| 1731 | Vegas Jackpot    |  | 09-   | <b>MCB 737</b>   | <b>SV</b> |  |  | <b>MCB 599</b> | <b>SH</b> |
| 1731 | Vision           |  | 08-   | MCB 704          | <b>SV</b> |  |  | MCB 599        | SH        |

## VOR

|    |              |  |     |                   |            |            |  |                   |            |           |
|----|--------------|--|-----|-------------------|------------|------------|--|-------------------|------------|-----------|
|    | alle Modelle |  | 02- | <b>MCB 648 SI</b> | <b>RSI</b> | <b>EC</b>  |  | <b>MCB 672 SI</b> | <b>RSI</b> | <b>EC</b> |
| SM | 400 /450     |  | 02- | <b>MCB 540</b>    | <b>SRQ</b> | <b>CRQ</b> |  | <b>MCB 672 SI</b> | <b>RSI</b> | <b>EC</b> |
| SM | 500 /530     |  | 02- | <b>MCB 540</b>    | <b>SRQ</b> | <b>CRQ</b> |  | <b>MCB 672 SI</b> | <b>RSI</b> | <b>EC</b> |

## Voxan

|      |            |    |       |                     |            |            |            |                |           |
|------|------------|----|-------|---------------------|------------|------------|------------|----------------|-----------|
| 1000 | Cafe Racer |    | 01-05 | <b>MCB 540 SV *</b> | <b>SRQ</b> | <b>CRQ</b> |            | <b>MCB 700</b> | <b>RQ</b> |
| 1000 | Cafe Racer |    | 06-   | <b>MCB 683 SV *</b> | <b>SRQ</b> | <b>CRQ</b> |            | <b>MCB 700</b> | <b>RQ</b> |
| 1000 | Roadster   |    | 01-05 | <b>MCB 540 SV *</b> | <b>SRQ</b> | <b>CRQ</b> |            | <b>MCB 700</b> | <b>RQ</b> |
| 1000 | Roadster   |    | 06-   | <b>MCB 683 SV *</b> | <b>SRQ</b> | <b>CRQ</b> |            | <b>MCB 700</b> | <b>RQ</b> |
| 1000 | Srambler   |    | 01-03 | <b>MCB 540 SV *</b> | <b>SRQ</b> | <b>CRQ</b> |            | <b>MCB 604</b> |           |
| VB1  | 1000 EVO   |    | 03-04 | <b>MCB 683 SV *</b> | <b>SRQ</b> | <b>CRQ</b> |            | <b>MCB 700</b> | <b>RQ</b> |
| GTV  | 1200       | 4☐ | 08-   | <b>MCB 721SV *</b>  | <b>SRQ</b> | <b>CRQ</b> | <b>SCR</b> | <b>MCB 700</b> | <b>RQ</b> |

## Wuyang

|    |                     |  |     |                |            |  |  |                |  |
|----|---------------------|--|-----|----------------|------------|--|--|----------------|--|
| WY | 50 QT               |  | 06- | <b>MCB 590</b> | <b>EC</b>  |  |  | <b>MCS 800</b> |  |
| WY | 125 125-12, 125-16C |  | 06- | <b>MCB 765</b> |            |  |  |                |  |
| WY | 125 125-24B         |  | 06- | <b>MCB 615</b> | <b>SRM</b> |  |  |                |  |

## Yamaha

|     |                    |             |       |                |                |           |  |                |           |
|-----|--------------------|-------------|-------|----------------|----------------|-----------|--|----------------|-----------|
| BW  | 50 Bump            | 4VA         | 97-98 | <b>MCB 674</b> | <b>EC</b>      | <b>SR</b> |  | <b>MCS 962</b> |           |
| BW  | 50 Bump            | SA05        | 99-   | <b>MCB 674</b> | <b>EC</b>      | <b>SR</b> |  | <b>MCS 962</b> |           |
| BW  | 50 Next Generation | 4,5JK1      | 96-   | <b>MCB 674</b> | <b>EC</b>      | <b>SR</b> |  | <b>MCS 962</b> |           |
| BW  | 50 Next, Spy       |             | 95-   | <b>MCB 674</b> | <b>EC</b>      | <b>SR</b> |  | <b>MCS 962</b> |           |
| BW  | 50 Sports Spec R   | SA05        | 02-   | <b>MCB 674</b> | <b>EC</b>      | <b>SR</b> |  | <b>MCS 962</b> |           |
| BW  | 50 Spy             | 4VA         | 97-98 | <b>MCB 674</b> | <b>EC</b>      | <b>SR</b> |  | <b>MCS 962</b> |           |
| BW  | 50 Spy             | SA05        | 99-   | <b>MCB 674</b> | <b>EC</b>      | <b>SR</b> |  | <b>MCS 962</b> |           |
| BWs | 50                 |             | 91-96 | <b>MCS 956</b> |                |           |  | <b>MCS 956</b> |           |
| BWs | 50 Axis            | Europe      | 3UG   | 96-            | <b>MCB 644</b> | <b>EC</b> |  | <b>MCS 962</b> |           |
| BWs | 50 Axis            | Japan       | 5AK   | 92-            | <b>MCB 590</b> | <b>SR</b> |  | <b>MCS 962</b> |           |
| CA  | 50 E               | 14T,30E,44K | 83-85 | <b>MCS 960</b> |                |           |  | <b>MCS 961</b> |           |
| CV  | 50 Beluga          |             | 90-   | <b>MCS 956</b> |                |           |  | <b>MCS 961</b> |           |
| CV  | 50 Beluga          | 39H         | -89   | <b>MCS 961</b> |                |           |  | <b>MCS 961</b> |           |
| CS  | 50 Jog R, Jog RR   | SA22        | 01-05 | <b>MCB 674</b> | <b>EC</b>      | <b>SR</b> |  | <b>MCS 962</b> |           |
| CS  | 50 Jog R, Jog RR   |             | 06-09 | <b>MCB 674</b> | <b>EC</b>      | <b>SR</b> |  |                |           |
| CV  | 50 A/R Jog         |             | 03-08 | <b>MCB 838</b> |                |           |  |                |           |
| DT  | 50 LC              |             | 98-   | <b>MCB 558</b> | <b>SI</b>      |           |  | <b>MCS 956</b> |           |
| DT  | 50 M               | 2M4,2MA     | 80-84 | <b>MCS 951</b> |                |           |  | <b>MCS 951</b> |           |
| DT  | 50 MX              | 13N         | 71-86 | <b>MCS 951</b> |                |           |  | <b>MCS 951</b> |           |
| DT  | 50 MX              | 1NN,3UM     | 87-91 | <b>MCS 956</b> |                |           |  | <b>MCS 956</b> |           |
| DT  | 50 MX              |             | 92-   | <b>MCS 962</b> |                |           |  | <b>MCS 962</b> |           |
| DT  | 50 R               | Japan       | 3MN   | 89-            | <b>MCB 539</b> | <b>SI</b> |  | <b>MCS 956</b> |           |
| DT  | 50 R               | MBK         | 96-01 | <b>MCB 578</b> |                |           |  | <b>MCS 956</b> |           |
| DT  | 50 R               |             | 02-03 | <b>MCB 578</b> |                |           |  | <b>MCB 535</b> | <b>EC</b> |





→ **YAMAHA**

|      |                          |             |       |                   |                |           |           |                   |           |           |
|------|--------------------------|-------------|-------|-------------------|----------------|-----------|-----------|-------------------|-----------|-----------|
| DT   | 50 R                     |             | 04-   | <b>MCB 735</b>    |                |           |           | <b>MCB 735</b>    |           |           |
| EW   | 50 Slider                | SA09        | 00-   | <b>MCB 701</b>    | <b>EC</b>      | <b>SR</b> |           | <b>MCS 962</b>    |           |           |
| FS1  | 50 DX                    | 1Y2         | 77-78 | <b>MCB 14</b>     |                |           |           | <b>MCS 951</b>    |           |           |
| FS1  | 50 DX                    | 3F2         | 79-   | <b>MCB 506</b>    |                |           |           | <b>MCS 951</b>    |           |           |
| FS1  | 50 G                     | 1K4         | 76-   | <b>MCS 951</b>    |                |           |           | <b>MCS 951</b>    |           |           |
| JOG  | 50 E                     |             | 88-   | <b>MCS 960</b>    |                |           |           | <b>MCS 961</b>    |           |           |
| LB2  | 50 M Chappy              | 551,1F0     | 81-84 | <b>MCS 951</b>    |                |           |           | <b>MCS 951</b>    |           |           |
| PW   | 50                       |             | 96-04 | <b>MCS 960</b>    |                |           |           | <b>MCS 960</b>    |           |           |
| PW   | 50 A-F                   | 4X4         | 90-95 | <b>MCS 960</b>    |                |           |           | <b>MCS 960</b>    |           |           |
| PW   | 50 H-F                   | 4X4         | 80-87 | <b>MCS 960</b>    |                |           |           | <b>MCS 960</b>    |           |           |
| PW   | 50 J                     | 4X4         | 82-   | <b>MCS 960</b>    |                |           |           | <b>MCS 960</b>    |           |           |
| RD   | 50                       | 2U1         | 78    | <b>MCB 14</b>     |                |           |           | <b>MCS 961</b>    |           |           |
| RD   | 50 M                     | 2E0,2L4     | 79-80 | <b>MCB 506</b>    |                |           |           | <b>MCS 951</b>    |           |           |
| RD   | 50 MX                    | 13M         | 81-84 | <b>MCB 521</b>    |                |           |           | <b>MCS 951</b>    |           |           |
| SG   | 50 Sting                 | 34N         | 84-   | <b>MCS 961</b>    |                |           |           | <b>MCS 961</b>    |           |           |
| SH   | 50 Mint                  |             | 93-   | <b>MCS 960</b>    |                |           |           | <b>MCS 961</b>    |           |           |
| SH   | 50 Razz                  |             | 93-   | <b>MCS 960</b>    |                |           |           | <b>MCS 961</b>    |           |           |
| TDR  | 50                       |             | 88-02 | <b>MCB 539</b>    | <b>SI</b>      |           |           | <b>MCB 539</b>    | <b>SI</b> |           |
| TY   | 50 M                     | 1G3,2J8     | 80    | <b>MCS 951</b>    |                |           |           | <b>MCS 951</b>    |           |           |
| TZR  | 50                       | RA03        | 03-   | <b>MCB 734</b>    |                |           |           | <b>MCB 535</b>    |           |           |
| YE   | 50 Zest                  | 4FW         | 92    | <b>MCB 644</b>    | <b>EC</b>      |           |           | <b>MCS 962</b>    |           |           |
| YE   | 50 Zest                  | Italy       | 4FW   | 93-               | <b>MCB 674</b> | <b>EC</b> | <b>SR</b> |                   |           |           |
| YE   | 50 Zest                  | Japan       | 4FW   | 93-               | <b>MCB 590</b> | <b>EC</b> |           | <b>MCS 961</b>    |           |           |
| YH   | 50 Why                   | SA03        | 99-   | <b>MCB 674</b>    | <b>EC</b>      | <b>SR</b> |           | <b>MCS 962</b>    |           |           |
| YM   | 50 Breeze                | 4RC         | 95-98 | <b>MCB 644</b>    | <b>EC</b>      |           |           | <b>MCS 956</b>    |           |           |
| YM   | 50 Breeze                | 4KH         | 95-   | <b>MCB 674</b>    | <b>EC</b>      | <b>SR</b> |           | <b>MCS 962</b>    |           |           |
| YN   | 50 Neos, LC              | 5AD/5MR/5RN | 97-02 | <b>MCB 674</b>    | <b>EC</b>      | <b>SR</b> |           | <b>MCS 962</b>    |           |           |
| YN   | 50 Neos                  | 5RN/1P9     | 03-06 | <b>MCB 674</b>    | <b>EC</b>      | <b>SR</b> |           | <b>MCS 962</b>    |           |           |
| YN   | 50 Neos                  | 5C21        | 07-   | <b>MCB 674</b>    | <b>EC</b>      | <b>SR</b> |           |                   |           |           |
| YQ   | 50 Aerox                 |             | 96    | <b>MCB 644</b>    | <b>EC</b>      |           |           | <b>MCS 956</b>    |           |           |
| YQ   | 50 Aerox                 | 5BR         | 97-00 | <b>MCB 644</b>    | <b>EC</b>      |           |           | <b>MCB 701</b>    | <b>EC</b> | <b>SR</b> |
| YQ   | 50 Aerox                 | SA14        | 01-   | <b>MCB 644</b>    | <b>EC</b>      |           |           | <b>MCB 701</b>    | <b>EC</b> | <b>SR</b> |
| BW   | 80                       |             | 86-   | <b>MCS 963</b>    |                |           |           | <b>MCS 963</b>    |           |           |
| CV   | 80 Beluga                |             | -89   | <b>MCS 962</b>    |                |           |           | <b>MCS 962</b>    |           |           |
| CV   | 80 Beluga                |             | 90-   | <b>MCS 956</b>    |                |           |           | <b>MCS 961</b>    |           |           |
| DT   | 80 LC1                   | 37A         | 81-84 | <b>MCS 953</b>    |                |           |           | <b>MCS 953</b>    |           |           |
| DT   | 80 LC2, einfache Feder   | 53V, 3WC    | 85-92 | <b>MCB 539</b>    | <b>SI</b>      |           |           | <b>MCS 953</b>    |           |           |
| DT   | 80 LC2, verstärkte Feder | 53V, 4ED1   | 85-92 | <b>MCB 539</b>    | <b>SI</b>      |           |           | <b>MCS 968</b>    |           |           |
| DT   | 80 MX                    | 5J1         | 81-83 | <b>MCS 953</b>    |                |           |           | <b>MCS 953</b>    |           |           |
| DT   | 80 MXS                   | 5T8         | 84-   | <b>MCS 956</b>    |                |           |           | <b>MCS 956</b>    |           |           |
| FS   | 80 SE                    | 5A7         | 81-84 | <b>MCS 951</b>    |                |           |           | <b>MCS 951</b>    |           |           |
| PW   | 80                       |             | 83-85 | <b>MCS 963</b>    |                |           |           | <b>MCS 956</b>    |           |           |
| PW   | 80                       |             | 91-03 | <b>MCS 961</b>    |                |           |           | <b>MCS 956</b>    |           |           |
| RD   | 80 LC1                   | 10X         | 82-84 | <b>MCB 524</b>    |                |           |           | <b>MCS 951</b>    |           |           |
| RD   | 80 LC2                   | 30W         | 83-86 | <b>MCB 539</b>    | <b>SI</b>      |           |           | <b>MCS 951</b>    |           |           |
| RD   | 80 MX                    | 5G1         | 81-84 | <b>MCB 521</b>    |                |           |           | <b>MCS 951</b>    |           |           |
| RX   | 80 SE                    | 12N         | 82-84 | <b>MCB 521</b>    |                |           |           | <b>MCS 951</b>    |           |           |
| TZR  | 80                       |             | -91   | <b>MCB 590</b>    |                |           |           | <b>MCB 539</b>    |           |           |
| TZR  | 80 R                     |             | 92-   | <b>MCB 615</b>    | <b>SV</b>      |           |           | <b>MCB 539</b>    |           |           |
| YE   | 80 Zest                  | 4MU         | 93-97 | <b>MCB 590</b>    | <b>EC</b>      |           |           | <b>MCS 961</b>    |           |           |
| YFM  | 80 G-M Badger            |             | 95-   | <b>MCS 962</b>    |                |           |           | <b>MCS 953</b>    |           |           |
| YFM  | 80 Grizzly               |             | 05-   | <b>MCS 962</b>    |                |           |           | <b>MCS 953</b>    |           |           |
| YFM  | 80 Raptor                |             | 02-   | <b>MCS 962</b>    |                |           |           | <b>MCS 953</b>    |           |           |
| YZ   | 80                       |             | 86-90 | <b>MCB 558 SI</b> |                |           |           | <b>MCS 963</b>    |           |           |
| YZ   | 80                       | 4LB         | 93-01 | <b>MCB 558 SI</b> |                |           |           | <b>MCB 561 SI</b> | <b>EC</b> |           |
| YZ   | 80                       |             | 77-79 | <b>MCS 963</b>    |                |           |           | <b>MCS 951</b>    |           |           |
| YZ   | 80                       |             | 80-85 | <b>MCS 963</b>    |                |           |           | <b>MCS 963</b>    |           |           |
| YZ   | 85                       | CB04        | 02-   | <b>MCB 558 SI</b> |                |           |           | <b>MCB 561 SI</b> | <b>EC</b> |           |
| TT-R | 90                       |             | 00-03 | <b>MCS 963</b>    |                |           |           | <b>MCS 962</b>    |           |           |
| BWs  | 100                      | Italy       | 99-   | <b>MCB 644</b>    | <b>EC</b>      |           |           | <b>MCS 953</b>    |           |           |
| BWs  | 100                      | Japan       | 99-   | <b>MCB 590</b>    | <b>EC</b>      |           |           | <b>MCS 953</b>    |           |           |
| RS   | 100                      | 4J8         | 75-76 | <b>MCS 951</b>    |                |           |           | <b>MCS 951</b>    |           |           |
| RS   | 100 DX                   | 1Y8         | 79-   | <b>MCB 14</b>     |                |           |           | <b>MCS 951</b>    |           |           |
| RSX  | 100                      | 1Y8         | 80-81 | <b>MCS 956</b>    |                |           |           | <b>MCS 956</b>    |           |           |
| YN   | 100 Neos                 | SB04        | 00-03 | <b>MCB 674</b>    | <b>EC</b>      | <b>SR</b> |           | <b>MCS 953</b>    |           |           |
| YQ   | 100 Aerox                | SB05        | 00-04 | <b>MCB 674</b>    | <b>EC</b>      | <b>SR</b> |           | <b>MCS 953</b>    |           |           |
|      | 110 Crypton              |             | 98-   | <b>MCB 539</b>    |                |           |           | <b>MCS 956</b>    |           |           |
| TT-R | 110                      |             | 08-   | <b>MCS 963</b>    |                |           |           | <b>MCS 962</b>    |           |           |
| BWs  | 125                      |             | 10-   | <b>MCB 835</b>    |                |           |           |                   |           |           |





→ YAMAHA

|      |                     |       |          |       |                    |            |            |            |            |                    |            |           |  |
|------|---------------------|-------|----------|-------|--------------------|------------|------------|------------|------------|--------------------|------------|-----------|--|
| DT   | 125 E               |       | AT2,1G0  | 74-   | <b>MCS 953</b>     |            |            |            |            | <b>MCS 953</b>     |            |           |  |
| DT   | 125 LC              |       | 10V      | 85-   | <b>MCB 539</b>     | <b>SI</b>  |            |            |            | <b>MCS 953</b>     |            |           |  |
| DT   | 125 Tenere          |       |          | 89-   | <b>MCB 539</b>     | <b>SI</b>  |            |            |            | <b>MCS 953</b>     |            |           |  |
| DT   | 125 R               |       | 3RM      | 91-95 | <b>MCB 539</b>     | <b>SI</b>  |            |            |            | <b>MCB 539</b>     | <b>SI</b>  |           |  |
| DT   | 125 R               |       | 4BL      | 96-97 | <b>MCB 539</b>     | <b>SI</b>  |            |            |            | <b>MCB 539</b>     | <b>SI</b>  |           |  |
| DT   | 125 R               |       | DE03     | 98-04 | <b>MCB 539</b>     | <b>SI</b>  |            |            |            | <b>MCB 539</b>     | <b>SI</b>  |           |  |
| DT   | 125 RE              |       | DE06     | 05-   | <b>MCB 539</b>     | <b>SI</b>  |            |            |            | <b>MCB 539</b>     | <b>SI</b>  |           |  |
| DT   | 125 X               |       |          | 05-   | <b>MCB 671</b>     | <b>SV</b>  |            |            |            | <b>MCB 625 SI</b>  | <b>RSI</b> |           |  |
| RD   | 125 DX              |       | AS3      | 75-77 | <b>MCB 14</b>      |            |            |            |            | <b>MCS 953</b>     |            |           |  |
| RD   | 125 DX              |       | 2R6      | 78-79 | <b>MCB 44</b>      |            |            |            |            | <b>MCS 955</b>     |            |           |  |
| RD   | 125 LC              |       | 10W, 11Y | 82-84 | <b>MCB 524</b>     |            |            |            |            | <b>MCS 953</b>     |            |           |  |
| RD   | 125 LC              |       | 10W, 11Y | 85-   | <b>MCB 541</b>     |            |            |            |            | <b>MCS 953</b>     |            |           |  |
| SR   | 125                 |       | 10F      | 97-   | <b>MCB 666</b>     | <b>SV</b>  |            |            |            | <b>MCS 956</b>     |            |           |  |
| SR   | 125 SE              |       |          | 92-96 | <b>MCB 524</b>     |            |            |            |            | <b>MCS 956</b>     |            |           |  |
| TDR  | 125                 | Italy |          | 91-92 | <b>MCB 579</b>     | <b>SI</b>  |            |            |            | <b>MCB 560 SI</b>  |            |           |  |
| TDR  | 125                 | Japan | 4GW1     | 93-99 | <b>MCB 666</b>     | <b>SV</b>  |            |            |            | <b>MCB 539</b>     |            |           |  |
| TT-R | 125 LW              |       | CE07     | 00-   | <b>MCB 558</b>     |            |            |            |            | <b>MCS 962</b>     |            |           |  |
| TW   | 125 Trailway        |       | DE01     | 99-02 | <b>MCB 699</b>     |            |            |            |            | <b>MCS 962</b>     |            |           |  |
| TW   | 125 Trailway        |       | DE05     | 03-   | <b>MCB 699</b>     |            |            |            |            |                    |            |           |  |
| TZ   | 125                 |       |          | 94-99 | <b>MCB 611</b>     | <b>*</b>   | <b>SV</b>  | <b>SRQ</b> | <b>CRQ</b> | <b>MCB 636</b>     |            |           |  |
| TZR  | 125                 |       |          | 89-92 | <b>MCB 530</b>     |            |            |            |            | <b>MCB 541</b>     |            |           |  |
| TZR  | 125                 |       |          | 93-   | <b>MCB 666</b>     |            | <b>SV</b>  |            |            | <b>MCB 530</b>     |            |           |  |
| TZR  | 125                 | Italy |          | 95-   | <b>MCB 540</b>     |            | <b>SV</b>  | <b>SRQ</b> | <b>CRQ</b> | <b>MCB 553</b>     |            |           |  |
| VP   | 125 X-City          |       |          | 08-   | <b>MCB 786</b>     |            | <b>SRM</b> |            |            | <b>MCB 700</b>     | <b>SRM</b> | <b>EC</b> |  |
| WR   | 125                 |       |          | 98-   | <b>MCB 574</b>     | <b>SI</b>  | <b>RSI</b> |            |            | <b>MCB 575</b>     | <b>SI</b>  |           |  |
| WR   | 125 R, X            |       |          | 09-   | <b>MCB 598</b>     | <b>SV</b>  |            |            |            | <b>MCB 672 SI</b>  | <b>RSI</b> | <b>EC</b> |  |
| XC   | 125 Beluga          |       | 50W/51F  | 85-87 | <b>MCS 953</b>     |            |            |            |            | <b>MCS 953</b>     |            |           |  |
| XC   | 125 Beluga          |       |          | 88-92 | <b>MCS 969</b>     |            |            |            |            | <b>MCS 953</b>     |            |           |  |
| XC   | 125 Beluga          |       |          | 93-   | <b>MCS 969</b>     |            |            |            |            | <b>MCS 968</b>     |            |           |  |
| XC   | 125 T, Cygnus       |       |          | 95-   | <b>MCS 969</b>     |            |            |            |            | <b>MCS 962</b>     |            |           |  |
| XC   | 125 TR Cygnus, R    |       | 4NB      | 96-   | <b>MCB 539</b>     |            |            |            |            | <b>MCS 962</b>     |            |           |  |
| XC   | 125 F, Cygnus F     |       | SE03     | 00-04 | <b>MCB 539</b>     |            |            |            |            | <b>MCS 962</b>     |            |           |  |
| NXC  | 125 Cygnus          |       |          | 05-09 | <b>MCB 774</b>     |            |            |            |            | <b>MCS 962</b>     |            |           |  |
| NXC  | 125 Cygnus          |       |          | 10-   | <b>MCB 839</b>     |            |            |            |            | <b>MCS 962</b>     |            |           |  |
| XC   | 125 Vity            |       |          | 08-   | <b>MCB 812</b>     |            |            |            |            |                    |            |           |  |
| XN   | 125 Teos            |       | SE04     | 00-03 | <b>MCB 674</b>     | <b>EC</b>  | <b>SR</b>  |            |            | <b>MCS 968</b>     |            |           |  |
| XQ   | 125 Maxster         |       | SE05     | 01-   | <b>MCB 648</b>     | <b>SRM</b> |            |            |            | <b>MCB 700</b>     | <b>SRM</b> | <b>EC</b> |  |
| XT   | 125                 |       |          | 82-   | <b>MCS 953</b>     |            |            |            |            | <b>MCS 962</b>     |            |           |  |
| XT   | 125 R               |       |          | 05-   | <b>MCB 735</b>     |            |            |            |            | <b>MCB 735</b>     |            |           |  |
| XT   | 125 X               |       |          | 05-   | <b>MCB 734</b>     |            |            |            |            | <b>MCB 735</b>     |            |           |  |
| XV   | 125 S, Virago       |       | 5AJ      | 97-   | <b>MCB 666</b>     | <b>SV</b>  |            |            |            | <b>MCS 968</b>     |            |           |  |
| XVS  | 125 Drag Star       |       | VE01     | 00-   | <b>MCB 666</b>     | <b>SV</b>  |            |            |            | <b>MCS 968</b>     |            |           |  |
| YBR  | 125 , custom        |       |          | 05-   | <b>MCB 539</b>     |            |            |            |            | <b>MCS 968</b>     |            |           |  |
| YBR  | 125                 |       |          | 08-   | <b>MCB 812</b>     |            |            |            |            |                    |            |           |  |
| YFA  | 125 Breeze          |       |          | 89-91 | <b>MCS 962</b>     |            |            |            |            | <b>MCS 953</b>     |            |           |  |
| YFA  | 125 Breeze          |       |          | 92-01 | <b>MCS 962</b>     |            |            |            |            | <b>MCS 968</b>     |            |           |  |
| YFM  | 125 Grizzly         |       |          | 04-   | <b>MCS 962</b>     |            |            |            |            | <b>MCS 968</b>     |            |           |  |
| YP   | 125 R, Majesty      |       | SE02     | 98-00 | <b>MCB 648</b>     | <b>SRM</b> |            |            |            | <b>MCS 968</b>     |            |           |  |
| YP   | 125 Majesty         |       | SE06     | 01-   | <b>MCB 648</b>     | <b>SRM</b> |            |            |            | <b>MCB 700</b>     | <b>SRM</b> | <b>EC</b> |  |
| YP   | 125 X-Max           |       |          | 06-09 | <b>MCB 786</b>     | <b>SRM</b> |            |            |            | <b>MCB 700</b>     | <b>SRM</b> | <b>EC</b> |  |
| YP   | 125 X-Max           |       |          | 10-   | <b>MCB 677</b>     |            |            |            |            | <b>MCB 700</b>     | <b>SRM</b> | <b>EC</b> |  |
| YP   | 125 X-Max ABS       |       |          | 11-   | <b>MCB 677</b>     |            |            |            |            | <b>MCB 699</b>     | <b>SRM</b> |           |  |
| YZ   | 125                 |       |          | 76-82 |                    |            |            |            |            | <b>MCS 953</b>     |            |           |  |
| YZ   | 125                 |       |          | 83    |                    |            |            |            |            | <b>MCS 964</b>     |            |           |  |
| YZ   | 125                 |       | 43M      | 84    |                    |            |            |            |            | <b>MCS 964</b>     |            |           |  |
| YZ   | 125                 |       | 55Y,1LX  | 85-86 | <b>MCB 549 SI</b>  |            |            |            |            | <b>MCS 964</b>     |            |           |  |
| YZ   | 125                 |       |          | 87    | <b>MCB 549 SI</b>  |            |            |            |            | <b>MCS 953</b>     |            |           |  |
| YZ   | 125                 |       |          | 88    | <b>MCB 549 SI</b>  |            |            |            |            | <b>MCB 539 SI</b>  |            |           |  |
| YZ   | 125                 |       |          | 89    | <b>MCB 582 SI</b>  |            | <b>RSI</b> |            |            | <b>MCB 554 SI</b>  |            |           |  |
| YZ   | 125                 |       | 4PE      | 90-97 | <b>MCB 582 SI</b>  |            | <b>RSI</b> |            |            | <b>MCB 625 SI</b>  | <b>RSI</b> |           |  |
| YZ   | 125                 |       | 4XM      | 98-02 | <b>MCB 669 SI</b>  |            | <b>RSI</b> | <b>EC</b>  |            | <b>MCB 575 SI</b>  | <b>RSI</b> | <b>EC</b> |  |
| YZ   | 125                 |       | CE10     | 03-07 | <b>MCB 669 SI</b>  |            | <b>RSI</b> | <b>EC</b>  |            | <b>MCB 739 SI</b>  | <b>RSI</b> | <b>EC</b> |  |
| YZ   | 125                 |       |          | 08-   | <b>MCB 791 SI</b>  |            | <b>RSI</b> | <b>EC</b>  |            | <b>MCB 739 SI</b>  | <b>RSI</b> | <b>EC</b> |  |
| YZF  | 125 R               |       |          | 08-   | <b>MCB 648</b>     |            |            |            |            | <b>MCB 760</b>     |            |           |  |
|      | 135 Crypton, Sniper |       |          | 06-   | <b>MCB 812</b>     |            |            |            |            |                    |            |           |  |
| XQ   | 150 Maxster         |       | 5LG      | 01-   | <b>MCB 648 SRM</b> |            |            |            |            | <b>MCB 700 SRM</b> |            |           |  |
| YP   | 150 Majesty         |       |          | 00    | <b>MCB 648 SRM</b> |            |            |            |            | <b>MCS 968</b>     |            |           |  |
| YP   | 150 Majesty         |       | SG08     | 01-   | <b>MCB 648 SRM</b> |            |            |            |            | <b>MCB 700 SRM</b> |            |           |  |
| DT   | 175                 |       | CT1      | 74-   | <b>MCS 953</b>     |            |            |            |            | <b>MCS 953</b>     |            |           |  |





→ **YAMAHA**

|     |     |                       |             |       |                     |            |            |  |                    |            |           |  |
|-----|-----|-----------------------|-------------|-------|---------------------|------------|------------|--|--------------------|------------|-----------|--|
| DT  | 175 | MX                    | 2K4,2X2,4J4 | 78-81 | <b>MCS 953</b>      |            |            |  | <b>MCS 953</b>     |            |           |  |
| XC  | 180 | Cygnus                |             | 83-   | <b>MCS 969</b>      |            |            |  | <b>MCS 953</b>     |            |           |  |
| XL  | 180 |                       | 32H         | 83-   | <b>MCS 953</b>      |            |            |  | <b>MCS 955</b>     |            |           |  |
| YP  | 180 | R Majesty             | SG12        | 03-   | <b>MCB 648 SRM</b>  |            |            |  | <b>MCB 700 SRM</b> |            |           |  |
| XC  | 185 | Beluga                |             | 93-   | <b>MCS 969</b>      |            |            |  | <b>MCS 969</b>     |            |           |  |
| BW  | 200 |                       |             | 85-   | <b>MCS 956</b>      |            |            |  | <b>MCS 956</b>     |            |           |  |
| DT  | 200 | R                     |             | 85-87 | <b>MCB 539</b>      | <b>SI</b>  |            |  | <b>MCS 953</b>     |            |           |  |
| DT  | 200 | R                     |             | 88-   | <b>MCB 539</b>      | <b>SI</b>  |            |  | <b>MCB 539</b>     | <b>SI</b>  |           |  |
| IT  | 200 | LN                    |             | 84-   | <b>MCS 964</b>      |            |            |  | <b>MCS 964</b>     |            |           |  |
| IT  | 200 | S                     |             | 87-   | <b>MCB 549</b>      |            |            |  | <b>MCS 964</b>     |            |           |  |
| RD  | 200 |                       | 2R7         | 78-   | <b>MCB 506</b>      |            |            |  | <b>MCS 955</b>     |            |           |  |
| RD  | 200 | DX                    |             | 75-77 | <b>MCB 14</b>       |            |            |  | <b>MCS 955</b>     |            |           |  |
| TT  | 200 |                       |             | 86-   | <b>MCB 539</b>      | <b>SI</b>  |            |  | <b>MCS 956</b>     |            |           |  |
| TW  | 200 |                       |             | 01-   | <b>MCB 699</b>      |            |            |  | <b>MCS 962</b>     |            |           |  |
| YFS | 200 | Blaster               |             | 03-   | <b>MCB 510 SI *</b> |            |            |  | <b>MCB 561 SI</b>  | <b>EC</b>  |           |  |
| YFS | 200 | Blaster               |             | 88-01 | <b>MCS 962</b>      |            |            |  |                    |            |           |  |
| TT  | 225 |                       |             | 87-   | <b>MCB 539</b>      | <b>SI</b>  |            |  | <b>MCS 956</b>     |            |           |  |
| XT  | 225 | Serow                 |             | 86-   | <b>MCB 539</b>      | <b>SI</b>  |            |  | <b>MCS 956</b>     |            |           |  |
| DT  | 250 |                       | 512         | 75-76 | <b>MCS 952</b>      |            |            |  | <b>MCS 955</b>     |            |           |  |
| DT  | 250 | MX                    | 1R7,4E7     | 77-82 | <b>MCS 952</b>      |            |            |  | <b>MCS 955</b>     |            |           |  |
| FZR | 250 |                       |             | 87-88 | <b>MCB 559</b>      | <b>SV</b>  |            |  | <b>MCB 541</b>     | <b>SH</b>  |           |  |
| FZR | 250 | R                     |             | 89-   | <b>MCB 616</b>      |            |            |  | <b>MCB 541</b>     |            |           |  |
| IT  | 250 |                       |             | 84    |                     |            |            |  | <b>MCS 955</b>     |            |           |  |
| IT  | 250 |                       |             | 85-   | <b>MCB 539</b>      | <b>SI</b>  |            |  | <b>MCS 955</b>     |            |           |  |
| RD  | 250 |                       | 522         | 73-76 | <b>MCB 44</b>       |            |            |  | <b>MCS 954</b>     |            |           |  |
| RD  | 250 |                       | 1A2         | 77    | <b>MCB 44</b>       |            |            |  | <b>MCB 44</b>      |            |           |  |
| RD  | 250 |                       | 1A2         | 78-79 | <b>MCB 503</b>      |            |            |  | <b>MCB 503</b>     |            |           |  |
| RD  | 250 | LC                    | 4L1         | 80    | <b>MCB 507</b>      |            |            |  | <b>MCS 954</b>     |            |           |  |
| RD  | 250 | LC                    | 4L1, 4L2    | 81-82 | <b>MCB 521</b>      |            |            |  | <b>MCS 954</b>     |            |           |  |
| RD  | 250 | LC                    | 4L1, 4L2    | 83-   | <b>MCB 524</b>      |            |            |  | <b>MCB 530</b>     |            |           |  |
| SR  | 250 | E                     | Spain       | 90-94 | <b>MCB 524</b>      |            |            |  | <b>MCS 953</b>     |            |           |  |
| SR  | 250 | SE                    | 3Y8         | 80-83 | <b>MCS 952</b>      |            |            |  | <b>MCS 953</b>     |            |           |  |
| TDR | 250 |                       | 3CK1        | 88-90 | <b>MCB 559</b>      |            |            |  | <b>MCB 541</b>     |            |           |  |
| TT  | 250 |                       |             | 95-96 | <b>MCB 582 SI</b>   | <b>RSI</b> |            |  | <b>MCB 625 SI</b>  |            |           |  |
| TZ  | 250 | GP                    |             | 90-   | <b>MCB 595 *</b>    | <b>SRQ</b> |            |  | <b>MCB 636</b>     |            |           |  |
| TZR | 250 |                       | 2MA, 2XW    | 85-88 | <b>MCB 559</b>      | <b>SV</b>  |            |  | <b>MCB 541</b>     | <b>SH</b>  |           |  |
| TZR | 250 |                       | 3MA, 2XW    | 89-92 | <b>MCB 611 SV</b>   | <b>SRQ</b> | <b>CRQ</b> |  | <b>MCB 541</b>     | <b>SH</b>  |           |  |
| VP  | 250 | X-City                |             | 08-   | <b>MCB 786</b>      |            |            |  | <b>MCB 699</b>     |            |           |  |
| WR  | 250 |                       | 4JW         | 94-97 | <b>MCB 582 SI</b>   | <b>RSI</b> |            |  | <b>MCB 625 SI</b>  | <b>RSI</b> |           |  |
| WR  | 250 |                       | 4SR         | 98-02 | <b>MCB 669 SI</b>   | <b>RSI</b> | <b>EC</b>  |  | <b>MCB 575 SI</b>  | <b>RSI</b> | <b>EC</b> |  |
| WR  | 250 | F                     | CG          | 01-02 | <b>MCB 669 SI</b>   | <b>RSI</b> | <b>EC</b>  |  | <b>MCB 575 SI</b>  | <b>RSI</b> | <b>EC</b> |  |
| WR  | 250 | F                     | CG          | 03-   | <b>MCB 669 SI</b>   | <b>RSI</b> | <b>EC</b>  |  | <b>MCB 739 SI</b>  | <b>RSI</b> | <b>EC</b> |  |
| WR  | 250 | R                     |             | 08-   | <b>MCB 669 SI</b>   | <b>RSI</b> | <b>EC</b>  |  | <b>MCB 739 SI</b>  | <b>RSI</b> | <b>EC</b> |  |
| WR  | 250 | X                     |             | 08-   | <b>MCB 598</b>      | <b>SV</b>  | <b>SRQ</b> |  | <b>MCB 739 SI</b>  | <b>RSI</b> | <b>EC</b> |  |
| XG  | 250 | Tricker               |             | 05-   | <b>MCB 699</b>      |            |            |  | <b>MCB 625 SI</b>  |            |           |  |
| XS  | 250 | SE,SF                 | 4A2,1U5     | 80-   | <b>MCB 68</b>       |            |            |  | <b>MCS 958</b>     |            |           |  |
| XT  | 250 |                       | 3Y3, 4Y1    | 80-87 | <b>MCS 953</b>      |            |            |  | <b>MCS 953</b>     |            |           |  |
| XV  | 250 | S Virago              | 3LW         | 95-97 | <b>MCB 666</b>      | <b>SV</b>  |            |  | <b>MCS 953</b>     |            |           |  |
| XV  | 250 | S Virago              | VG01        | 98-   | <b>MCB 666</b>      | <b>SV</b>  |            |  | <b>MCS 953</b>     |            |           |  |
| XV  | 250 | Virago                |             | 88    | <b>MCB 524</b>      |            |            |  | <b>MCS 953</b>     |            |           |  |
| XV  | 250 | Virago                | 3LS, 3LW    | 89-94 | <b>MCB 524</b>      |            |            |  | <b>MCS 953</b>     |            |           |  |
| XVS | 250 | Drag Star             | VG03        | 01-   | <b>MCB 666</b>      | <b>SV</b>  |            |  | <b>MCS 953</b>     |            |           |  |
| YBR | 250 |                       |             | 07-   | <b>MCB 615</b>      |            |            |  |                    |            |           |  |
| YFM | 250 | XLC/XL/X Bear Tracker |             | 99-00 | <b>MCS 833</b>      |            |            |  | <b>MCS 833</b>     |            |           |  |
| YFM | 250 | Bear Tracker          |             | 01-   | <b>MCB 510 SI *</b> |            |            |  |                    |            |           |  |
| YFM | 250 | Bruin                 |             | 05-   | <b>MCB 510 SI *</b> |            |            |  |                    |            |           |  |
| YFM | 250 | Timberwolf            | YFB250G     | 94-00 | <b>MCS 833 *</b>    |            |            |  | <b>MCS 833</b>     |            |           |  |
| YP  | 250 | D Majesty DX          | SG02        | 98-   | <b>MCB 666 SRM</b>  |            |            |  | <b>MCB 699 SRM</b> |            |           |  |
| YP  | 250 | Majesty               | 4UC         | 96-   | <b>MCB 666 SRM</b>  |            |            |  | <b>MCS 958</b>     |            |           |  |
| YP  | 250 | Majesty DX/ABS        | SG04        | 99-   | <b>MCB 666 SRM</b>  |            |            |  | <b>MCB 699 SRM</b> |            |           |  |
| YP  | 250 | X-Max                 |             | 06-09 | <b>MCB 786 SRM</b>  |            |            |  | <b>MCB 699 SRM</b> |            |           |  |
| YP  | 250 | X-Max, Black X-Max    |             | 10-   | <b>MCB 631 SRM</b>  |            |            |  | <b>MCB 699 SRM</b> |            |           |  |
| YZ  | 250 |                       | 2HH         | 85-87 | <b>MCB 549 SI</b>   |            |            |  | <b>MCS 953</b>     |            |           |  |
| YZ  | 250 |                       |             | 88    | <b>MCB 549 SI</b>   |            |            |  | <b>MCB 539 SI</b>  |            |           |  |
| YZ  | 250 |                       | V           | 89    | <b>MCB 582 SI</b>   | <b>RSI</b> |            |  | <b>MCB 554 SI</b>  |            |           |  |
| YZ  | 250 |                       |             | 90-97 | <b>MCB 582 SI</b>   | <b>RSI</b> |            |  | <b>MCB 625 SI</b>  | <b>RSI</b> |           |  |
| YZ  | 250 |                       | 4XL         | 98-02 | <b>MCB 669 SI</b>   | <b>RSI</b> | <b>EC</b>  |  | <b>MCB 575 SI</b>  | <b>RSI</b> | <b>EC</b> |  |
| YZ  | 250 |                       | CG          | 03-07 | <b>MCB 669 SI</b>   | <b>RSI</b> | <b>EC</b>  |  | <b>MCB 739 SI</b>  | <b>RSI</b> | <b>EC</b> |  |
| YZ  | 250 |                       |             | 08-   | <b>MCB 791 SI</b>   | <b>RSI</b> | <b>EC</b>  |  | <b>MCB 739 SI</b>  | <b>RSI</b> | <b>EC</b> |  |







→ YAMAHA

|     |     |                    |               |       |                      |            |           |                    |            |           |
|-----|-----|--------------------|---------------|-------|----------------------|------------|-----------|--------------------|------------|-----------|
| YZ  | 250 | F                  | CG            | 01-06 | <b>MCB 669 SI</b>    | <b>RSI</b> | <b>EC</b> | <b>MCB 739 SI</b>  | <b>RSI</b> | <b>EC</b> |
| YZ  | 250 | F                  |               | 07-   | <b>MCB 791 SI</b>    | <b>RSI</b> |           | <b>MCB 739 SI</b>  | <b>RSI</b> |           |
| VP  | 300 | Versity            | SH01          | 03-05 | <b>MCB 648 SRM</b>   |            |           | <b>MCB 648 SRM</b> |            |           |
| XC  | 300 | Versity            |               | 06-   | <b>MCB 631 SRM</b>   |            |           | <b>MCB 648 SRM</b> |            |           |
| RD  | 350 |                    | 521           | 73-79 | <b>MCB 44</b>        |            |           | <b>MCS 954</b>     |            |           |
| RD  | 350 | F                  | 1WW           | 85    | <b>MCB 541 *</b>     |            |           | <b>MCB 541</b>     |            |           |
| RD  | 350 | LC                 | 4L0           | 80    | <b>MCB 507 *</b>     |            |           | <b>MCS 954</b>     |            |           |
| RD  | 350 | LC                 | 4L0           | 81-82 | <b>MCB 521 *</b>     |            |           | <b>MCS 954</b>     |            |           |
| RD  | 350 | LC, LCF            | 1WW, 1WX      | 86-90 | <b>MCB 541 *</b>     |            |           | <b>MCB 541</b>     |            |           |
| RD  | 350 | LC, YPVS           | 31K, 1JF, 1JG | 85    | <b>MCB 541 *</b>     |            |           | <b>MCB 541</b>     |            |           |
| RD  | 350 | LC, YPVS           | 31K, 31W      | 83-84 | <b>MCB 524 *</b>     |            |           | <b>MCB 530</b>     |            |           |
| TT  | 350 |                    |               | 86-   | <b>MCB 549</b>       | <b>SI</b>  |           | <b>MCS 953</b>     |            |           |
| TT  | 350 |                    |               | 95-   | <b>MCB 582</b>       | <b>SI</b>  |           | <b>MCB 625 SI</b>  |            |           |
| XT  | 350 |                    | 3YT1,3YT3     | 91-94 | <b>MCB 539</b>       | <b>SI</b>  |           | <b>MCS 953</b>     |            |           |
| XT  | 350 | H,N                | 55V,59Y       | 85-90 | <b>MCB 539</b>       | <b>SI</b>  |           | <b>MCS 953</b>     |            |           |
| YFM | 350 | Bruin 2x4,4x4      |               | 04-   | <b>MCB 510 SI *</b>  |            |           |                    |            |           |
| YFM | 350 | FWB L,LC Big Bear  | 4WU           | 99    | <b>MCB 510 SI *</b>  |            |           | <b>MCS 958</b>     |            |           |
| YFM | 350 | FXG-FXM Wolverine  | 4KB           | 95-04 | <b>MCB 510 SI *</b>  |            |           | <b>MCB 561 SI</b>  | <b>EC</b>  |           |
| YFM | 350 | R Raptor           |               | 04-   | <b>MCB 561 SI *</b>  | <b>EC</b>  |           |                    |            |           |
| YFM | 350 | UH,UJ,UK           |               | 96-98 |                      |            |           | <b>MCS 833</b>     |            |           |
| YFM | 350 | X Warrior          |               | 89-04 | <b>MCB 510 SI *</b>  |            |           | <b>MCB 554 SI</b>  |            |           |
| YFZ | 350 | Banshee            |               | 90-04 | <b>MCB 510 SI *</b>  |            |           | <b>MCB 554 SI</b>  |            |           |
| XS  | 360 | SE                 | 1U4           |       | <b>MCB 68</b>        |            |           | <b>MCS 958</b>     |            |           |
| DT  | 400 | MX                 | 1R6,513       | 77-79 | <b>MCS 952</b>       |            |           | <b>MCS 955</b>     |            |           |
| FZR | 400 |                    |               | 86-   | <b>MCB 530 *</b>     |            |           | <b>MCB 541</b>     |            |           |
| FZR | 400 | R                  |               | 87-89 | <b>MCB 559 *</b>     | <b>SV</b>  |           | <b>MCB 530</b>     |            |           |
| FZR | 400 | R                  | 3TJ, 4DX      | 90-   | <b>MCB 616 *</b>     |            |           | <b>MCB 541</b>     |            |           |
| RD  | 400 |                    | 1A3           | 78-79 | <b>MCB 503</b>       |            |           | <b>MCB 503</b>     |            |           |
| RD  | 400 | S                  | 1A3           | 77    | <b>MCB 44</b>        |            |           | <b>MCB 44</b>      |            |           |
| WR  | 400 | F                  | CH02          | 98    | <b>MCB 669 SI</b>    | <b>RSI</b> | <b>EC</b> | <b>MCB 625 SI</b>  | <b>RSI</b> |           |
| WR  | 400 | F                  | CH04          | 99-02 | <b>MCB 669 SI</b>    | <b>RSI</b> | <b>EC</b> | <b>MCB 575 SI</b>  | <b>RSI</b> | <b>EC</b> |
| XJ  | 400 | Diversion          |               | 91-94 | <b>MCB 640</b>       | <b>SV</b>  |           | <b>MCB 541</b>     |            |           |
| XJR | 400 | R                  | 4HM           | 95-   | <b>MCB 640 *</b>     | <b>SV</b>  |           | <b>MCB 530</b>     | <b>SH</b>  |           |
| XS  | 400 |                    | 2 A2          | 77-82 | <b>MCB 68</b>        |            |           | <b>MCB 68</b>      |            |           |
| XS  | 400 | DOHC               | 12F,12E       | 82-84 | <b>MCB 524</b>       |            |           | <b>MCS 958</b>     |            |           |
| XS  | 400 | SE                 | 2A2,4A3,4G5   | 80-83 | <b>MCB 503</b>       |            |           | <b>MCS 958</b>     |            |           |
| XV  | 400 | Virago             |               | 88-   | <b>MCB 587</b>       |            |           | <b>MCS 957</b>     |            |           |
| XVS | 400 | Drag Star          |               | 96-   | <b>MCB 640</b>       | <b>SV</b>  |           | <b>MCS 957</b>     |            |           |
| YFM | 400 | FAM Kodiak         |               | 93-99 |                      |            |           | <b>MCS 958</b>     |            |           |
| YFM | 400 | FAM Kodiak         | AJ03          | 00-   | <b>MCB 510 SI *</b>  |            |           | <b>MCB 724 SI</b>  |            |           |
| YFM | 400 | FWN Big Bear 4WD   | AJ03          | 00-   | <b>MCB 510 SI *</b>  |            |           | <b>MCB 724 SI</b>  |            |           |
| YFM | 400 | FWNH Big B.-Buckm. | VJ06          | 00-   | <b>MCB 510 SI *</b>  |            |           | <b>MCB 724 SI</b>  |            |           |
| YFM | 400 | FWP Big Bear 4WD   | VJ06          | 02-   | <b>MCB 561 SI *</b>  | <b>EC</b>  |           | <b>MCS 958</b>     |            |           |
| YFM | 400 | N Big Bear 2WD     | VJ06          | 00-   | <b>MCB 510 SI *</b>  |            |           | <b>MCB 724 SI</b>  |            |           |
| YP  | 400 | Majesty            |               | 04    | <b>MCB 640 SRM</b>   |            |           | <b>MCB 768 SRM</b> |            |           |
| YP  | 400 | Majesty, ABS       |               | 05-   | <b>MCB 666 SRM *</b> |            |           | <b>MCB 768 SRM</b> |            |           |
| YZ  | 400 | F                  | CH01          | 98    | <b>MCB 669 SI</b>    | <b>RSI</b> | <b>EC</b> | <b>MCB 625 SI</b>  | <b>RSI</b> |           |
| YZ  | 400 | F                  | CH03          | 99    | <b>MCB 669 SI</b>    | <b>RSI</b> | <b>EC</b> | <b>MCB 575 SI</b>  | <b>RSI</b> | <b>EC</b> |
| WR  | 426 | F                  | CJ02          | 01-02 | <b>MCB 669 SI</b>    | <b>RSI</b> | <b>EC</b> | <b>MCB 575 SI</b>  | <b>RSI</b> | <b>EC</b> |
| YZ  | 426 | F                  | CJ01          | 00-02 | <b>MCB 669 SI</b>    | <b>RSI</b> | <b>EC</b> | <b>MCB 575 SI</b>  | <b>RSI</b> | <b>EC</b> |
| WR  | 450 | F                  | CJ04          | 03-   | <b>MCB 669 SI</b>    | <b>RSI</b> | <b>EC</b> | <b>MCB 739 SI</b>  | <b>RSI</b> | <b>EC</b> |
| YFM | 450 | FAR/FAS Kodiak     |               | 03-04 | <b>MCB 510 SI *</b>  |            |           | <b>MCB 724 SI</b>  |            |           |
| YFM | 450 | FAT/FAV Kodiak     |               | 05-06 | <b>MCB 510 SI *</b>  |            |           | <b>MCB 724 SI</b>  |            |           |
| YFM | 450 | Wolverine          | ➔             | 06-07 | <b>MCB 615 SI</b>    |            |           | <b>MCB 724 SI</b>  |            |           |
| YFM | 450 | Wolverine          | ➔             | 06-07 | <b>MCB 582 SI</b>    |            |           |                    |            |           |
| YFM | 450 | Grizzly            |               | 07-   | <b>MCB 510 SI *</b>  |            |           | <b>MCB 724 SI</b>  |            |           |
| YFZ | 450 |                    | ➔             | 04-05 | <b>MCB 615 SI</b>    |            |           | <b>MCB 561</b>     | <b>SI</b>  | <b>EC</b> |
| YFZ | 450 |                    | ➔             | 04-05 | <b>MCB 582 SI</b>    |            |           |                    |            |           |
| YFZ | 450 |                    | ➔             | 06-   | <b>MCB 615 SI</b>    |            |           | <b>MCB 685</b>     |            |           |
| YFZ | 450 |                    | ➔             | 06-   | <b>MCB 582 SI</b>    |            |           |                    |            |           |
| YZ  | 450 | F                  | CJ03, CJ05    | 03-07 | <b>MCB 669 SI</b>    | <b>RSI</b> | <b>EC</b> | <b>MCB 739 SI</b>  | <b>RSI</b> | <b>EC</b> |
| YZ  | 450 | F                  |               | 08-   | <b>MCB 791 SI</b>    | <b>RSI</b> | <b>EC</b> | <b>MCB 739 SI</b>  | <b>RSI</b> | <b>EC</b> |
| YZ  | 490 |                    | 23X, 43R      | 81-84 |                      |            |           | <b>MCS 955</b>     |            |           |
| YZ  | 490 |                    | 57H, 1LV, 2HJ | 85-88 | <b>MCB 549 SI</b>    |            |           | <b>MCS 955</b>     |            |           |
| RD  | 500 | LC                 | 47X, 1GE      | 84-85 | <b>MCB 530 *</b>     |            |           | <b>MCB 541</b>     |            |           |
| SR  | 500 |                    | 2J2, 2J4      | 78-84 | <b>MCB 68</b>        |            |           | <b>MCS 955</b>     |            |           |
| SR  | 500 |                    | 48T, 1RU      | 85-87 | <b>MCB 68</b>        |            |           | <b>MCS 955</b>     |            |           |
| SR  | 500 |                    | 48T, 3EB      | 88-90 | <b>MCS 967</b>       |            |           | <b>MCS 955</b>     |            |           |
| SR  | 500 |                    | 48T, 3EB2     | 91    | <b>MCS 967</b>       |            |           | <b>MCS 955</b>     |            |           |





→ YAMAHA

|     |     |                       |               |       |                      |  |           |  |            |  |            |            |  |                    |  |            |           |
|-----|-----|-----------------------|---------------|-------|----------------------|--|-----------|--|------------|--|------------|------------|--|--------------------|--|------------|-----------|
| SR  | 500 |                       | 48T, 3EB      | 92-   | <b>MCS 967</b>       |  |           |  |            |  |            |            |  | <b>MCS 955</b>     |  |            |           |
| WR  | 500 |                       |               | 91-   | <b>MCB 582 SI</b>    |  |           |  |            |  |            |            |  | <b>MCB 625 SI</b>  |  |            |           |
| XP  | 500 | T MAX                 | SJ01          | 01-03 | <b>MCB 640 SRM</b>   |  |           |  |            |  |            |            |  | <b>MCB 722 SRM</b> |  |            |           |
| XP  | 500 | T MAX                 | 5VU           | 04-07 | <b>MCB 666 SRM *</b> |  |           |  |            |  |            |            |  | <b>MCB 768 SRM</b> |  |            |           |
| XP  | 500 | T MAX, ABS            | 4B5           | 08-   | <b>MCB 611 SRM *</b> |  |           |  |            |  |            |            |  | <b>MCB 768 SRM</b> |  |            |           |
| XT  | 500 |                       | 1U6, 56U      | 86-89 | <b>MCB 539</b>       |  | <b>SI</b> |  |            |  |            |            |  | <b>MCS 955</b>     |  |            |           |
| XT  | 500 |                       | 1U6, 4E5      | 76-82 | <b>MCS 952</b>       |  |           |  |            |  |            |            |  | <b>MCS 955</b>     |  |            |           |
| XT  | 500 | Austria               | 1U6           | 83-   | <b>MCB 524</b>       |  |           |  |            |  |            |            |  | <b>MCS 955</b>     |  |            |           |
| XV  | 500 |                       | 26R           | 83-   | <b>MCB 524</b>       |  |           |  |            |  |            |            |  | <b>MCS 950</b>     |  |            |           |
| XP  | 530 | Tmax                  |               | 12-   | <b>MCB 611 SRM *</b> |  |           |  |            |  |            |            |  | <b>MCB 768 SRM</b> |  |            |           |
| XV  | 535 | DX Virago             | VJ01          | 99-03 | <b>MCB 640</b>       |  | <b>SV</b> |  |            |  |            |            |  | <b>MCS 957</b>     |  |            |           |
| XV  | 535 | Virago                | 3BR,2YL       | 88-94 | <b>MCB 587</b>       |  |           |  |            |  |            |            |  | <b>MCS 957</b>     |  |            |           |
| XV  | 535 | Virago                | 3BR           | 95-98 | <b>MCB 640</b>       |  | <b>SV</b> |  |            |  |            |            |  | <b>MCS 957</b>     |  |            |           |
| XJ  | 550 |                       | 4V9,4V8       | 81-   | <b>MCB 521 *</b>     |  |           |  |            |  |            |            |  | <b>MCS 950</b>     |  |            |           |
| XJ  | 550 |                       | 27A,4V8       | 83    | <b>MCB 524 *</b>     |  |           |  |            |  |            |            |  | <b>MCS 950</b>     |  |            |           |
| XT  | 550 |                       | 5Y3, 5Y5, 28E | 82-83 | <b>MCS 955</b>       |  |           |  |            |  |            |            |  | <b>MCS 955</b>     |  |            |           |
| XZ  | 550 |                       | 11U, 11V      | 83-   | <b>MCB 524 *</b>     |  |           |  |            |  |            |            |  | <b>MCS 950</b>     |  |            |           |
| YFM | 550 | Grizzly               |               | 09-   | <b>MCB 801 SI</b>    |  |           |  |            |  |            |            |  | <b>MCB 803 SI</b>  |  |            |           |
| YFM | 550 | Grizzly               |               | 09-   | <b>MCB 802 SI</b>    |  |           |  |            |  |            |            |  | <b>MCB 804 SI</b>  |  |            |           |
| FZ  | 600 |                       |               | 86-87 | <b>MCB 530 *</b>     |  |           |  |            |  |            |            |  | <b>MCB 530</b>     |  |            |           |
| FZ6 | 600 |                       | RJ07          | 04-06 | <b>MCB 666 *</b>     |  | <b>SV</b> |  |            |  |            |            |  | <b>MCB 634</b>     |  | <b>SH</b>  |           |
| FZ6 | 600 | ABS                   | RJ14          | 07-09 | <b>MCB 666 *</b>     |  | <b>SV</b> |  |            |  |            |            |  | <b>MCB 634</b>     |  | <b>SH</b>  |           |
| FZ6 | 600 | Fazer                 | RJ07          | 04-06 | <b>MCB 666 *</b>     |  | <b>SV</b> |  |            |  |            |            |  | <b>MCB 634</b>     |  | <b>SH</b>  |           |
| FZ6 | 600 | S2 ABS                | RJ14          | 07-09 | <b>MCB 611 *</b>     |  | <b>SV</b> |  | <b>SRQ</b> |  |            |            |  | <b>MCB 634</b>     |  | <b>SH</b>  |           |
| FZ6 | 600 | Fazer S2 ABS          | RJ14          | 07-09 | <b>MCB 611 *</b>     |  | <b>SV</b> |  | <b>SRQ</b> |  |            |            |  | <b>MCB 634</b>     |  | <b>SH</b>  |           |
| FZR | 600 | H,M,N                 | 3HE, 3RG      | 90-93 | <b>MCB 622 *</b>     |  | <b>SV</b> |  |            |  |            |            |  | <b>MCB 530</b>     |  | <b>SH</b>  |           |
| FZR | 600 | M,N                   | 3RG, 3RH      | 89    | <b>MCB 530 *</b>     |  | <b>SV</b> |  |            |  |            |            |  | <b>MCB 530</b>     |  | <b>SH</b>  |           |
| FZR | 600 | R                     | 4JH, 4MH      | 94-96 | <b>MCB 622 *</b>     |  | <b>SV</b> |  |            |  |            |            |  | <b>MCB 530</b>     |  | <b>SH</b>  |           |
| FZS | 600 | Fazer                 | RJ02          | 98-03 | <b>MCB 611 *</b>     |  | <b>SV</b> |  | <b>SRQ</b> |  |            |            |  | <b>MCB 541</b>     |  | <b>SH</b>  |           |
| SRX | 600 |                       | 1XL,1XM       | 86-87 | <b>MCB 541 *</b>     |  |           |  |            |  |            |            |  | <b>MCB 541</b>     |  |            |           |
| SRX | 600 | H,N                   | 1XL,1XM       | 88-89 | <b>MCB 559</b>       |  |           |  |            |  |            |            |  | <b>MCB 541</b>     |  |            |           |
| SRX | 600 | H,N                   | 1XL,1XM       | 90-   | <b>MCB 584</b>       |  | <b>SV</b> |  |            |  |            |            |  | <b>MCB 541</b>     |  | <b>SH</b>  |           |
| TT  | 600 |                       | 36A           | 83-84 |                      |  |           |  |            |  |            |            |  | <b>MCS 953</b>     |  |            |           |
| TT  | 600 |                       | 59X, 2AG, 2JT | 85-88 | <b>MCB 539</b>       |  | <b>SI</b> |  |            |  |            |            |  | <b>MCS 953</b>     |  |            |           |
| TT  | 600 |                       | 59X           | 90-92 | <b>MCB 549</b>       |  | <b>SI</b> |  |            |  |            |            |  | <b>MCS 953</b>     |  |            |           |
| TT  | 600 |                       | 59X           | 89    | <b>MCB 568</b>       |  | <b>SV</b> |  |            |  |            |            |  | <b>MCS 953</b>     |  |            |           |
| TT  | 600 | E, S                  | 4GV           | 93-95 | <b>MCB 648 SV</b>    |  | <b>SI</b> |  | <b>RSI</b> |  | <b>EC</b>  |            |  | <b>MCB 625 SI</b>  |  | <b>RSI</b> |           |
| TT  | 600 | E, S                  | 4LW           | 96-98 | <b>MCB 648 SV</b>    |  | <b>SI</b> |  | <b>RSI</b> |  | <b>EC</b>  |            |  | <b>MCB 672 SH</b>  |  | <b>SI</b>  | <b>EC</b> |
| TT  | 600 | R                     | 4LW, DJ01     | 98-04 | <b>MCB 648 SV</b>    |  | <b>SI</b> |  | <b>RSI</b> |  | <b>EC</b>  |            |  | <b>MCB 672 SH</b>  |  | <b>SI</b>  | <b>EC</b> |
| XJ  | 600 |                       | 51J, 51H      | 84-91 | <b>MCB 530 *</b>     |  |           |  |            |  |            |            |  | <b>MCB 530</b>     |  |            |           |
| XJ  | 600 |                       | 3KM, 3KN      | 91    | <b>MCB 530 *</b>     |  | <b>SV</b> |  |            |  |            |            |  | <b>MCB 530</b>     |  | <b>SH</b>  |           |
| XJ  | 600 | N                     | 4BR, 4LX      | 94-97 | <b>MCB 640</b>       |  | <b>SV</b> |  |            |  |            |            |  | <b>MCB 541</b>     |  | <b>SH</b>  |           |
| XJ  | 600 | N                     | RJ01          | 98-   | <b>MCB 666 *</b>     |  | <b>SV</b> |  |            |  |            |            |  | <b>MCB 541</b>     |  | <b>SH</b>  |           |
| XJ  | 600 | S Diversion           | 4BR           | 92-97 | <b>MCB 640</b>       |  | <b>SV</b> |  |            |  |            |            |  | <b>MCB 541</b>     |  | <b>SH</b>  |           |
| XJ  | 600 | S Diversion           | 4LX           | 94-97 | <b>MCB 640</b>       |  | <b>SV</b> |  |            |  |            |            |  | <b>MCB 541</b>     |  | <b>SH</b>  |           |
| XJ  | 600 | S Diversion           | RJ01          | 98-03 | <b>MCB 666 *</b>     |  | <b>SV</b> |  |            |  |            |            |  | <b>MCB 541</b>     |  | <b>SH</b>  |           |
| XJ6 | 600 | , Diversion/ ABS      | RJ19          | 09-   | <b>MCB 666 *</b>     |  | <b>SV</b> |  |            |  |            |            |  | <b>MCB 585</b>     |  | <b>SH</b>  |           |
| XT  | 600 | E                     | 3TB, 3UW, DJ  | 90-03 | <b>MCB 627</b>       |  | <b>SV</b> |  |            |  |            |            |  | <b>MCB 539</b>     |  |            |           |
| XT  | 600 | H,N                   | 43F, 49H      | 83-87 | <b>MCB 524</b>       |  |           |  |            |  |            |            |  | <b>MCS 955</b>     |  |            |           |
| XT  | 600 | K                     | 3TB, 3UW      | 91-   | <b>MCB 627</b>       |  | <b>SV</b> |  |            |  |            |            |  | <b>MCB 539</b>     |  |            |           |
| XT  | 600 | Tenere                | 55W           | 83-85 | <b>MCB 524</b>       |  |           |  |            |  |            |            |  | <b>MCS 955</b>     |  |            |           |
| XT  | 600 | Z                     | 1VJ           | 86-87 | <b>MCB 568</b>       |  | <b>SV</b> |  |            |  |            |            |  | <b>MCS 955</b>     |  |            |           |
| XT  | 600 | Z, Tenere             | 3AJ           | 88-   | <b>MCB 568</b>       |  | <b>SV</b> |  |            |  |            |            |  | <b>MCB 539</b>     |  |            |           |
| YFM | 600 | FWAK-FWAN 4x4 Grizzly | AM03          | 98-01 | <b>MCB 561 SI *</b>  |  | <b>EC</b> |  |            |  |            |            |  | <b>MCS 958</b>     |  |            |           |
| YZF | 600 | R6                    | RJ03          | 99-02 | <b>MCB 611 SV *</b>  |  | <b>SV</b> |  | <b>SRQ</b> |  | <b>CRQ</b> | <b>SCR</b> |  | <b>MCB 699</b>     |  | <b>SH</b>  |           |
| YZF | 600 | R6                    | RJ05          | 03-04 | <b>MCB 611 SV *</b>  |  | <b>SV</b> |  | <b>SRQ</b> |  | <b>CRQ</b> | <b>SCR</b> |  | <b>MCB 634</b>     |  | <b>SH</b>  |           |
| YZF | 600 | R6                    | RJ09          | 05    | <b>MCB 611 SV *</b>  |  | <b>SV</b> |  | <b>SRQ</b> |  | <b>CRQ</b> | <b>SCR</b> |  | <b>MCB 634</b>     |  | <b>SH</b>  |           |
| YZF | 600 | R6                    | RJ11,RJ15     | 06-   | <b>MCB 611 SV *</b>  |  | <b>SV</b> |  | <b>SRQ</b> |  | <b>CRQ</b> | <b>SCR</b> |  | <b>MCB 634</b>     |  | <b>SH</b>  |           |
| YZF | 600 | Thunder Cat           | 4TV           | 96-02 | <b>MCB 611 SV *</b>  |  | <b>SV</b> |  | <b>SRQ</b> |  | <b>CRQ</b> |            |  | <b>MCB 530</b>     |  | <b>SH</b>  |           |
| XJ  | 650 |                       | 4K0           | 80-85 | <b>MCB 68 *</b>      |  |           |  |            |  |            |            |  | <b>MCS 957</b>     |  |            |           |
| XJ  | 650 | Turbo                 | 11T           | 82-83 | <b>MCB 524 *</b>     |  |           |  |            |  |            |            |  | <b>MCS 957</b>     |  |            |           |
| XS  | 650 |                       | 447           | 75-76 | <b>MCB 44 *</b>      |  |           |  |            |  |            |            |  | <b>MCS 954</b>     |  |            |           |
| XS  | 650 |                       | 3L1, 5E6      | 81    | <b>MCB 520</b>       |  |           |  |            |  |            |            |  | <b>MCB 68</b>      |  |            |           |
| XS  | 650 |                       | 447           | 77-79 | <b>MCB 68 *</b>      |  |           |  |            |  |            |            |  | <b>MCS 954</b>     |  |            |           |
| XS  | 650 | SE                    | 3L1, 4G7      | 77-83 | <b>MCB 68</b>        |  |           |  |            |  |            |            |  | <b>MCS 954</b>     |  |            |           |
| XV  | 650 |                       | 4VR           | 97-   | <b>MCB 640</b>       |  | <b>SV</b> |  |            |  |            |            |  | <b>MCS 957</b>     |  |            |           |
| XVS | 650 | A Drag Star classic   | VM02          | 98-00 | <b>MCB 640</b>       |  | <b>SV</b> |  |            |  |            |            |  | <b>MCS 957</b>     |  |            |           |
| XVS | 650 | A Drag Star classic   | VM03          | 01-03 | <b>MCB 640</b>       |  | <b>SV</b> |  |            |  |            |            |  | <b>MCS 957</b>     |  |            |           |
| XVS | 650 | A Drag Star classic   | VM04          | 04-   | <b>MCB 640</b>       |  | <b>SV</b> |  |            |  |            |            |  | <b>MCS 957</b>     |  |            |           |



→ YAMAHA

|       |      |                       |              |       |                   |           |            |            |            |  |                   |           |  |
|-------|------|-----------------------|--------------|-------|-------------------|-----------|------------|------------|------------|--|-------------------|-----------|--|
| XVS   | 650  | Drag Star             | 4XR/4VR      | 97-04 | <b>MCB 640</b>    | <b>SV</b> |            |            |            |  | <b>MCS 957</b>    |           |  |
| MT-03 | 660  |                       | RM02         | 06-   | <b>MCB 666</b>    | <b>*</b>  | <b>SV</b>  |            |            |  | <b>MCB 672</b>    | <b>SH</b> |  |
| SZR   | 660  |                       | 4SU          | 96-   | <b>MCB 540</b>    |           | <b>SV</b>  |            |            |  | <b>MCB 75</b>     |           |  |
| XT    | 660  | R                     | DM01         | 04-   | <b>MCB 671</b>    |           | <b>SV</b>  |            |            |  | <b>MCB 672</b>    | <b>SH</b> |  |
| XT    | 660  | X                     | DM01         | 04-   | <b>MCB 683</b>    |           | <b>SV</b>  |            |            |  | <b>MCB 672</b>    | <b>SH</b> |  |
| XT    | 660  | Z Tenere              |              | 08-   | <b>MCB 648</b>    |           | <b>SV</b>  |            |            |  | <b>MCB 672</b>    | <b>SH</b> |  |
| XTZ   | 660  | Tenere                | 4MY3         | 91-   | <b>MCB 627</b>    |           | <b>SV</b>  |            |            |  | <b>MCB 539</b>    |           |  |
| YFM   | 660  | FWAP/FWAR 4x4 Grizzly |              | 02-08 | <b>MCB 561 SI</b> | <b>*</b>  | <b>EC</b>  |            |            |  | <b>MCB 756 SI</b> |           |  |
| YFM   | 660  | RN Raptor             | AM01         | 01-   | <b>MCB 561 SI</b> | <b>*</b>  | <b>EC</b>  |            |            |  | <b>MCB 561 SI</b> | <b>EC</b> |  |
| YXR   | 660  | Rhino                 |              | 05-   | <b>MCB 615 SI</b> |           |            |            |            |  | <b>MCB 723 SI</b> |           |  |
| YXR   | 660  | Rhino                 |              | 05-   | <b>MCB 582 SI</b> |           |            |            |            |  | <b>MCB 723 SI</b> |           |  |
| YFM   | 700  | Grizzly               |              | 07-   | <b>MCB 802 SI</b> |           |            |            |            |  | <b>MCB 804 SI</b> |           |  |
| YFM   | 700  | Grizzly               |              | 07-   | <b>MCB 801 SI</b> |           |            |            |            |  | <b>MCB 803 SI</b> |           |  |
| YFM   | 700  | R Raptor              |              | 06-   | <b>MCB 615 SI</b> |           |            |            |            |  | <b>MCB 723 SI</b> |           |  |
| YFM   | 700  | R Raptor              |              | 06-   | <b>MCB 582 SI</b> |           |            |            |            |  | <b>MCB 723 SI</b> |           |  |
| YXR   | 700  | Rhino                 |              | 09-   | <b>MCB 615 SI</b> |           |            |            |            |  | <b>MCB 582 SI</b> |           |  |
| YXR   | 700  | Rhino                 |              | 09-   | <b>MCB 582 SI</b> |           |            |            |            |  | <b>MCB 582 SI</b> |           |  |
| FZ    | 750  |                       | 1FN          | 85    | <b>MCB 530</b>    | <b>*</b>  |            |            |            |  | <b>MCB 530</b>    |           |  |
| FZ    | 750  |                       | 1TV,1FN      | 86    | <b>MCB 530</b>    | <b>*</b>  |            |            |            |  | <b>MCB 541</b>    |           |  |
| FZ    | 750  |                       | 2KK, 3DY     | 87-88 | <b>MCB 530</b>    | <b>*</b>  |            |            |            |  | <b>MCB 530</b>    |           |  |
| FZ    | 750  |                       | 2KK, 3KT     | 89-   | <b>MCB 559</b>    | <b>*</b>  | <b>SV</b>  |            |            |  | <b>MCB 530</b>    | <b>SH</b> |  |
| FZR   | 750  | R (OW01)              | 3PJ          | 89-93 | <b>MCB 595</b>    | <b>*</b>  | <b>SV</b>  | <b>SRQ</b> | <b>CRQ</b> |  | <b>MCB 530</b>    | <b>SH</b> |  |
| FZR   | 750  | R,RT                  | 3CU,2TT      | 86-88 | <b>MCB 584</b>    | <b>*</b>  |            |            |            |  | <b>MCB 530</b>    |           |  |
| FZX   | 750  | Fazer                 | 2JE          | 86-88 | <b>MCB 530</b>    | <b>*</b>  |            |            |            |  | <b>MCB 530</b>    |           |  |
| XJ    | 750  |                       | 11M          | 83    | <b>MCB 530</b>    | <b>*</b>  |            |            |            |  | <b>MCB 530</b>    |           |  |
| XJ    | 750  |                       | 41Y          | 84-   | <b>MCB 530</b>    | <b>*</b>  |            |            |            |  | <b>MCB 530</b>    |           |  |
| XJ    | 750  | Seca                  | 11M          | 81-82 | <b>MCB 521</b>    |           |            |            |            |  | <b>MCS 957</b>    |           |  |
| XS    | 750  |                       | 1T5          | 77-80 | <b>MCB 68</b>     | <b>*</b>  |            |            |            |  | <b>MCB 68</b>     |           |  |
| XS    | 750  | SE                    | 3L3          | 80-82 | <b>MCB 503</b>    |           |            |            |            |  | <b>MCB 68</b>     |           |  |
| XS    | 750  | SE                    | 3L3          | 80-82 | <b>MCB 520</b>    |           |            |            |            |  |                   |           |  |
| XTZ   | 750  | H,N                   | 3LD/3WM      | 89-   | <b>MCB 615</b>    |           | <b>SV</b>  | <b>SI</b>  |            |  | <b>MCB 604</b>    |           |  |
| XTZ   | 750  | H,N                   | 3LD/3WM      | 89-   | <b>MCB 582</b>    |           | <b>SV</b>  | <b>SI</b>  |            |  |                   |           |  |
| XV    | 750  |                       | 4FY          | 89-92 | <b>MCB 530</b>    |           |            |            |            |  | <b>MCS 957</b>    |           |  |
| XV    | 750  | SE                    | 5G5,5K4      | 81-82 | <b>MCB 520</b>    |           |            |            |            |  | <b>MCS 950</b>    |           |  |
| XV    | 750  | Virago                | 4PW          | 94-98 | <b>MCB 640</b>    | <b>*</b>  | <b>SV</b>  |            |            |  | <b>MCS 957</b>    |           |  |
| YZF   | 750  | R,SP                  | 4HN,4HT      | 93-97 | <b>MCB 656 SV</b> | <b>*</b>  | <b>SRQ</b> |            |            |  | <b>MCB 530</b>    | <b>SH</b> |  |
| YZF   | 750  | R7 (OW02)             | OW02         | 99-   | <b>MCB 611 SV</b> | <b>*</b>  | <b>SRQ</b> | <b>CRQ</b> |            |  | <b>MCB 702</b>    | <b>SH</b> |  |
| FZ8   | 800  | ABS, Fazer 8 ABS      | RN25         | 10-   | <b>MCB 611</b>    | <b>*</b>  | <b>SV</b>  | <b>SRQ</b> | <b>CRQ</b> |  | <b>MCB 634</b>    | <b>SH</b> |  |
| TDM   | 850  |                       | 4TX          | 96-01 | <b>MCB 622</b>    | <b>*</b>  | <b>SV</b>  |            |            |  | <b>MCB 530</b>    | <b>SH</b> |  |
| TDM   | 850  | H,N                   | 3VD, 4CM     | 91-95 | <b>MCB 559</b>    | <b>*</b>  | <b>SV</b>  |            |            |  | <b>MCB 530</b>    | <b>SH</b> |  |
| TRX   | 850  |                       | Sumitomo 4UN | 96-   | <b>MCB 584</b>    | <b>*</b>  | <b>SV</b>  |            |            |  | <b>MCB 530</b>    | <b>SH</b> |  |
| TRX   | 850  |                       | Brembo 4UN   | 96-   | <b>MCB 683</b>    | <b>*</b>  | <b>SV</b>  |            |            |  | <b>MCB 530</b>    | <b>SH</b> |  |
| XS    | 850  |                       |              | 80-81 | <b>MCB 68</b>     | <b>*</b>  |            |            |            |  | <b>MCB 68</b>     |           |  |
| XS    | 850  |                       | 4H1          | 81-   | <b>MCB 503</b>    |           |            |            |            |  | <b>MCB 68</b>     |           |  |
| XS    | 850  |                       | 4H1          | 81-   | <b>MCB 520</b>    |           |            |            |            |  |                   |           |  |
| TDM   | 900  |                       | RN08         | 02-03 | <b>MCB 611</b>    | <b>*</b>  | <b>SV</b>  |            |            |  | <b>MCB 731</b>    | <b>SH</b> |  |
| TDM   | 900  |                       | RN11         | 04-05 | <b>MCB 611</b>    | <b>*</b>  | <b>SV</b>  |            |            |  | <b>MCB 731</b>    | <b>SH</b> |  |
| TDM   | 900  |                       | RN18         | 06-   | <b>MCB 611</b>    | <b>*</b>  | <b>SV</b>  |            |            |  | <b>MCB 731</b>    | <b>SH</b> |  |
| XJ    | 900  | F                     | 31A,42N      | 83-84 | <b>MCB 530</b>    | <b>*</b>  |            |            |            |  | <b>MCB 530</b>    |           |  |
| XJ    | 900  | F                     | 58L/4BB      | 85-94 | <b>MCB 530</b>    | <b>*</b>  |            |            |            |  | <b>MCB 530</b>    |           |  |
| XJ    | 900  | S Diversion           | 4KM          | 95-03 | <b>MCB 640</b>    | <b>*</b>  | <b>SV</b>  |            |            |  | <b>MCB 530</b>    | <b>SH</b> |  |
| XVS   | 950  | A Midnight Star       | VN021        | 09-   | <b>MCB 640</b>    |           | <b>SV</b>  |            |            |  | <b>MCB 731</b>    | <b>SH</b> |  |
| FZ1   | 1000 | , ABS                 | RN16         | 06-   | <b>MCB 611</b>    | <b>*</b>  | <b>SV</b>  | <b>SRQ</b> |            |  | <b>MCB 634</b>    | <b>SH</b> |  |
| FZ1   | 1000 | Fazer ABS             | RN16         | 06-   | <b>MCB 611</b>    | <b>*</b>  | <b>SV</b>  | <b>SRQ</b> |            |  | <b>MCB 634</b>    | <b>SH</b> |  |
| FZR   | 1000 |                       | 2LA          | 87-88 | <b>MCB 584</b>    | <b>*</b>  |            |            |            |  | <b>MCB 530</b>    |           |  |
| FZR   | 1000 |                       | 3LE          | 91-93 | <b>MCB 642</b>    | <b>*</b>  | <b>SV</b>  |            |            |  | <b>MCB 530</b>    | <b>SH</b> |  |
| FZR   | 1000 |                       | 3LE          | 94-   | <b>MCB 656 SV</b> | <b>*</b>  | <b>SRQ</b> |            |            |  | <b>MCB 530</b>    | <b>SH</b> |  |
| FZR   | 1000 | R, Exup               | 3LE          | 89-90 | <b>MCB 622</b>    | <b>*</b>  | <b>SV</b>  |            |            |  | <b>MCB 530</b>    | <b>SH</b> |  |
| FZS   | 1000 | Fazer                 | RN06         | 01-05 | <b>MCB 611</b>    | <b>*</b>  | <b>SV</b>  | <b>SRQ</b> |            |  | <b>MCB 725</b>    | <b>SH</b> |  |
| GTS   | 1000 | A                     | 4BH          | 93-00 | <b>MCB 655</b>    |           |            |            |            |  | <b>MCB 530</b>    | <b>SH</b> |  |
| XV    | 1000 | SE                    | 23W          | 83-85 | <b>MCB 521</b>    | <b>*</b>  |            |            |            |  | <b>MCS 957</b>    |           |  |
| XV    | 1000 | TR1                   | 5A8, 19T     | 81-   | <b>MCB 68</b>     | <b>*</b>  |            |            |            |  | <b>MCS 957</b>    |           |  |
| XV    | 1000 | Virago                | 2AE          | 86-87 | <b>MCB 530</b>    | <b>*</b>  |            |            |            |  | <b>MCS 957</b>    |           |  |
| YZF   | 1000 | R1                    | RN01         | 98-99 | <b>MCB 611 SV</b> | <b>*</b>  | <b>CRQ</b> | <b>SRQ</b> | <b>SCR</b> |  | <b>MCB 702</b>    | <b>SH</b> |  |
| YZF   | 1000 | R1                    | RN04         | 00-01 | <b>MCB 611 SV</b> | <b>*</b>  | <b>CRQ</b> | <b>SRQ</b> | <b>SCR</b> |  | <b>MCB 702</b>    | <b>SH</b> |  |
| YZF   | 1000 | R1                    | RN09         | 02-03 | <b>MCB 611 SV</b> | <b>*</b>  | <b>CRQ</b> | <b>SRQ</b> | <b>SCR</b> |  | <b>MCB 699</b>    | <b>SH</b> |  |
| YZF   | 1000 | R1                    | RN12         | 04-06 | <b>MCB 611 SV</b> | <b>*</b>  | <b>CRQ</b> | <b>SRQ</b> | <b>SCR</b> |  | <b>MCB 634</b>    | <b>SH</b> |  |
| YZF   | 1000 | R1                    | 4☐ RN19      | 07-08 | <b>MCB 795 SV</b> | <b>*</b>  | <b>SRQ</b> | <b>CRQ</b> | <b>SCR</b> |  | <b>MCB 634</b>    | <b>SH</b> |  |
| YZF   | 1000 | R1 SP                 | 4☐ RN22      | 09-12 | <b>MCB 795 SV</b> | <b>*</b>  | <b>SRQ</b> | <b>CRQ</b> | <b>SCR</b> |  | <b>MCB 634</b>    | <b>SH</b> |  |





## → YAMAHA

|       |      |                       |           |       |                     |                  |            |                |                |           |
|-------|------|-----------------------|-----------|-------|---------------------|------------------|------------|----------------|----------------|-----------|
| YZF   | 1000 | Thunder Ace           | 4VD       | 96-02 | <b>MCB 611 SV *</b> | <b>CRQ</b>       | <b>SRQ</b> | <b>MCB 530</b> | <b>SH</b>      |           |
| BT    | 1100 | Bulldog               | RP05      | 02-06 | <b>MCB 611 *</b>    | <b>SV</b>        | <b>SRQ</b> | <b>MCB 530</b> | <b>SH</b>      |           |
| FJ    | 1100 |                       | 47E       | 83-85 | <b>MCB 530 *</b>    |                  |            | <b>MCB 530</b> |                |           |
| XS    | 1100 |                       | 2H9,3X0   | 78-81 | <b>MCB 68 *</b>     |                  |            | <b>MCB 68</b>  |                |           |
| XS    | 1100 | LH                    | 5K7       | 81-82 | <b>MCB 521 *</b>    |                  |            | <b>MCB 68</b>  |                |           |
| XV    | 1100 | Virago                | 3LP       | 86-93 | <b>MCB 530 *</b>    | <b>SV</b>        |            | <b>MCS 957</b> |                |           |
| XV    | 1100 | Virago                | 3LP       | 94-98 | <b>MCB 640 *</b>    | <b>SV</b>        |            | <b>MCS 957</b> |                |           |
| XV    | 1100 | Virago                | 3LP       | 99    | <b>MCB 666 *</b>    | <b>SV</b>        |            | <b>MCB 530</b> | <b>SH</b>      |           |
| XVS   | 1100 | Drag Star             | VP05      | 99-00 | <b>MCB 666 *</b>    | <b>SV</b>        |            | <b>MCB 530</b> | <b>SH</b>      |           |
| XVS   | 1100 | Drag Star Classic     | VP05      | 00-   | <b>MCB 666 *</b>    | <b>SV</b>        |            | <b>MCB 530</b> | <b>SH</b>      |           |
| FJ    | 1200 |                       | 1XJ       | 86-87 | <b>MCB 530 *</b>    |                  |            | <b>MCB 530</b> |                |           |
| FJ    | 1200 |                       | 3CW, 3YA  | 88-   | <b>MCB 559 *</b>    | <b>SV</b>        |            | <b>MCB 530</b> |                |           |
| FJ    | 1200 | ABS                   | 3YA       | 91-93 | <b>MCB 584 *</b>    | <b>SV</b>        |            | <b>MCB 530</b> | <b>SH</b>      |           |
| VMX   | 1200 | V Max                 |           | 85-92 | <b>MCB 530 *</b>    |                  |            | <b>MCB 530</b> |                |           |
| VMX   | 1200 | V Max                 |           | 93-01 | <b>MCB 622 *</b>    | <b>SV</b>        |            | <b>MCB 530</b> | <b>SH</b>      |           |
| XJR   | 1200 | VP                    | Brembo    | 4PU   | 94-98               | <b>MCB 683 *</b> | <b>SV</b>  | <b>MCB 530</b> | <b>SH</b>      |           |
| XJR   | 1200 |                       | Sumitomo  | 4PU   | 96-98               | <b>MCB 584 *</b> | <b>SV</b>  | <b>MCB 530</b> | <b>SH</b>      |           |
| XTZ   | 1200 | Super Tenere ABS      |           | 10-   | <b>MCB 611 *</b>    | <b>SV</b>        |            | <b>MCB 731</b> | <b>SH</b>      |           |
| XVZ   | 1200 | T, Vent. Royale       | 47G       | 84-   | <b>MCB 530 *</b>    |                  |            | <b>MCB 530</b> |                |           |
|       | 1300 | Stryker               |           | 11-   | <b>MCB 640</b>      | <b>SV</b>        |            | <b>MCB 731</b> | <b>SH</b>      |           |
| FJR   | 1300 |                       | RP04      | 01-   | <b>MCB 611 *</b>    | <b>SV</b>        |            | <b>MCB 731</b> | <b>SH</b>      |           |
| FJR   | 1300 | ABS                   | RP08/RP11 | 03-05 | <b>MCB 611 *</b>    | <b>SV</b>        |            | <b>MCB 731</b> | <b>SH</b>      |           |
| FJR   | 1300 | A/AS ABS              | 4 ☐       | RP13  | 06-                 | <b>MCB 706 *</b> | <b>SV</b>  | <b>MCB 731</b> | <b>SH</b>      |           |
| XJR   | 1300 | SP                    | RP02      | 99-01 | <b>MCB 611 *</b>    | <b>SV</b>        | <b>SRQ</b> | <b>CRQ</b>     | <b>MCB 530</b> | <b>SH</b> |
| XJR   | 1300 |                       | RP06      | 02-03 | <b>MCB 611 *</b>    | <b>SV</b>        | <b>SRQ</b> | <b>CRQ</b>     | <b>MCB 725</b> | <b>SH</b> |
| XJR   | 1300 |                       | RP10      | 04-   | <b>MCB 611 *</b>    | <b>SV</b>        | <b>SRQ</b> | <b>CRQ</b>     | <b>MCB 725</b> | <b>SH</b> |
| XVS   | 1300 | A Midnight Star       | VP2       | 07-   | <b>MCB 666 *</b>    | <b>SV</b>        |            | <b>MCB 731</b> | <b>SH</b>      |           |
| XVZ   | 1300 | A Royale Star         | 4YP       | 96-00 | <b>MCB 584 *</b>    | <b>SV</b>        |            | <b>MCB 559</b> |                |           |
| XVZ   | 1300 | AT,Royal Star Tour    | 4YP       | 97-00 | <b>MCB 584 *</b>    | <b>SV</b>        |            | <b>MCB 559</b> |                |           |
| XVZ   | 1300 | Royal Star Boulevard  | VP09      | 99-   | <b>MCB 584 *</b>    | <b>SV</b>        |            | <b>MCB 559</b> |                |           |
| XVZ   | 1300 | TF Royal Star Venture | VP09      | 99-   | <b>MCB 640 *</b>    | <b>SV</b>        |            | <b>MCB 559</b> |                |           |
| XVZ   | 1300 | Vent. Royal           | 3JS       | 86-95 | <b>MCB 584 *</b>    | <b>SV</b>        |            | <b>MCB 559</b> |                |           |
| XV    | 1600 | A Wild Star           | VP08      | 99-   | <b>MCB 640 *</b>    | <b>SV</b>        |            | <b>MCB 559</b> |                |           |
| XV-Y  | 1700 | V-Max                 | 4 ☐       | 09-   | <b>MCB 795 SV *</b> | <b>SRQ</b>       | <b>CRQ</b> | <b>MCB 731</b> | <b>SH</b>      |           |
| MT-01 | 1700 |                       | RP12      | 05-06 | <b>MCB 611 *</b>    | <b>SV</b>        | <b>SRQ</b> | <b>MCB 631</b> | <b>SH</b>      |           |
| MT-01 | 1700 |                       | RP12      | 07-   | <b>MCB 795 SV *</b> | <b>SRQ</b>       | <b>CRQ</b> | <b>MCB 631</b> | <b>SH</b>      |           |
| XV    | 1700 | PC Road Star Warrior  | VP14      | 03-   | <b>MCB 611 *</b>    | <b>SV</b>        |            | <b>MCB 731</b> | <b>SH</b>      |           |
| XV    | 1900 | Midnight Star         | VP23      | 06-   | <b>MCB 611 *</b>    | <b>SV</b>        |            | <b>MCB 731</b> | <b>SH</b>      |           |

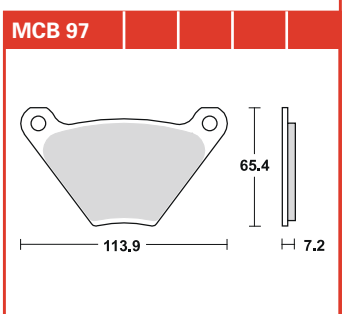
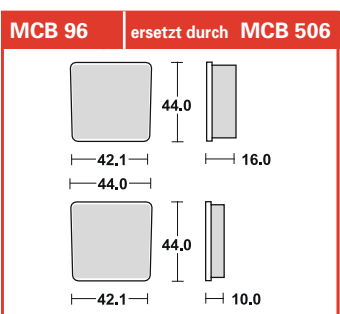
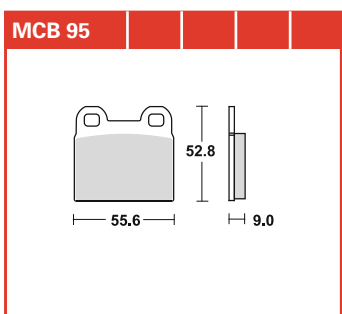
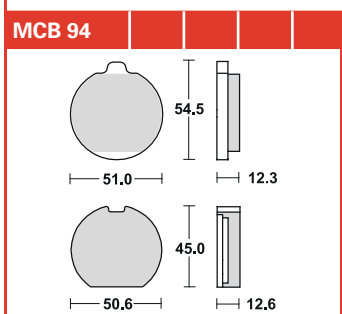
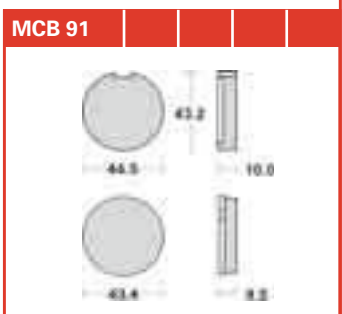
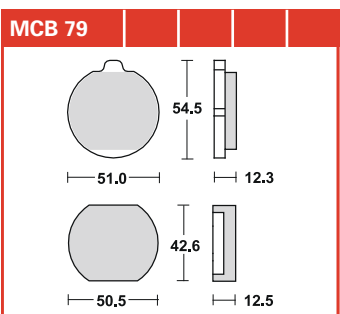
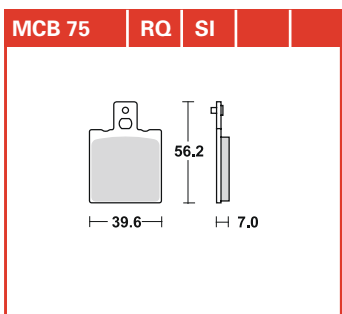
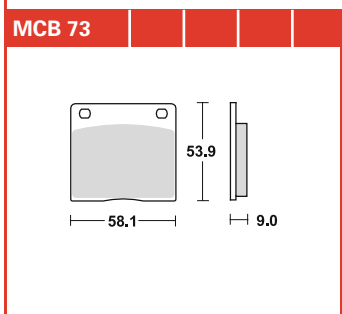
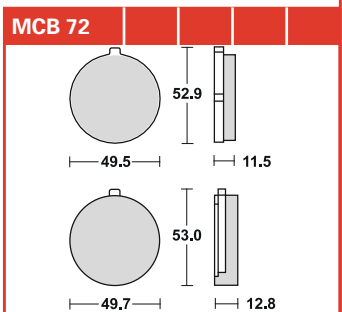
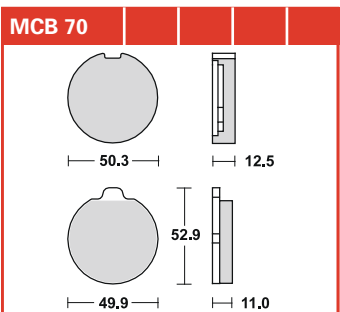
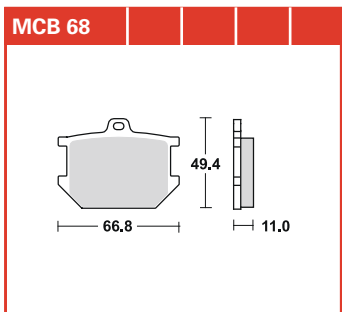
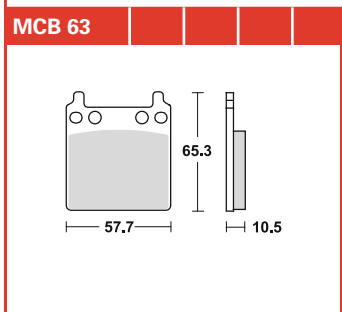
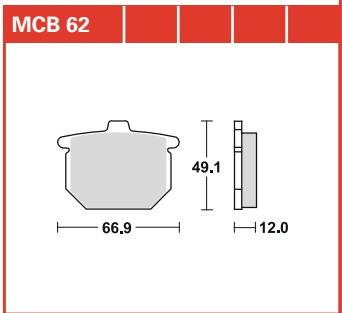
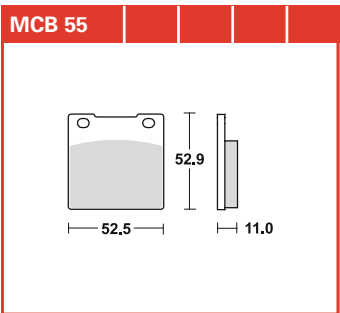
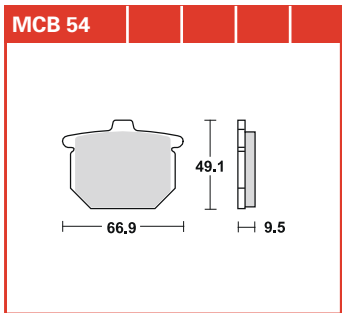
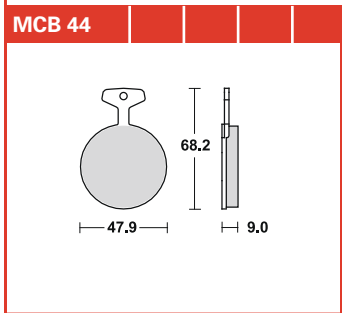
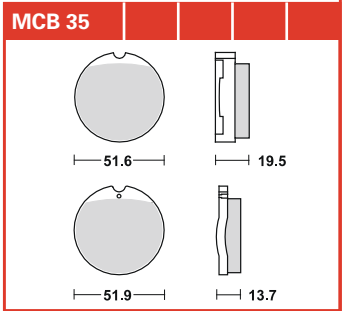
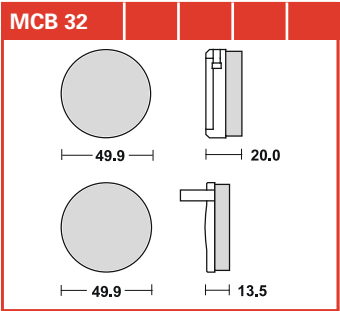
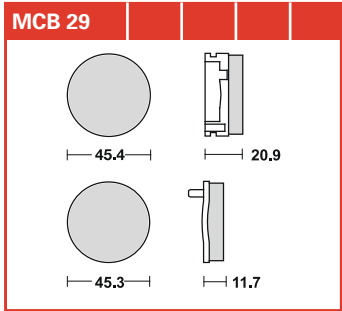
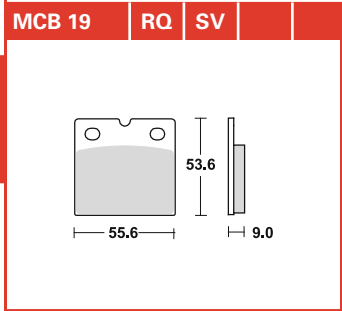
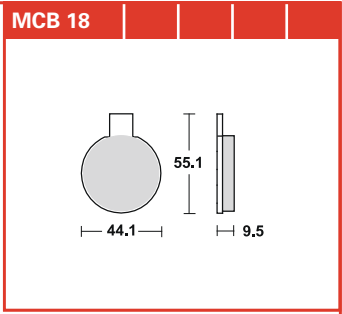
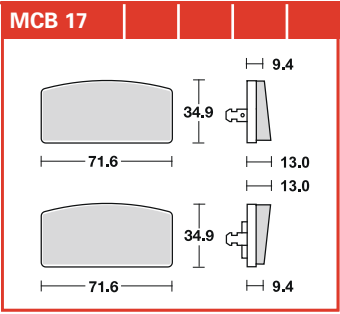
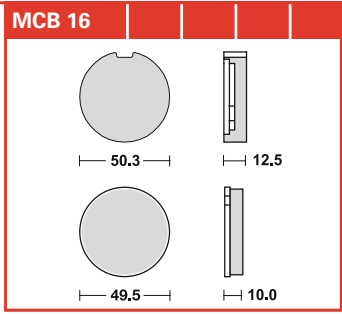
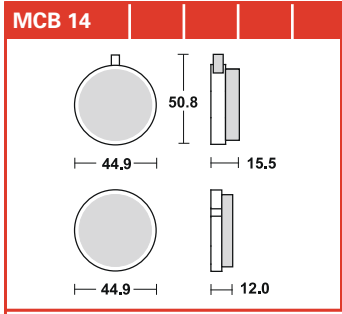
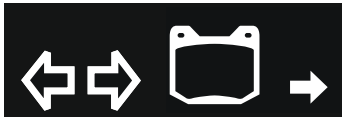
## Zhongyu

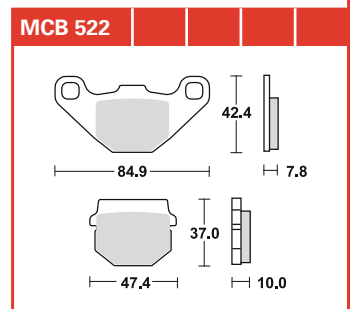
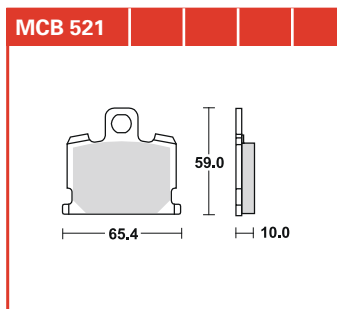
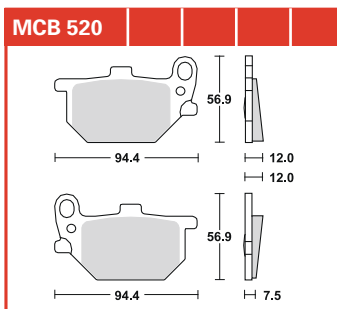
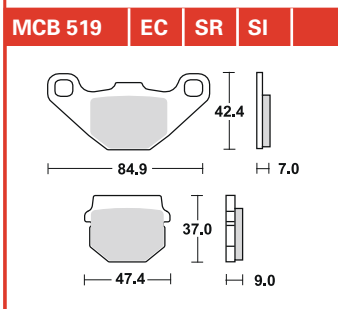
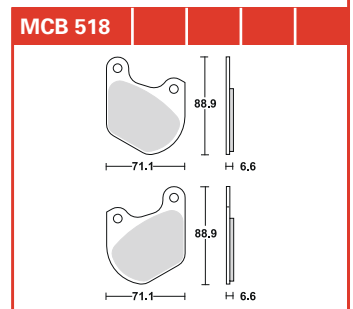
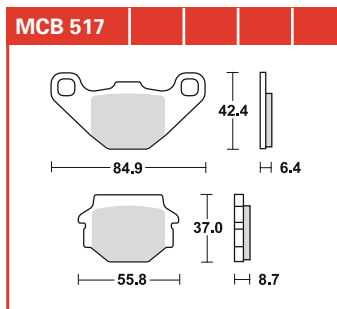
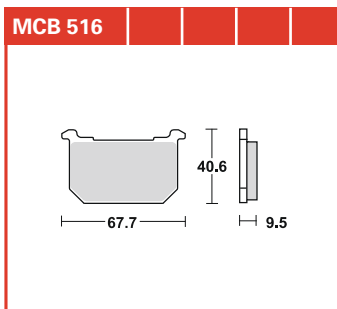
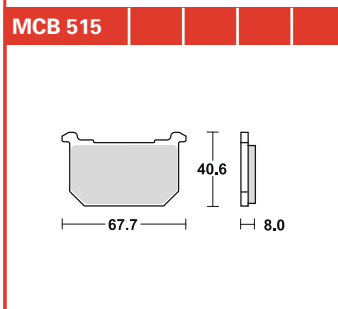
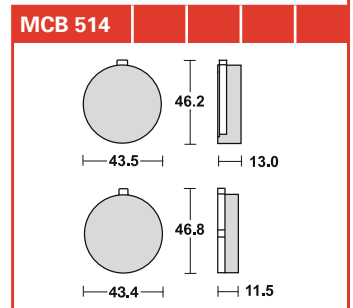
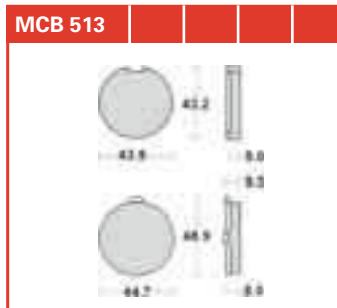
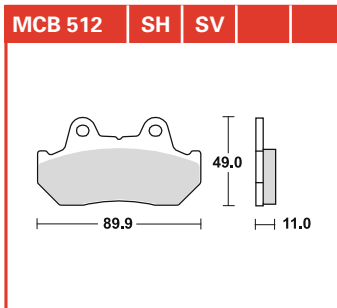
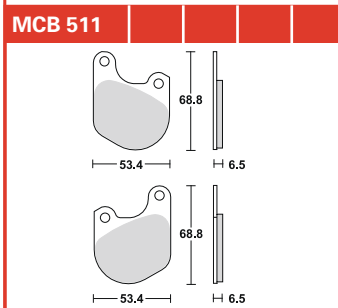
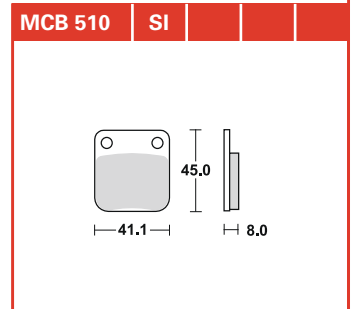
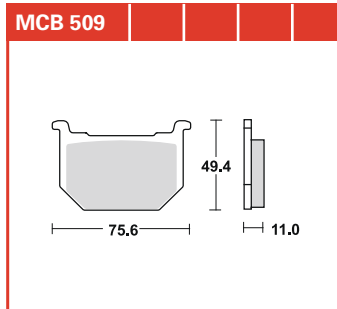
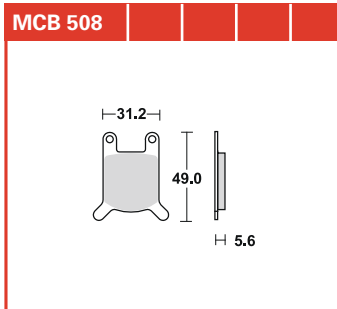
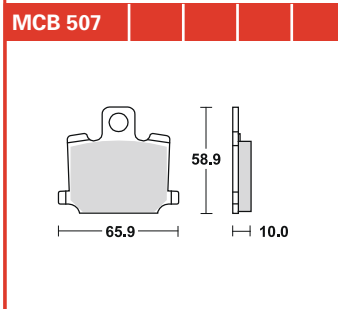
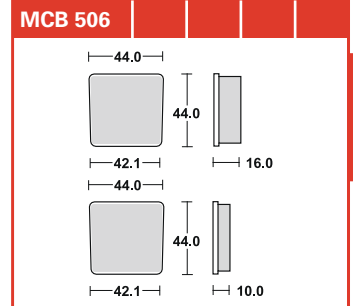
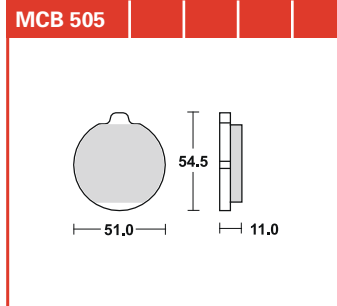
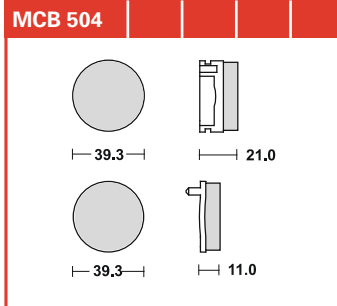
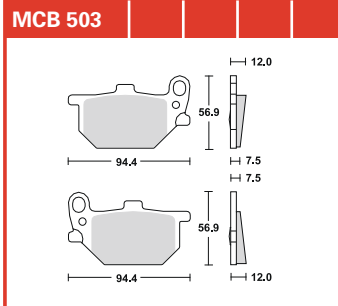
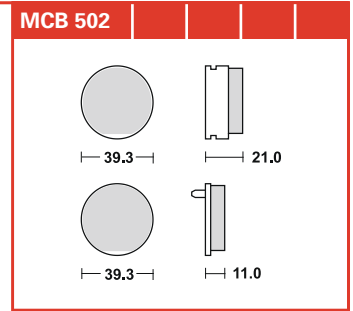
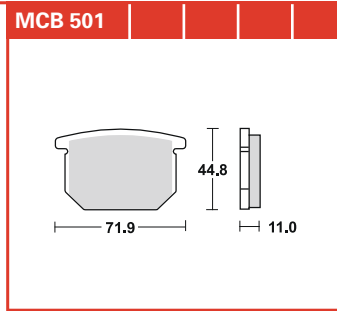
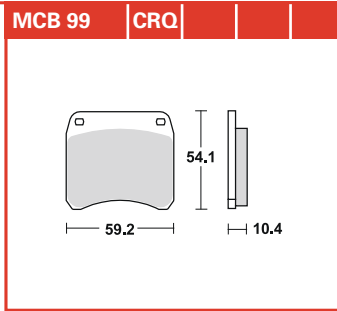
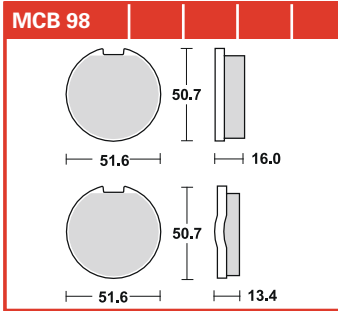
ZY 50 QT

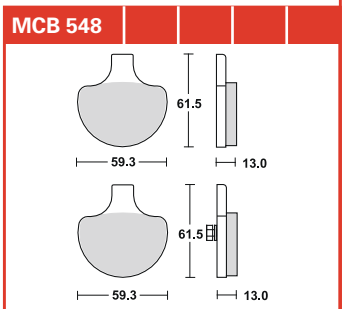
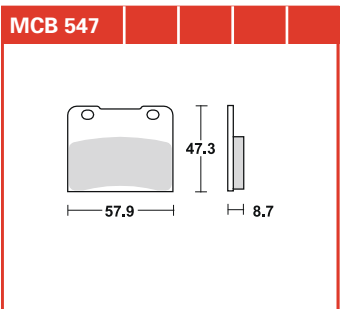
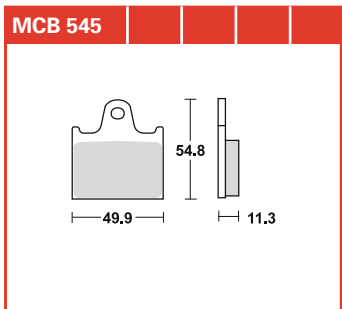
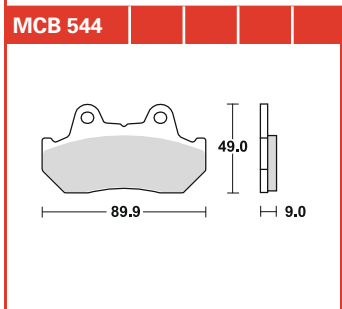
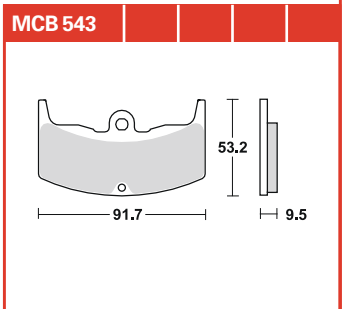
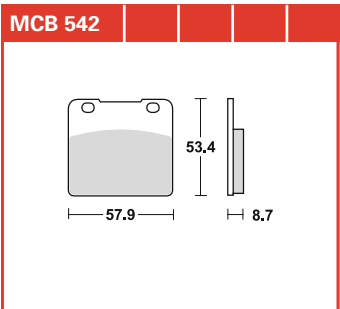
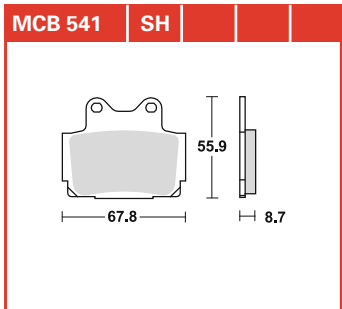
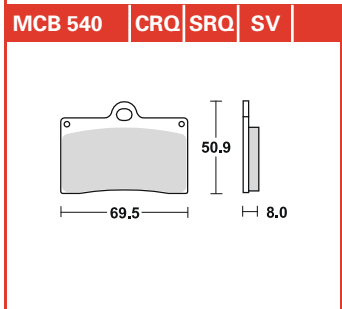
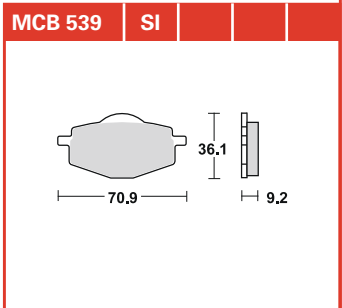
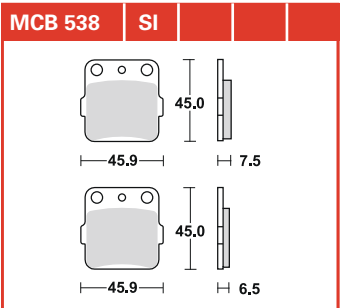
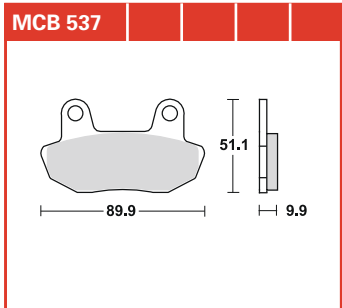
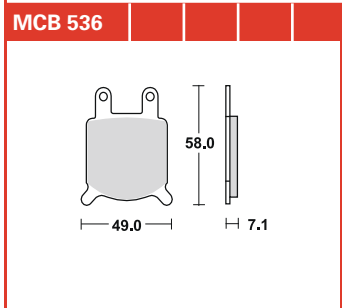
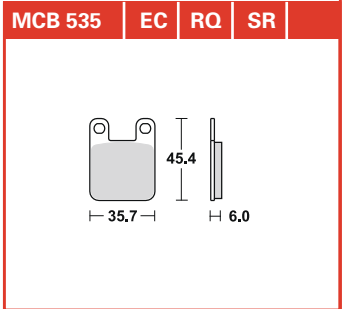
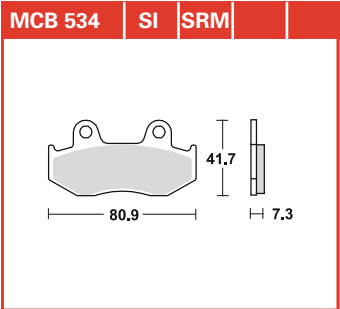
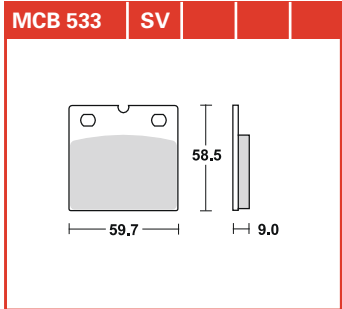
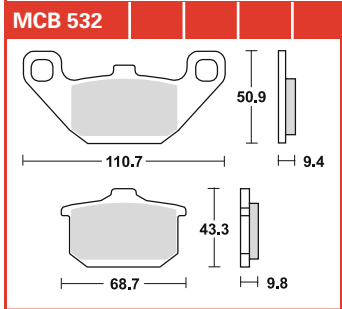
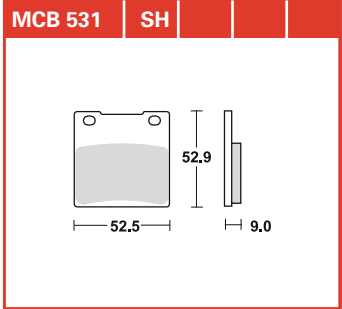
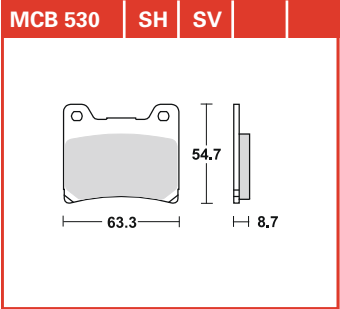
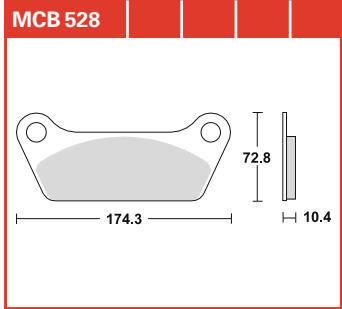
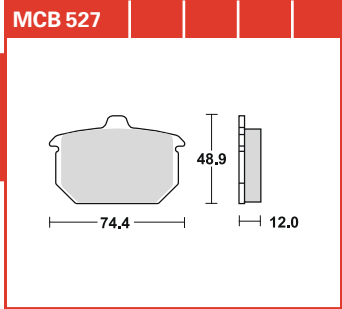
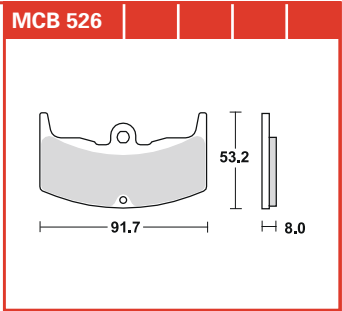
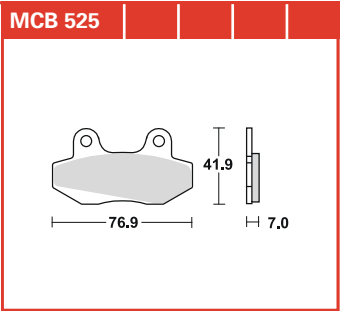
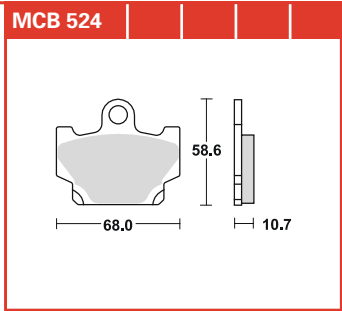
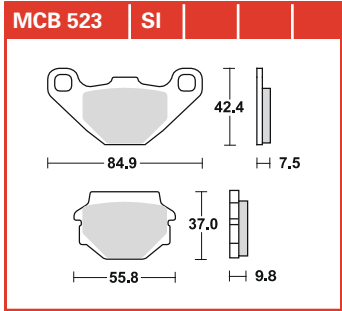
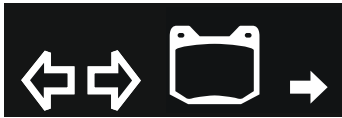
**MCB 590** **EC**

## Zündapp

|    |     |                |  |       |                |  |  |  |  |
|----|-----|----------------|--|-------|----------------|--|--|--|--|
| KS | 50  | Supersport     |  | -79   | <b>MCB 508</b> |  |  |  |  |
| KS | 50  | TT Watercooled |  | 80-81 | <b>MCB 508</b> |  |  |  |  |
| KS | 80  |                |  | 80    | <b>MCB 508</b> |  |  |  |  |
| KS | 80  | Super          |  | 83-   | <b>MCB 536</b> |  |  |  |  |
| KS | 80  | Super          |  | 80-   | <b>MCB 552</b> |  |  |  |  |
| KS | 80  | Touring        |  | 81-   | <b>MCB 508</b> |  |  |  |  |
| KS | 125 |                |  | 79    | <b>MCB 536</b> |  |  |  |  |
| KS | 175 |                |  | 78-   | <b>MCB 16</b>  |  |  |  |  |



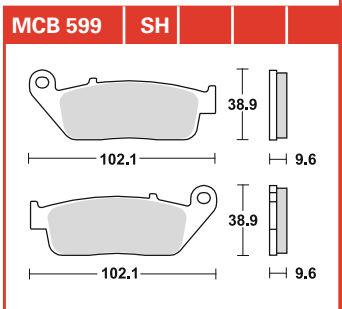
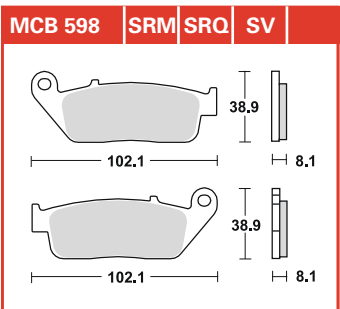
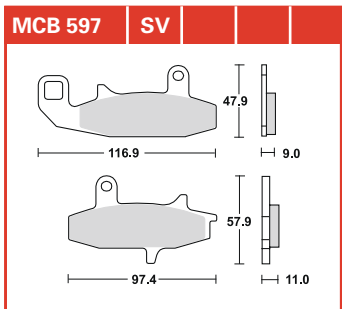
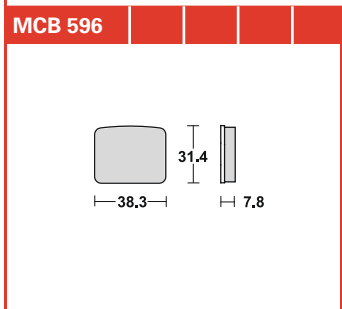
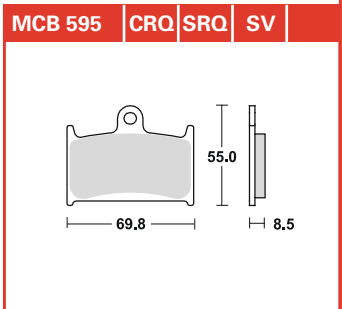
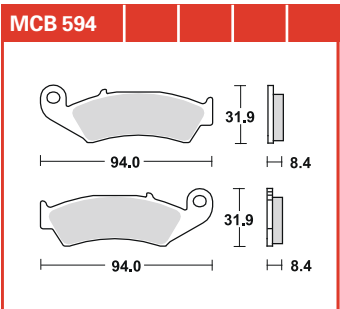
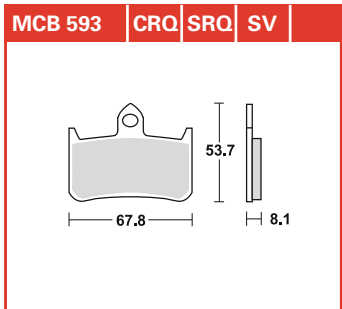
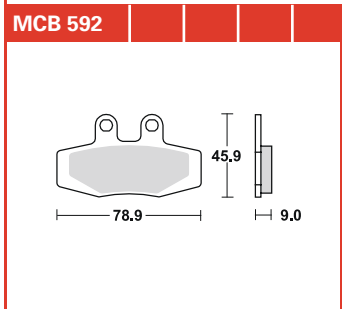
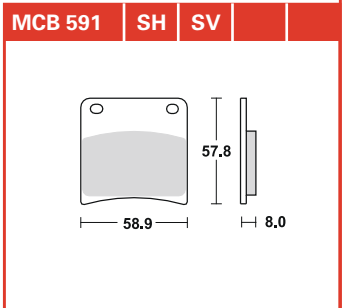
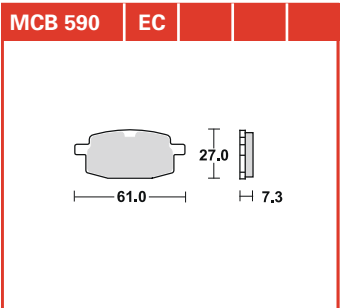
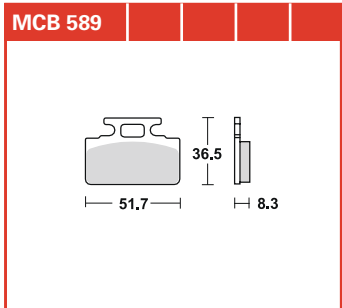
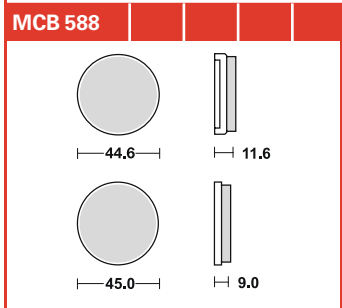
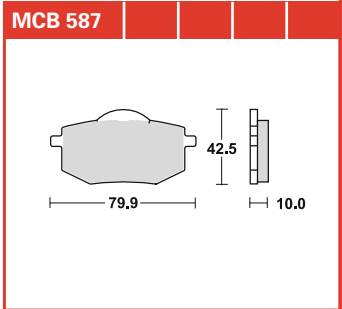
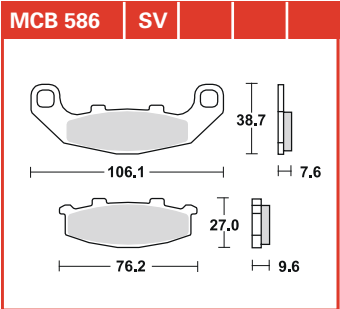
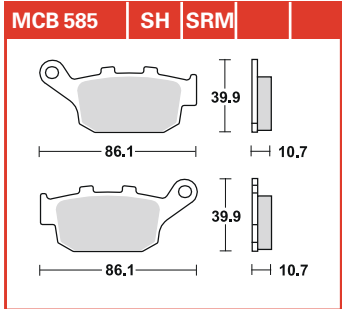
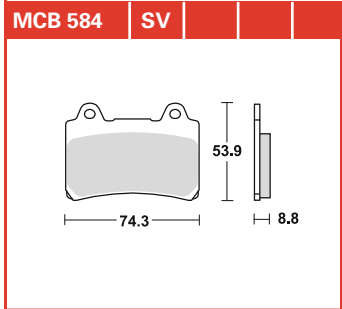
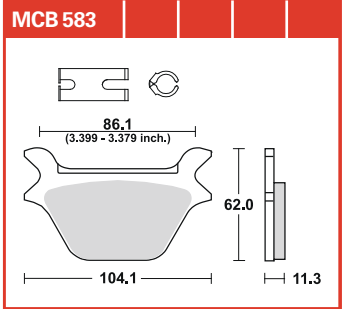
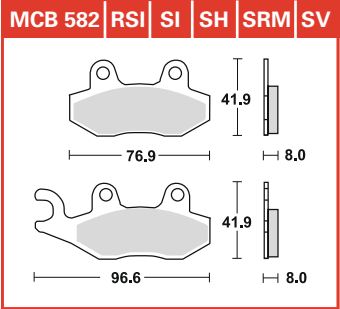
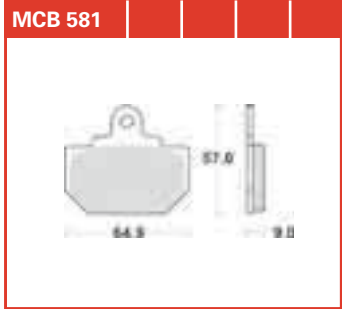
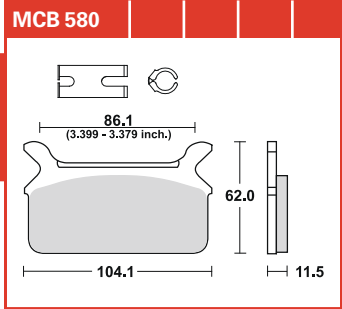
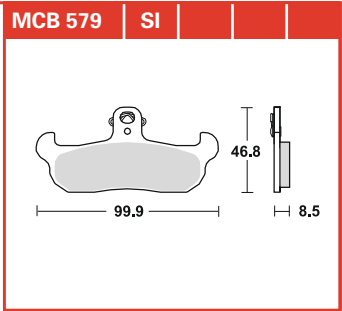
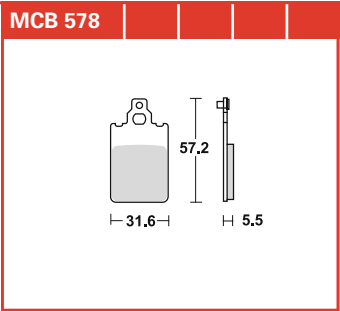
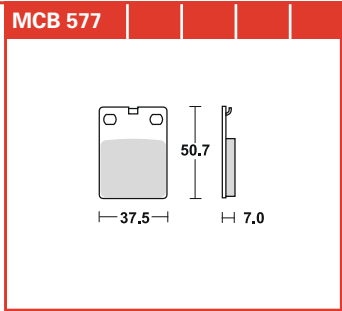
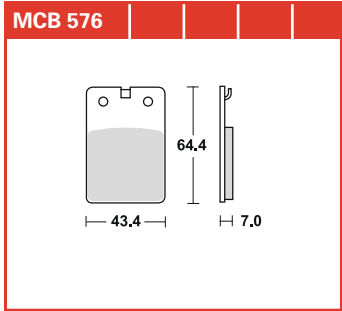
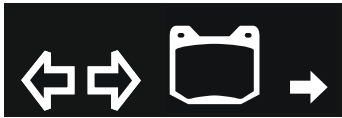


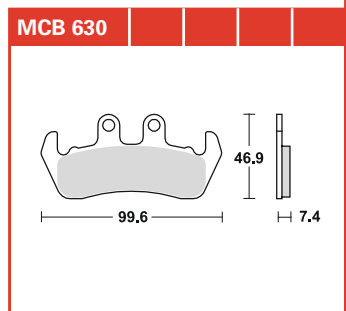
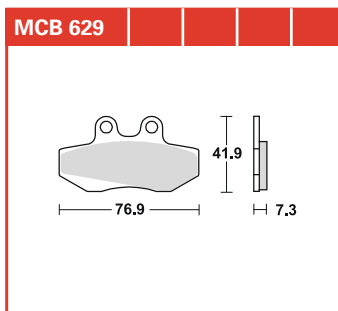
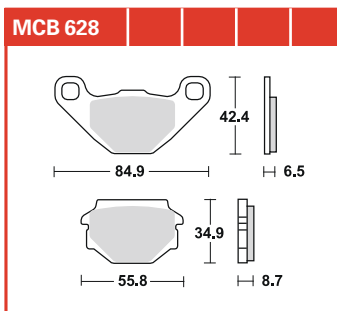
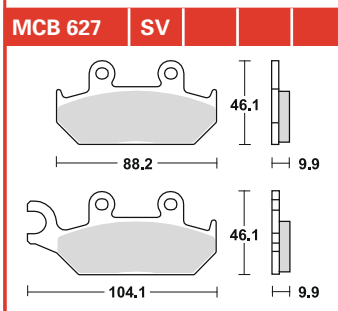
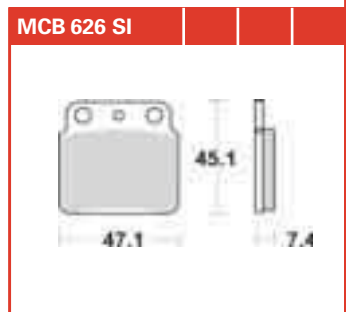
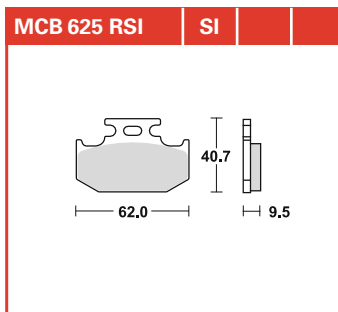
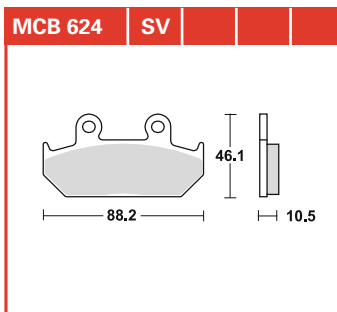
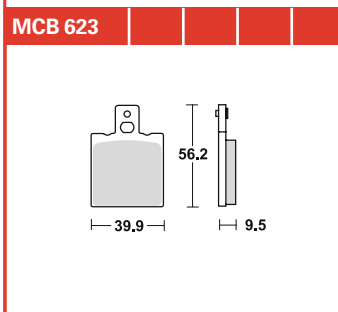
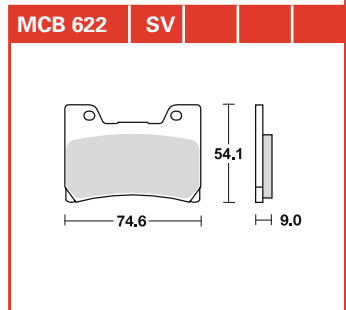
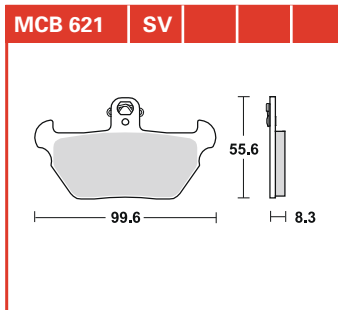
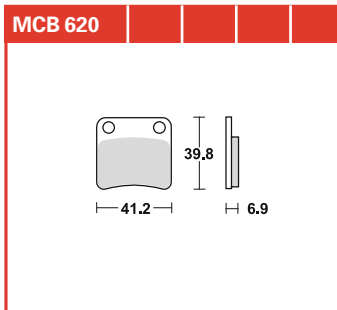
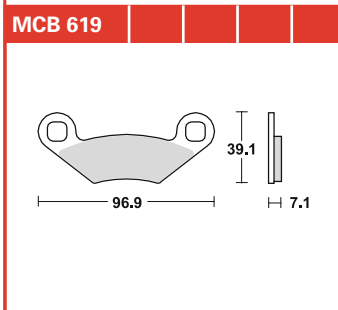
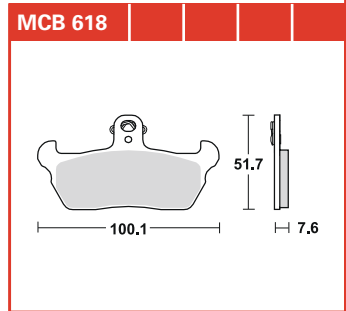
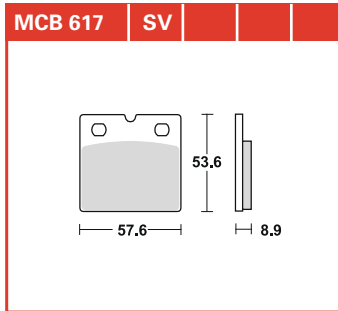
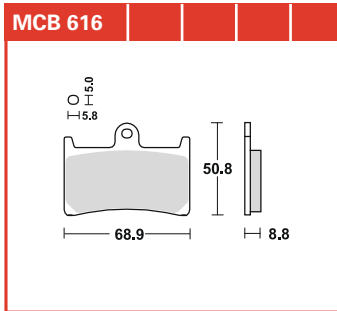
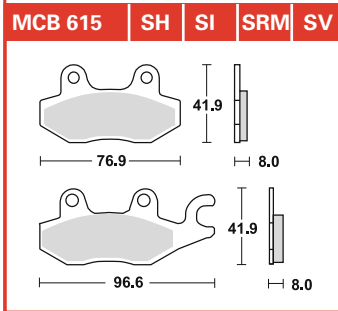
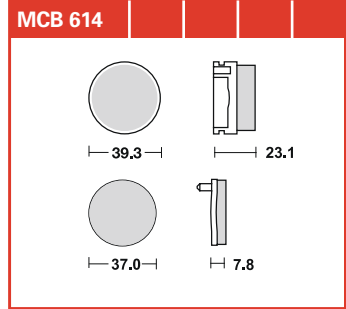
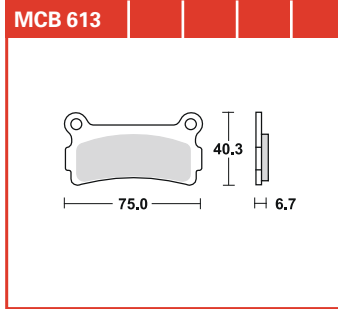
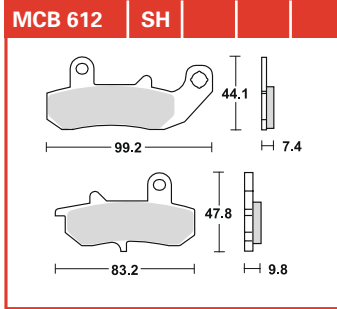
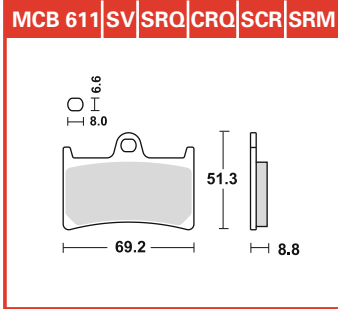
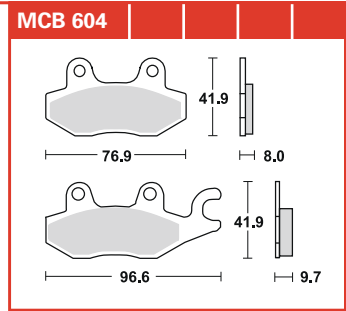
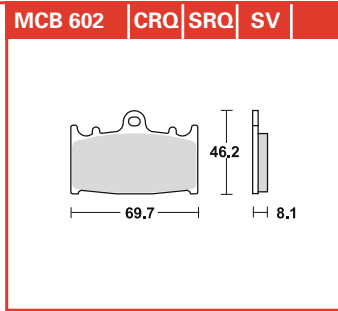
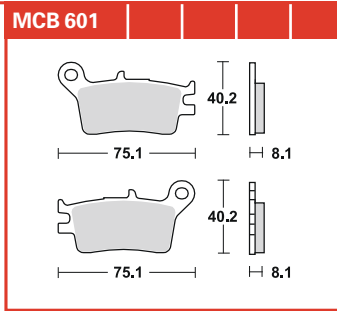
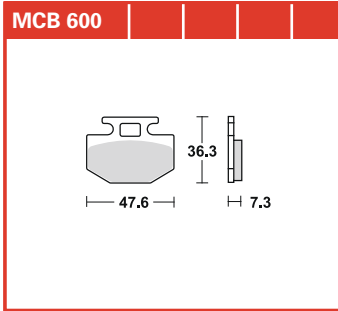


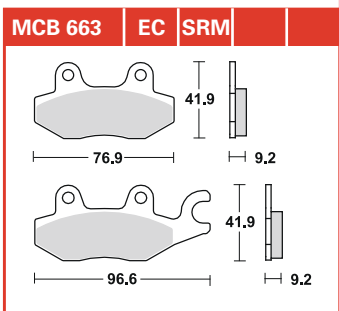
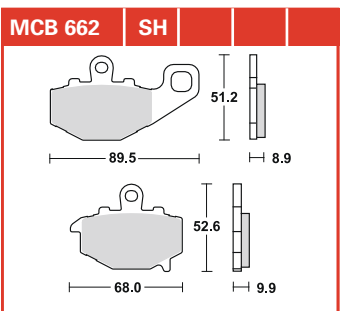
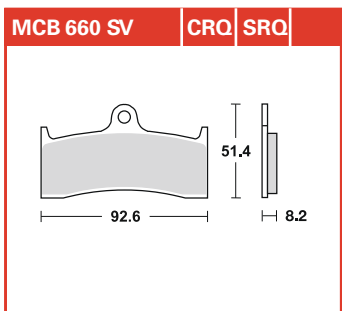
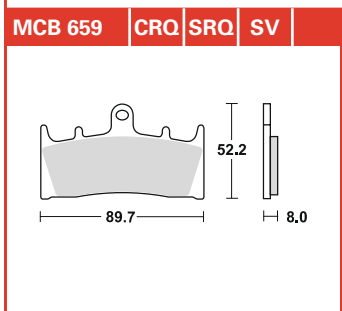
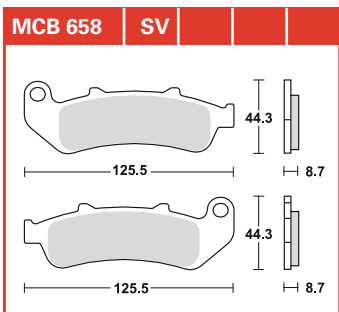
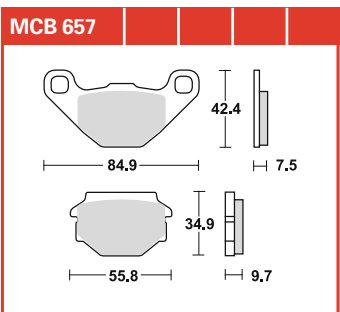
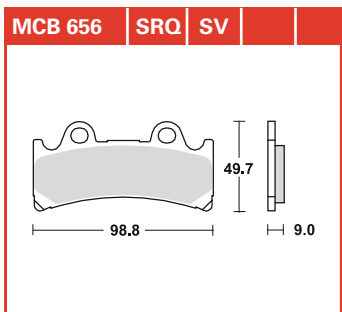
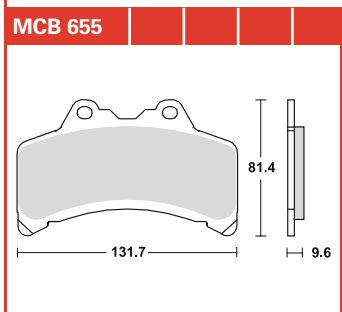
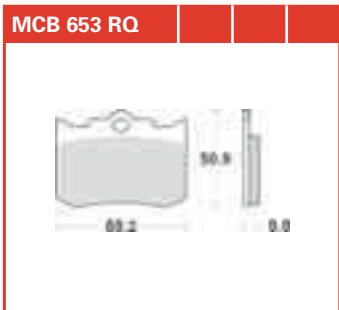
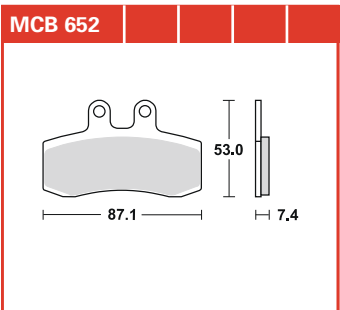
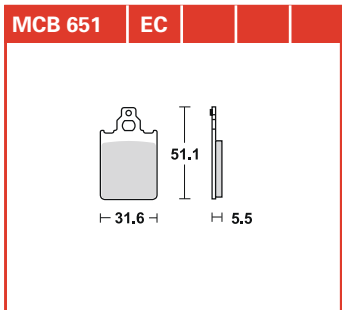
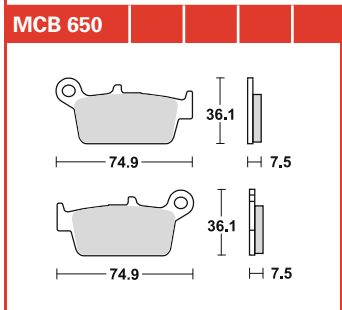
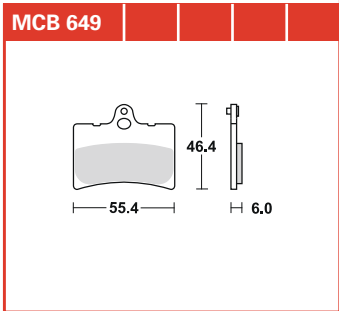
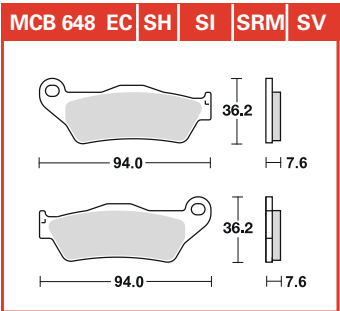
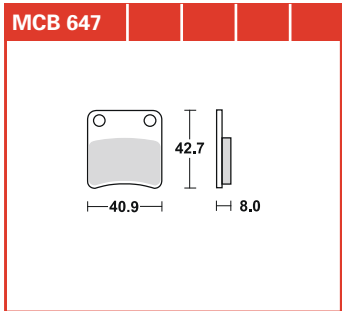
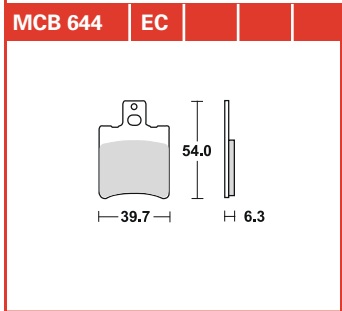
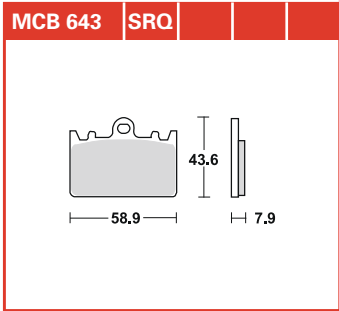
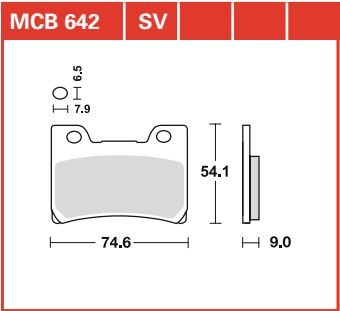
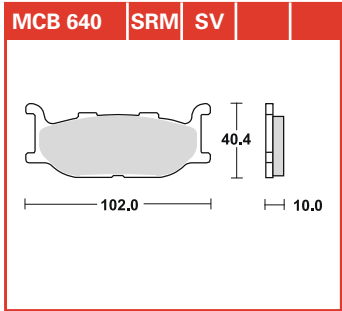
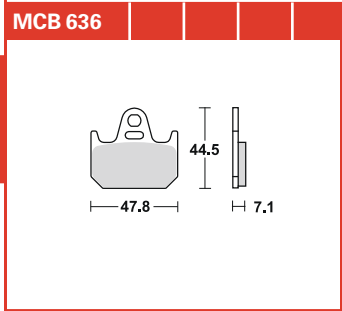
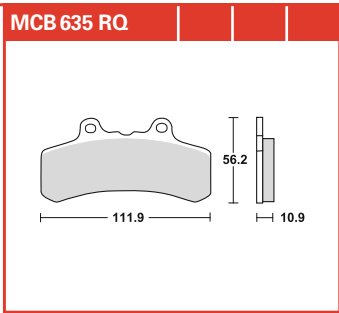
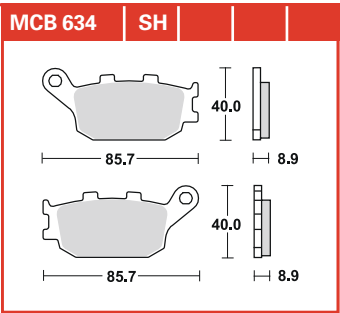
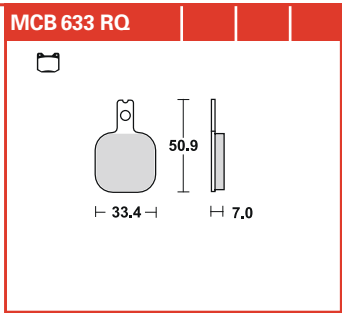
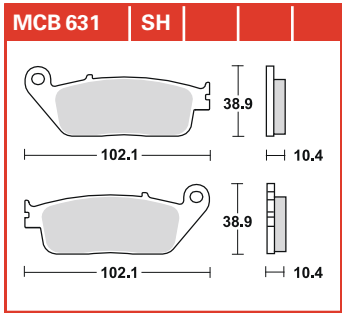
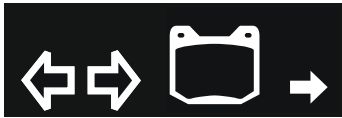


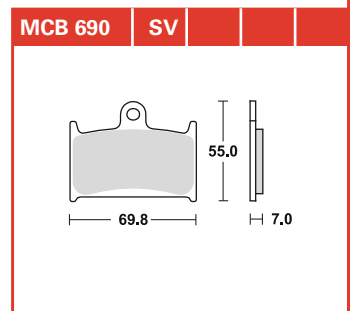
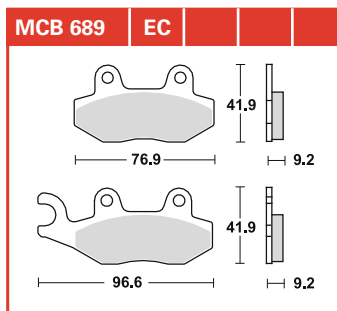
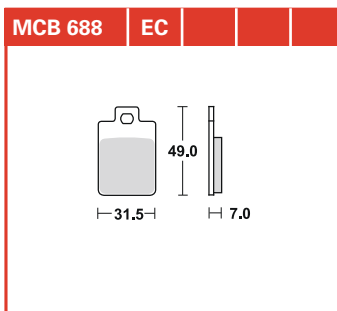
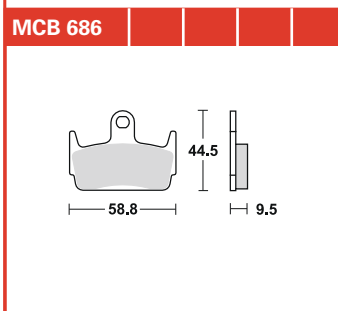
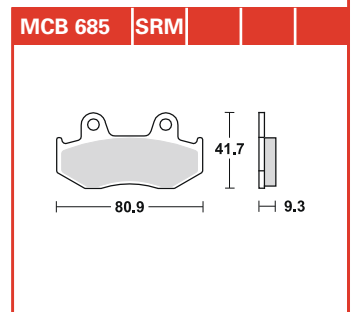
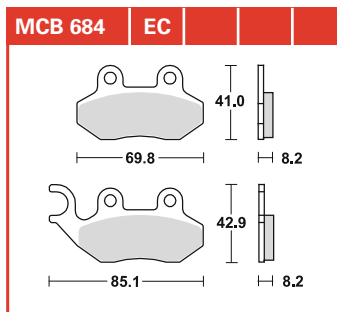
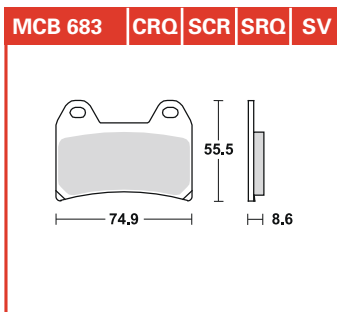
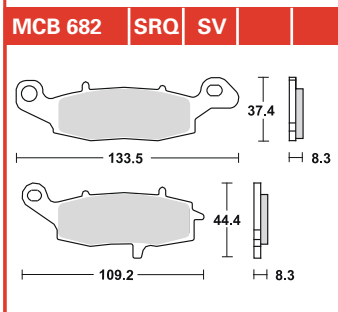
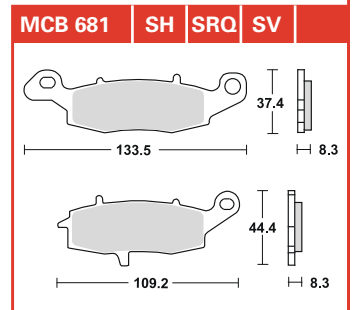
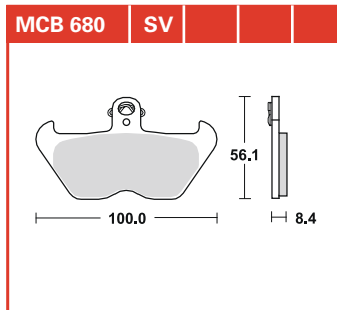
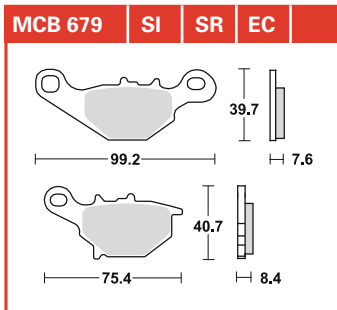
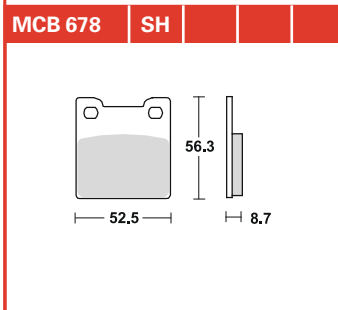
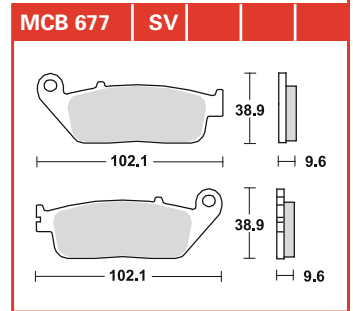
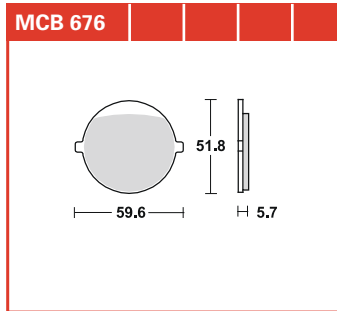
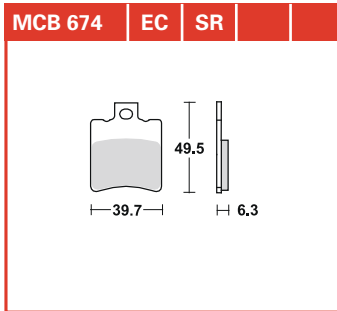
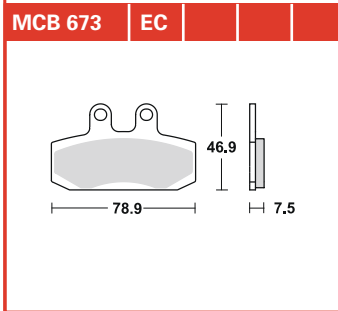
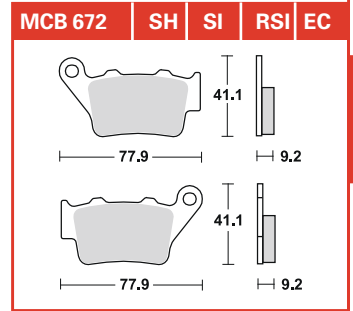
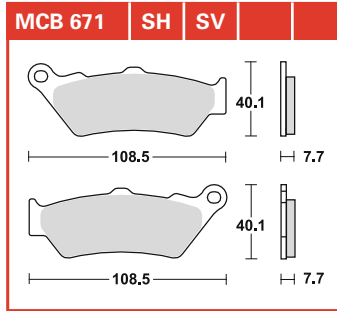
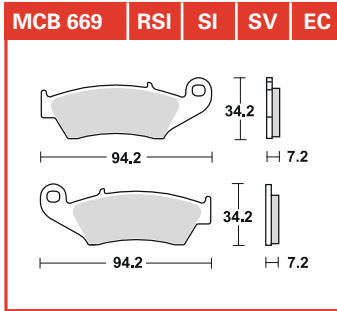
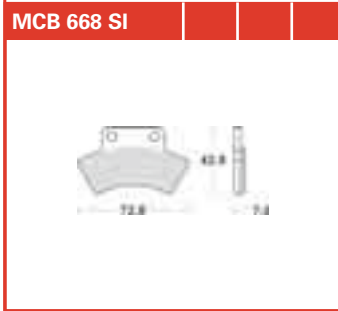
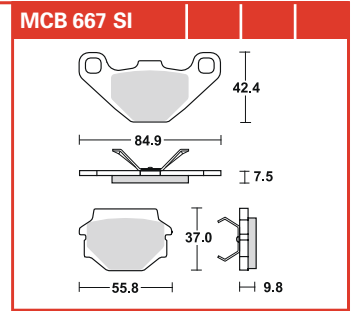
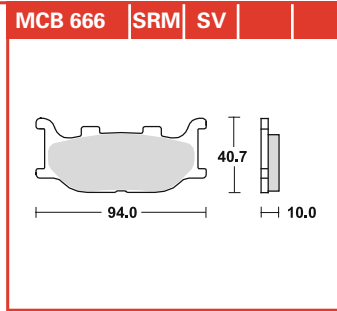
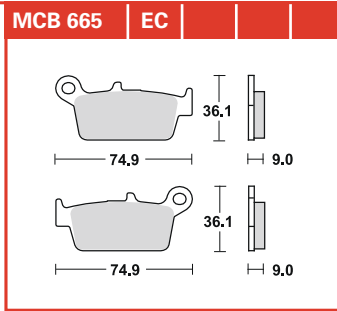
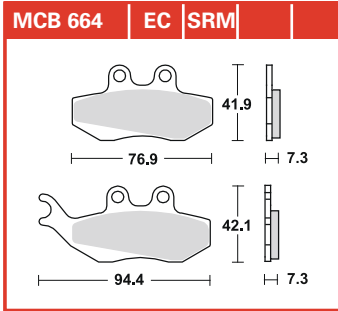
|                               |                                  |   |   |
|-------------------------------|----------------------------------|---|---|
| <b>MCB 549</b>   SI<br>       | <b>MCB 550</b><br>               | <b>MCB 551</b><br>                                  | <b>MCB 552</b><br>                          |
| <b>MCB 553</b><br>            | <b>MCB 554</b>   SI<br>          | <b>MCB 555</b> ersetzt durch <b>MCB 523</b><br><br> | <b>MCB 556</b><br>                          |
| <b>MCB 557</b>   SRM<br>      | <b>MCB 558</b>   SI<br>          | <b>MCB 559</b>   SV<br>                             | <b>MCB 560</b>   SI<br><br>                 |
| <b>MCB 561</b>   EC<br>       | <b>MCB 562</b>   SRQ   SV<br>    | <b>MCB 563</b><br>                                  | <b>MCB 564</b>   SR<br>                     |
| <b>MCB 568</b>   SV<br>       | <b>MCB 569</b>   SH   SV<br><br> | <b>MCB 570</b><br>                                  | <b>MCB 571</b>   SV<br>                     |
| <b>MCB 572</b>   RQ   SRQ<br> | <b>MCB 573</b><br><br>           | <b>MCB 574</b>   RSI   SI<br><br>                   | <b>MCB 575</b>   RSI   SI   SR   EC<br><br> |

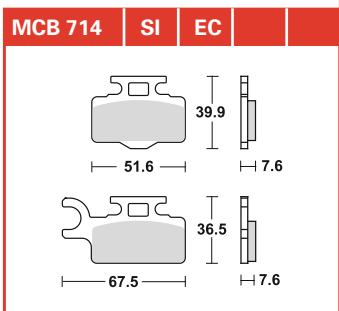
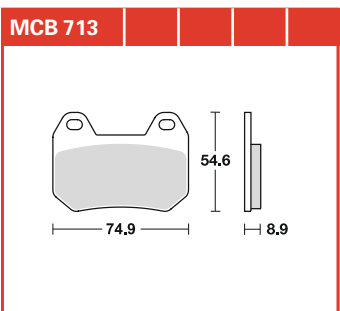
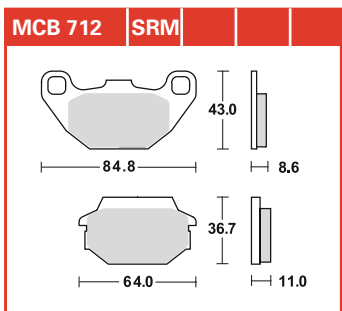
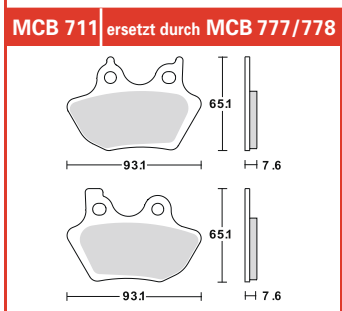
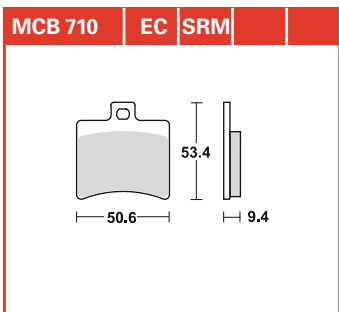
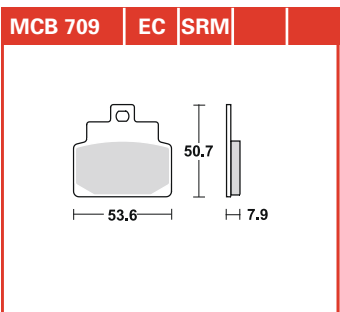
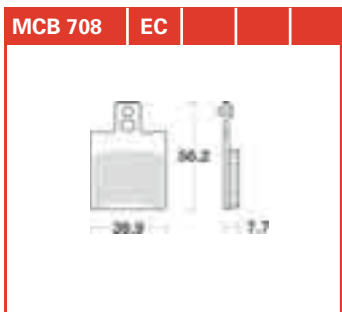
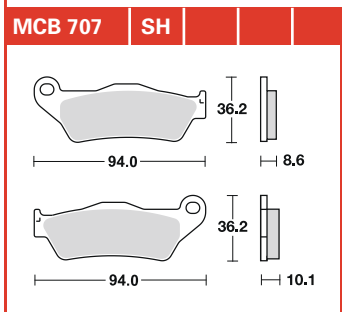
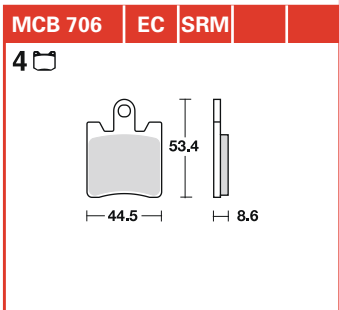
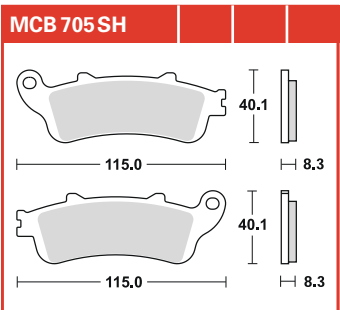
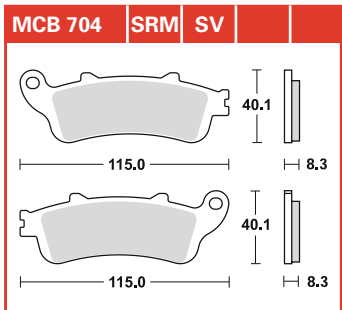
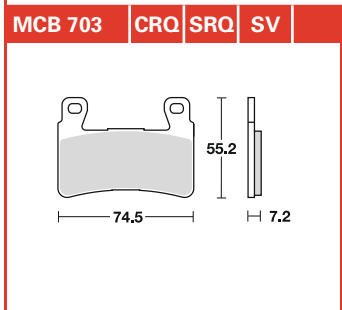
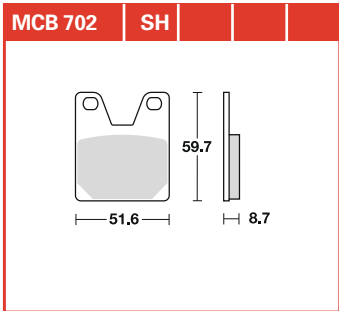
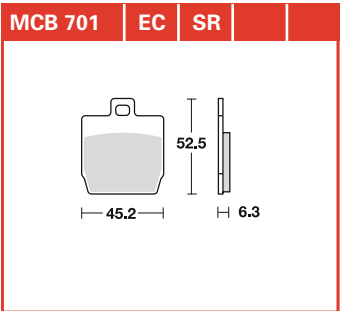
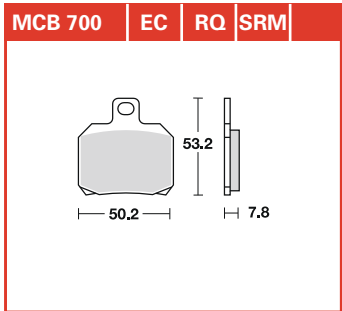
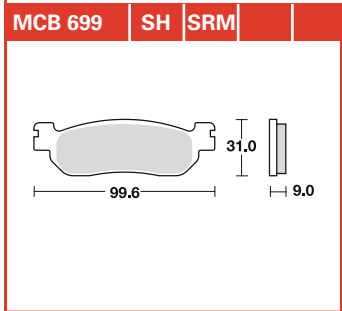
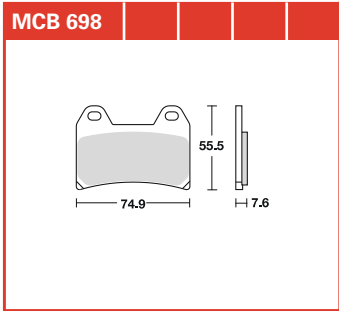
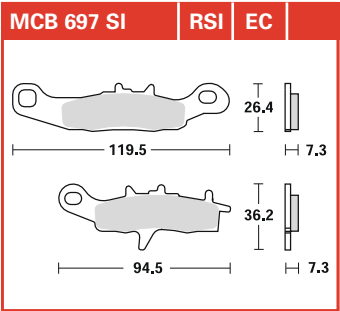
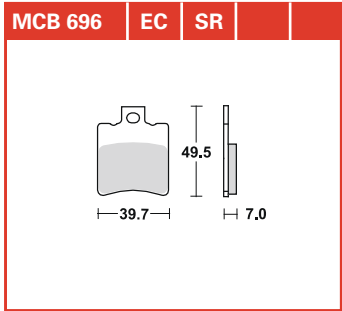
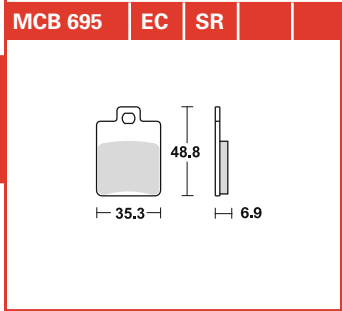
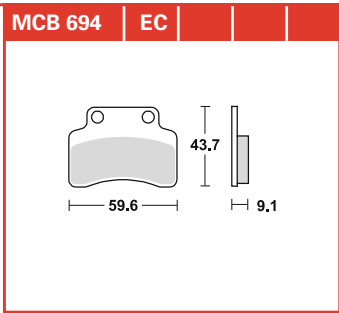
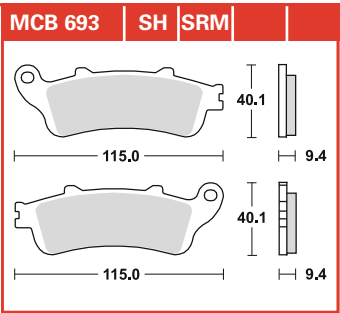
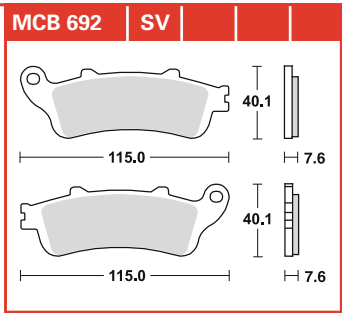
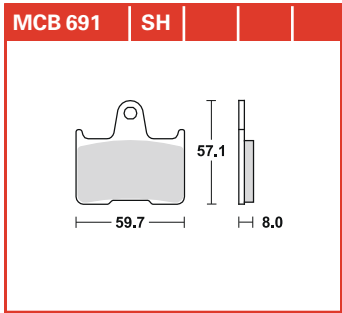
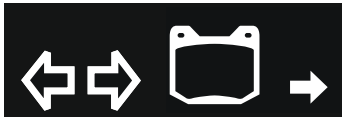


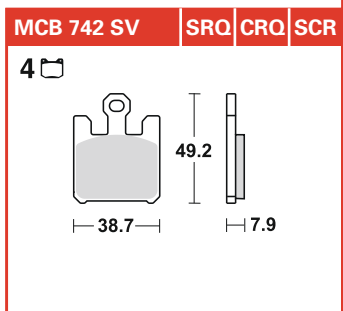
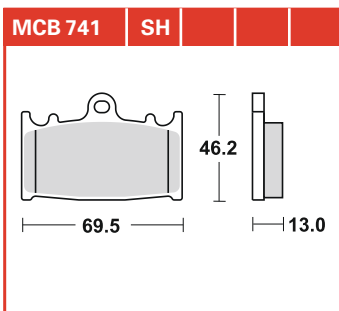
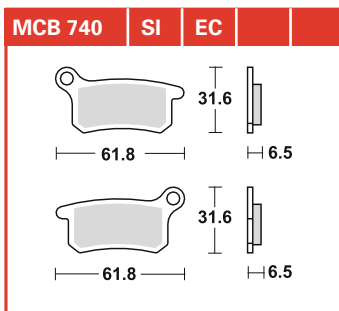
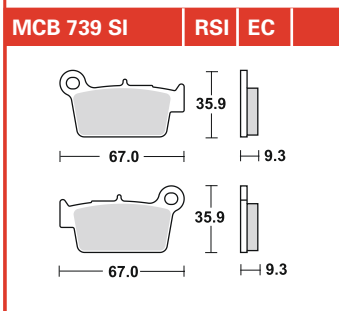
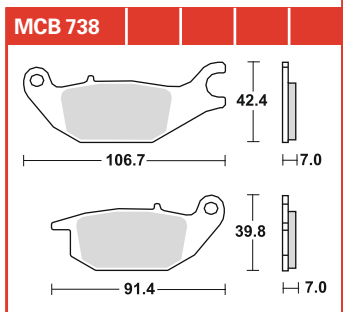
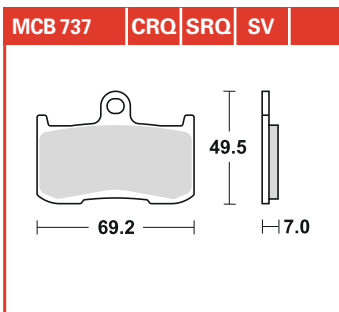
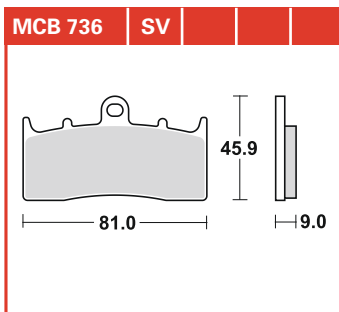
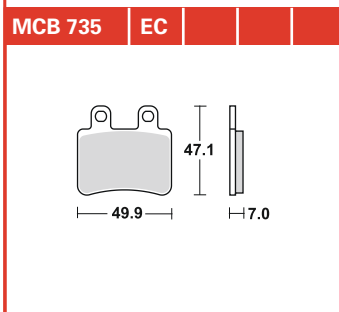
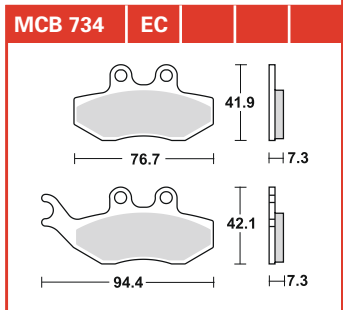
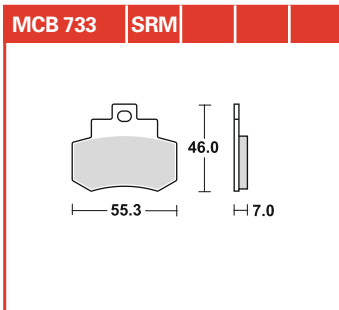
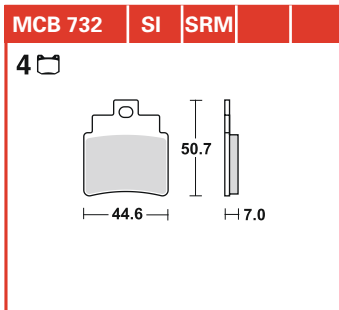
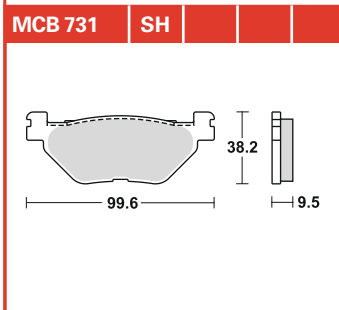
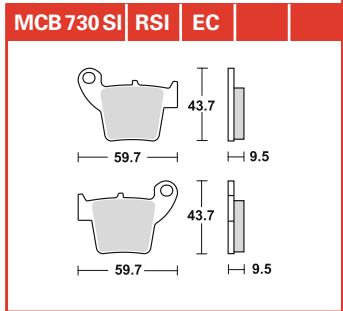
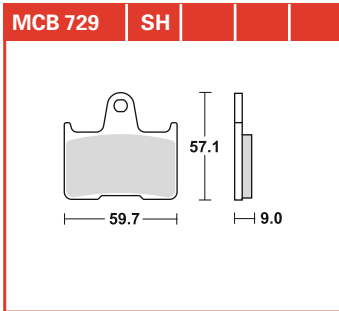
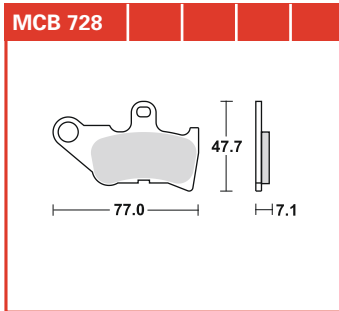
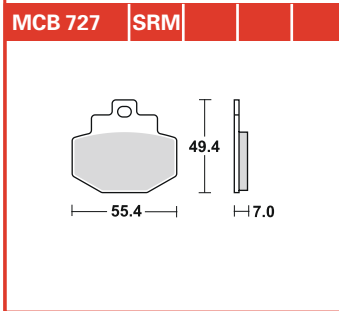
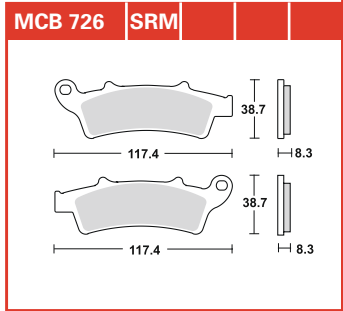
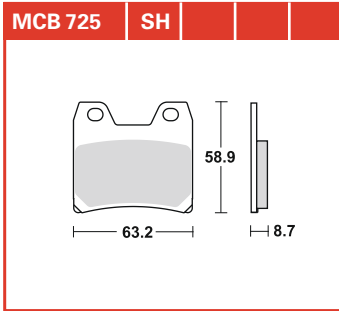
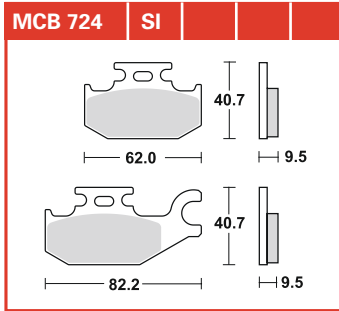
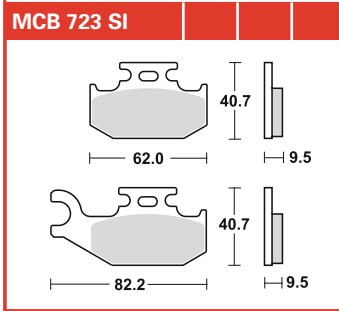
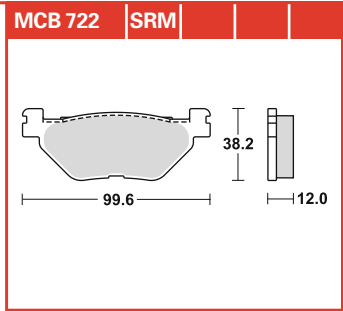
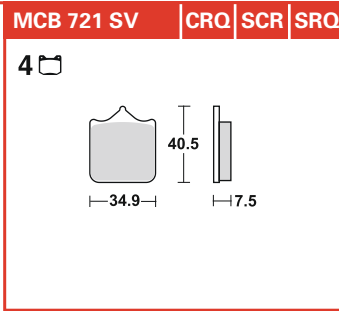
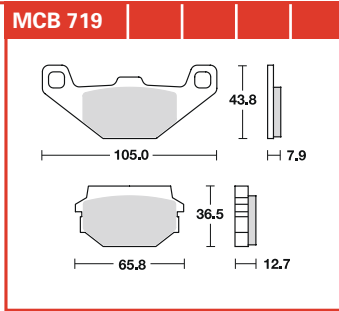
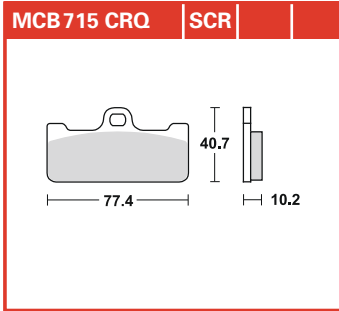


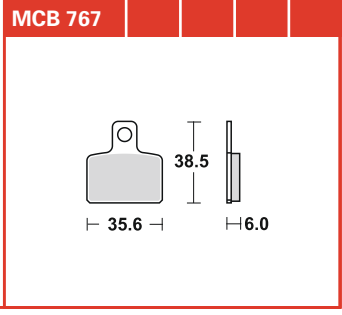
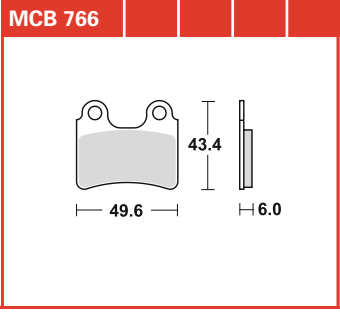
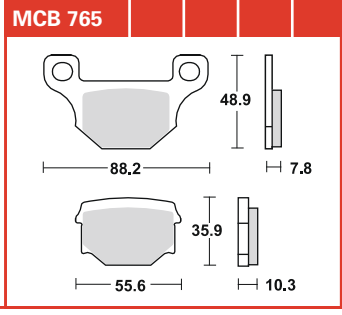
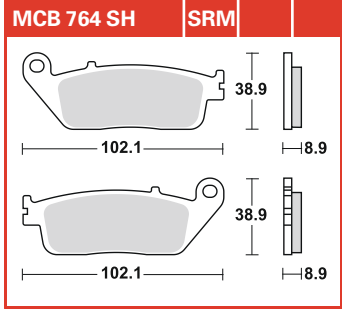
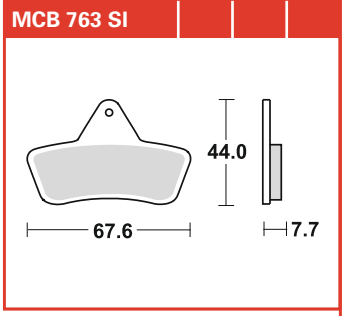
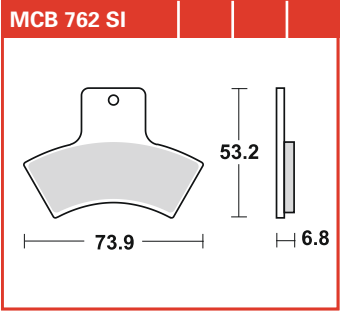
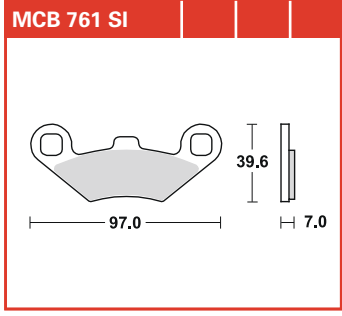
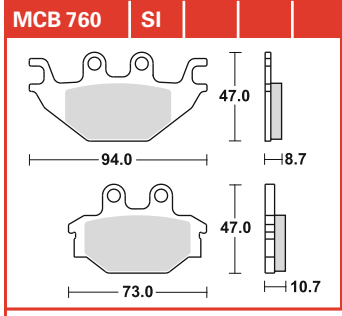
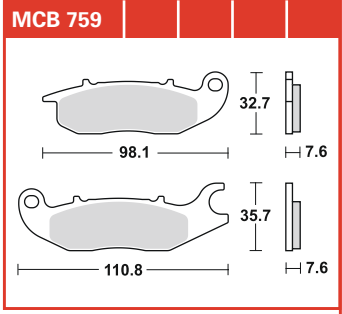
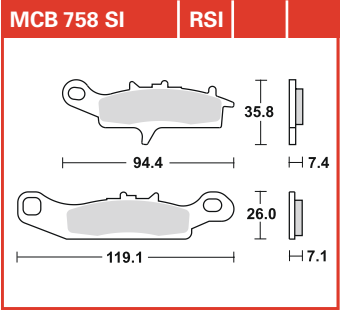
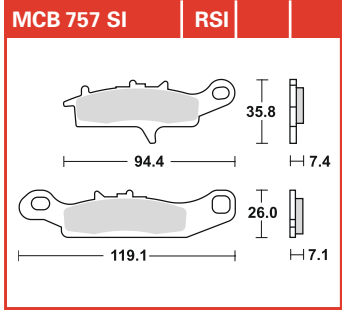
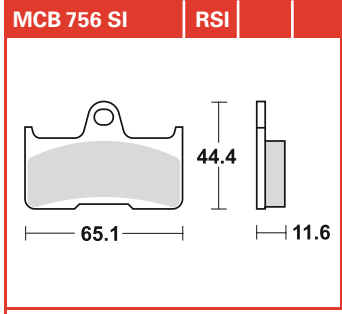
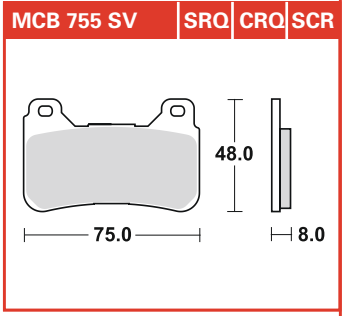
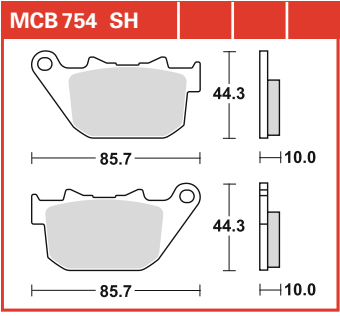
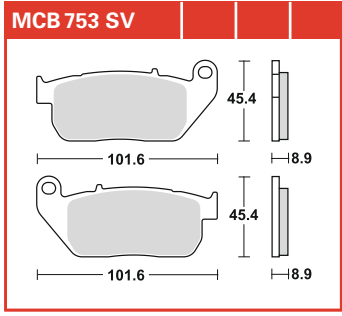
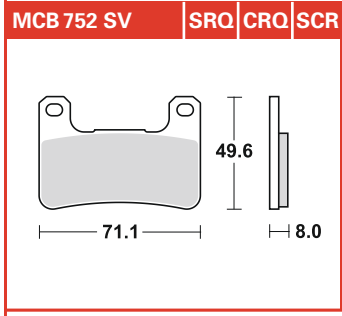
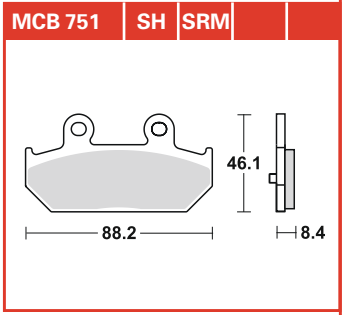
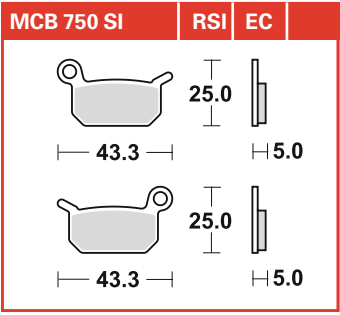
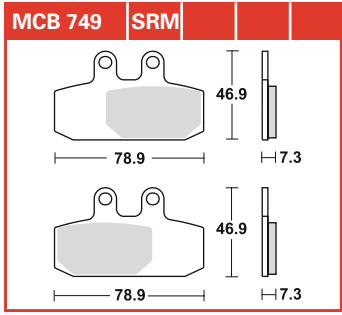
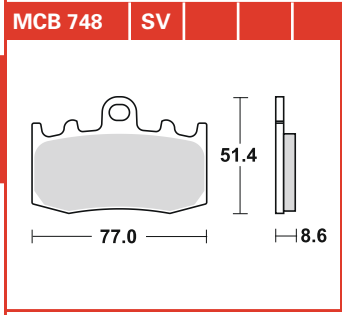
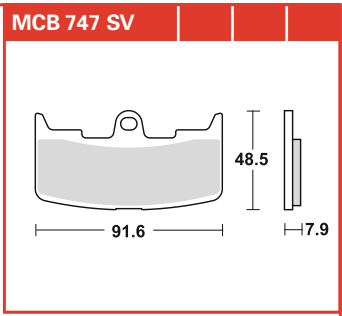
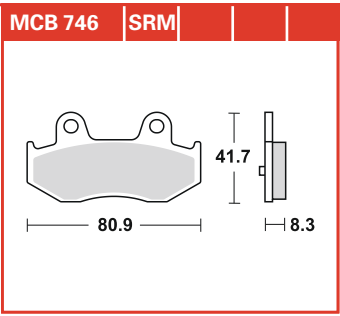
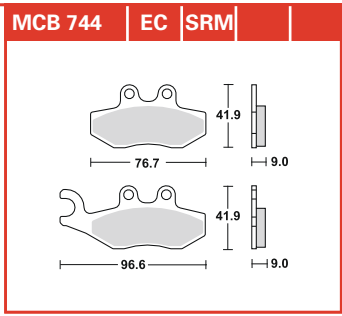
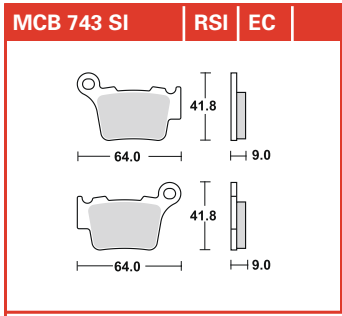
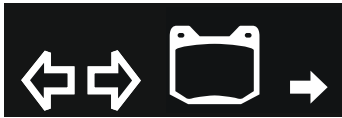


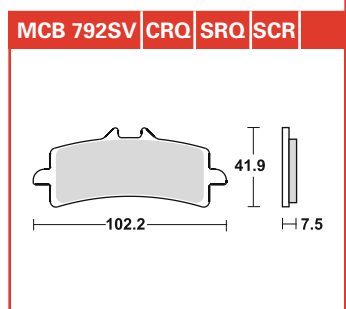
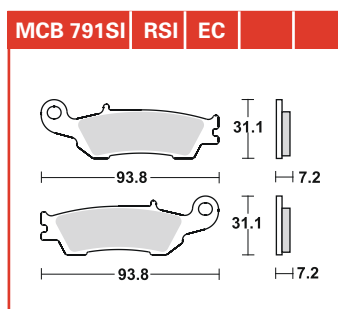
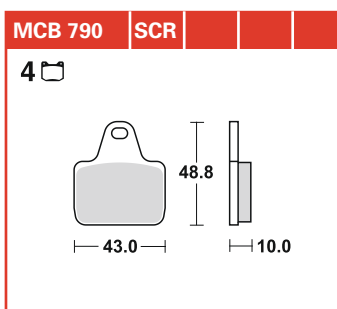
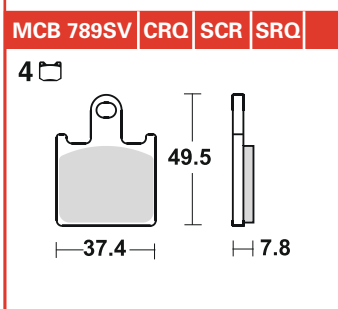
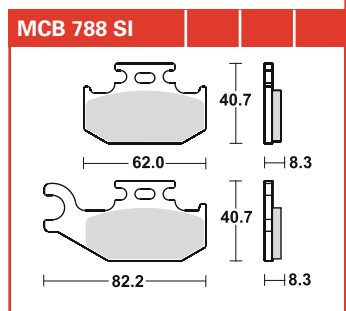
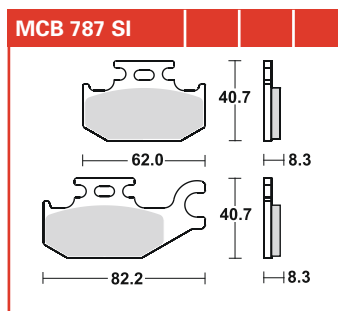
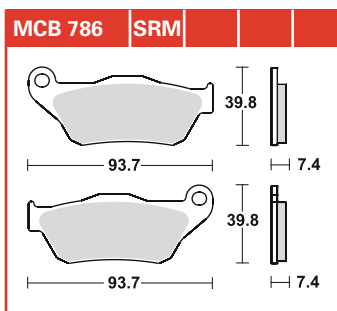
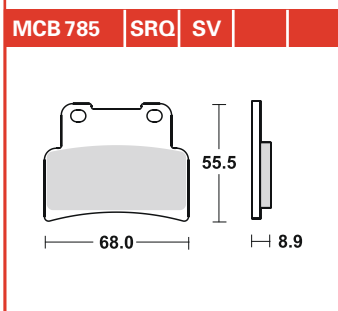
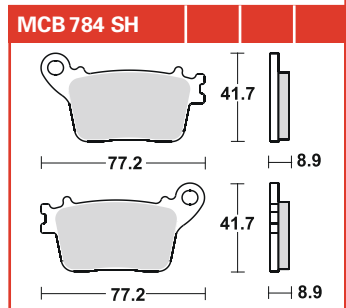
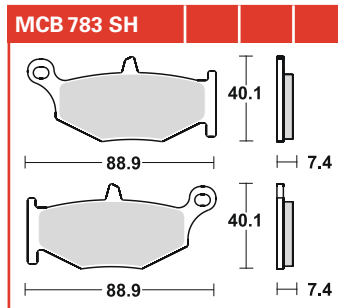
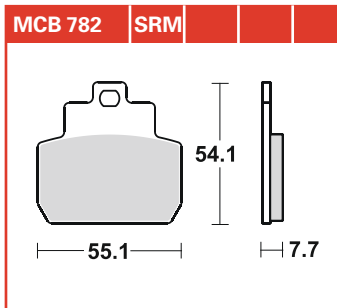
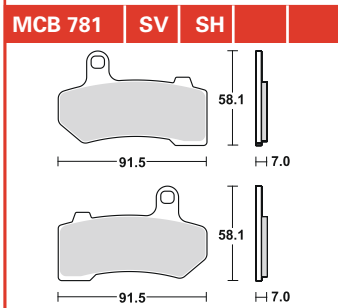
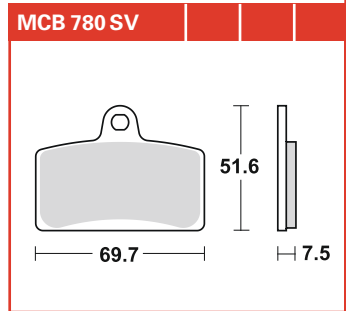
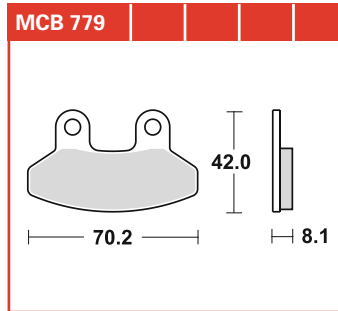
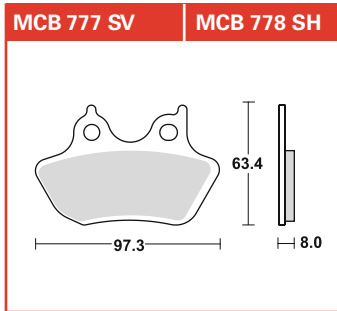
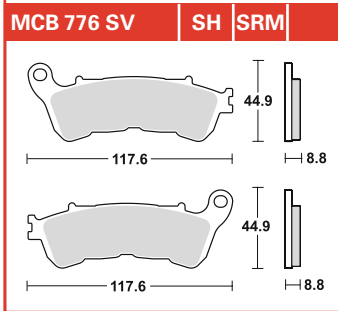
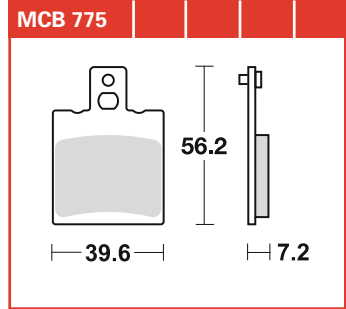
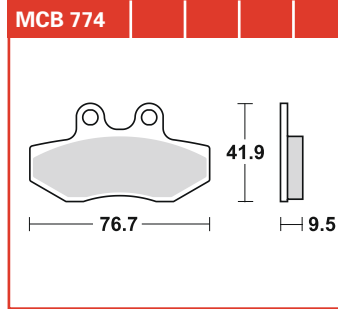
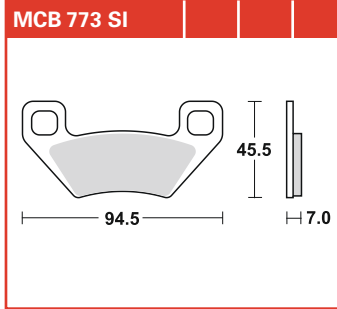
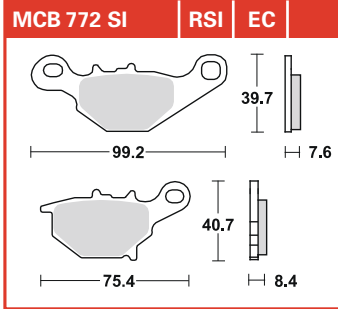
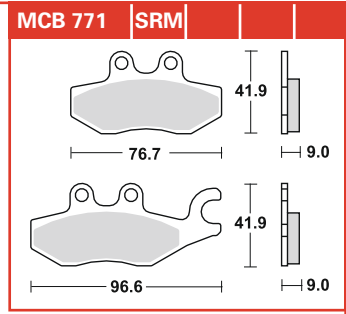
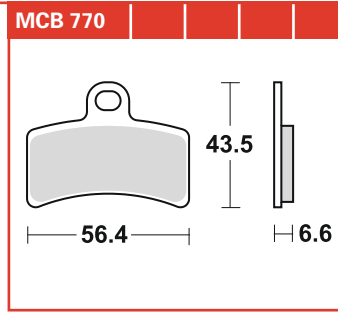
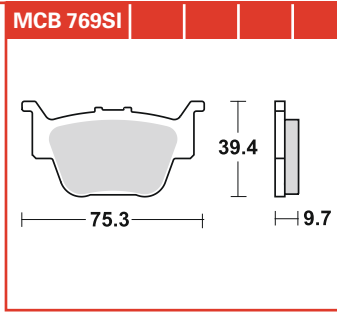
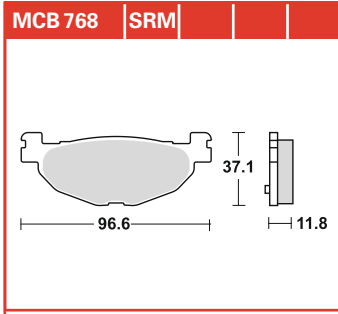




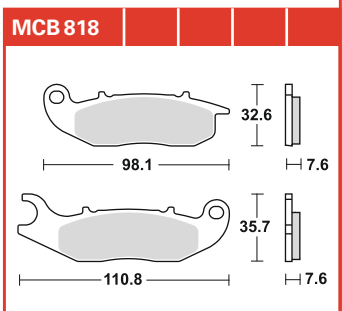
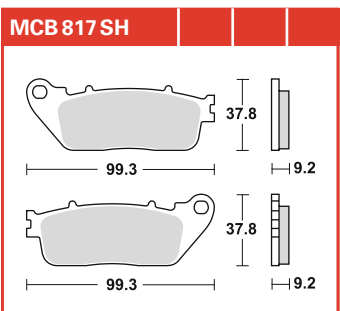
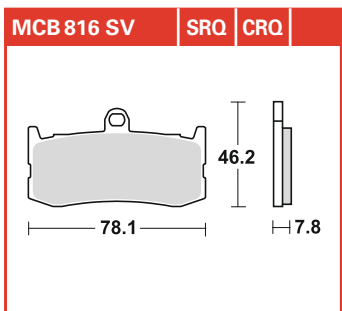
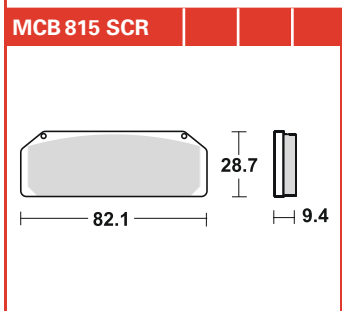
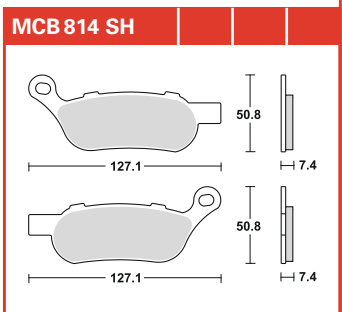
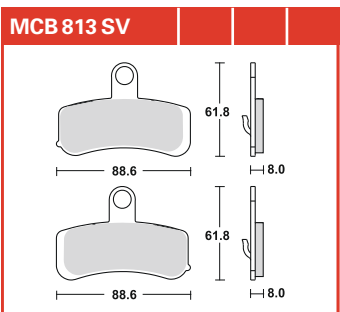
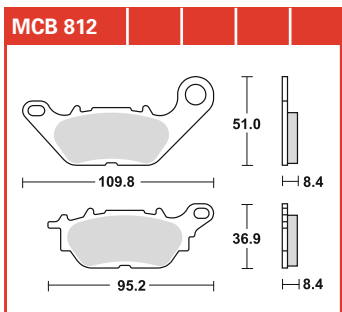
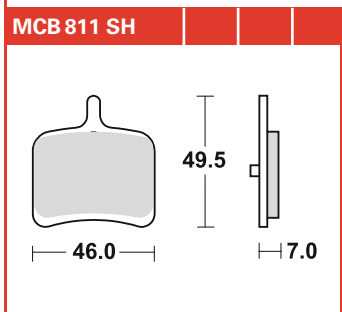
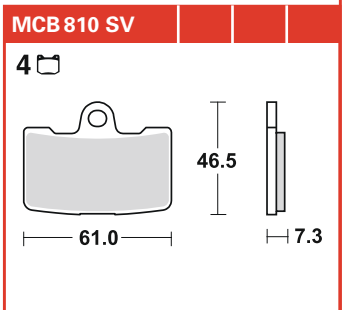
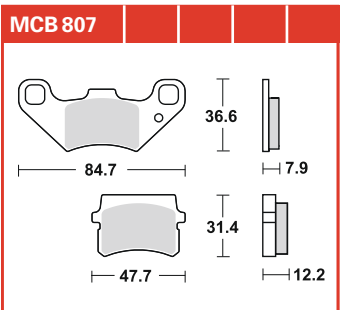
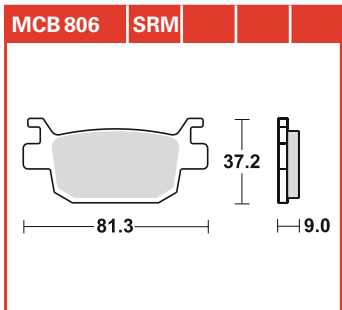
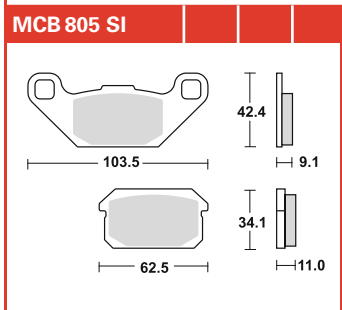
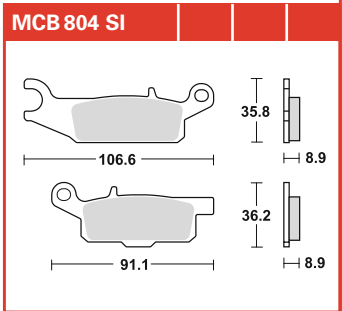
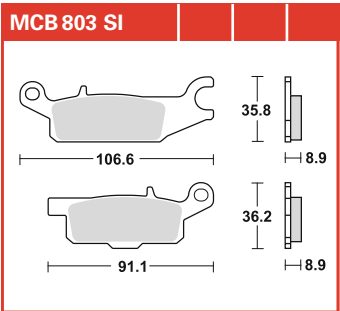
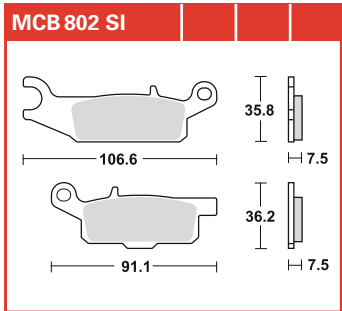
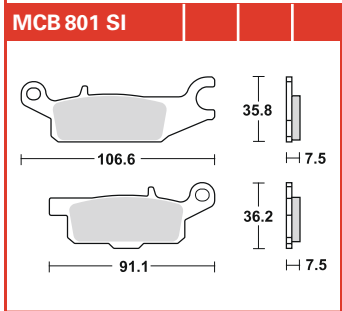
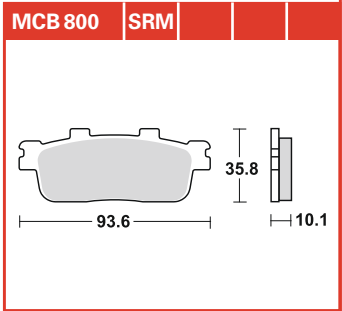
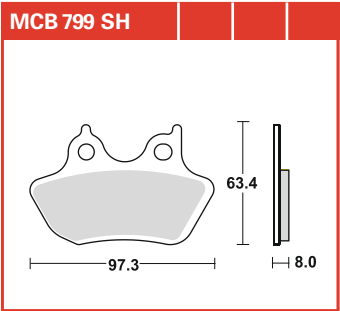
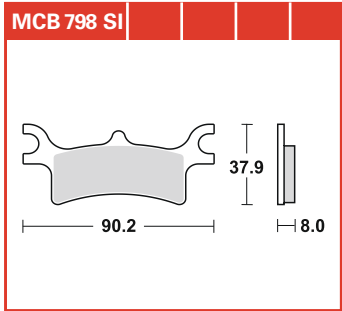
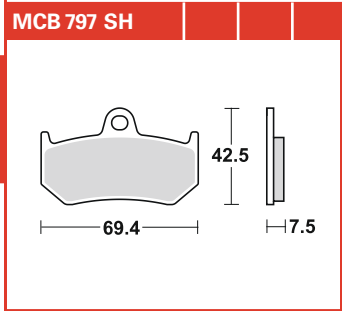
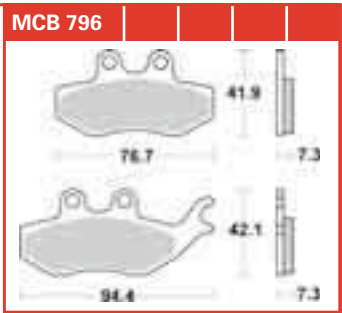
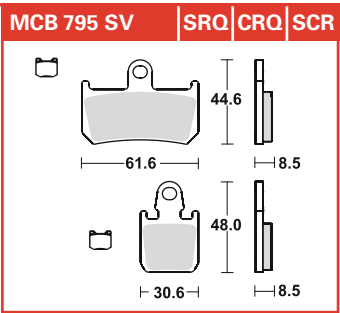
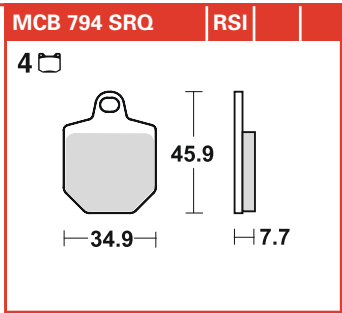
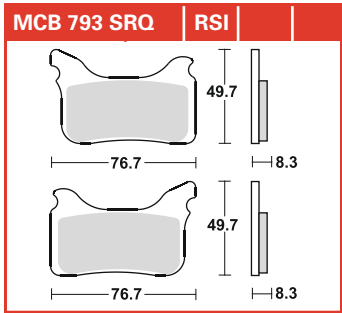
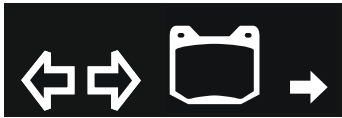






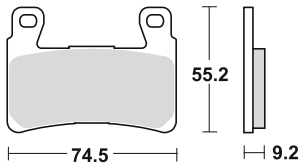








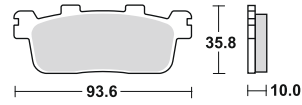
MCB 819 SV



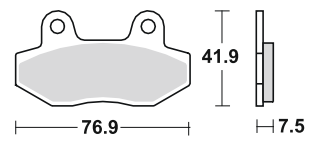
MCB 820



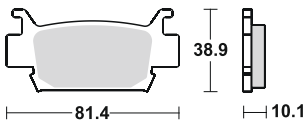
MCB 821 SRM



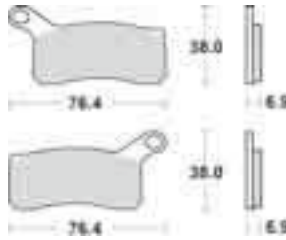
MCB 822 SV



MCB 823 SI



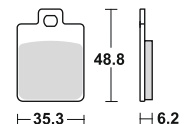
MCB 824 SI



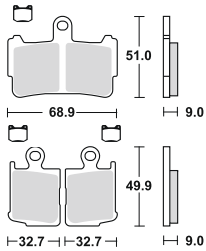
MCB 825 SI



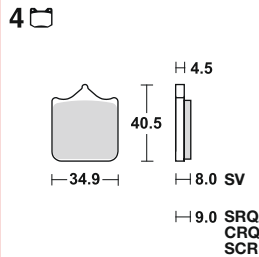
MCB 827 SRM



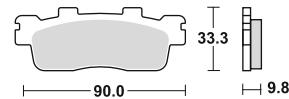
MCB 828 SV



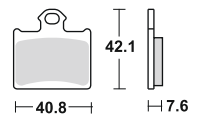
MCB 829 SV CRQ SCR SRQ



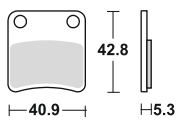
MCB 830 SRM



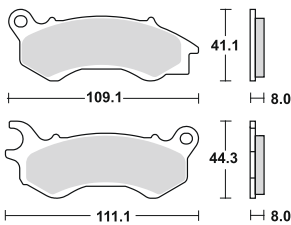
MCB 831 SI EC



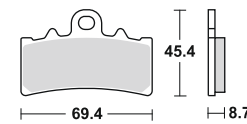
MCB 832 P



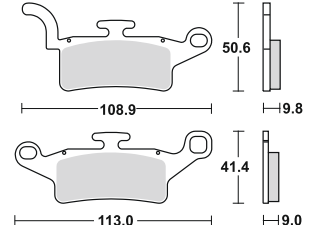
MCB 833



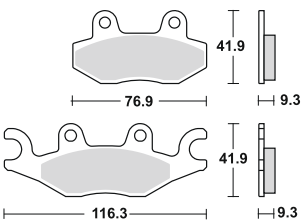
MCB 834



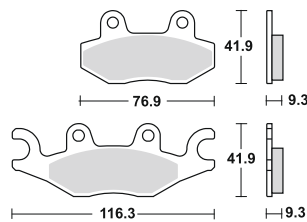
MCB 835



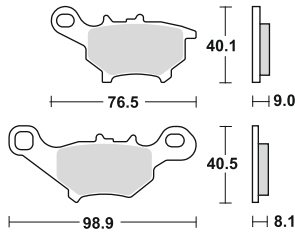
MCB 836 SI



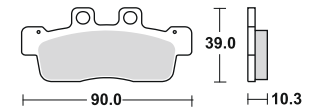
MCB 837 SRM



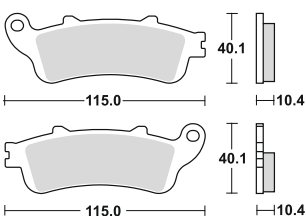
MCB 838



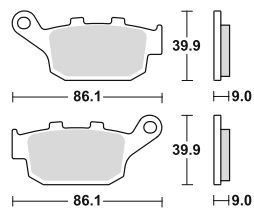
MCB 839



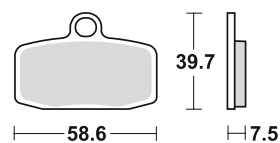
MCB 840 SH



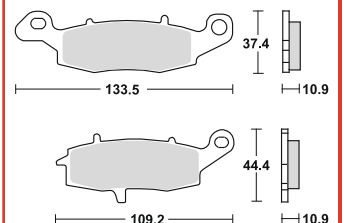
MCB 841 SH

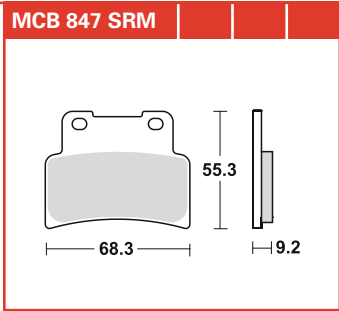
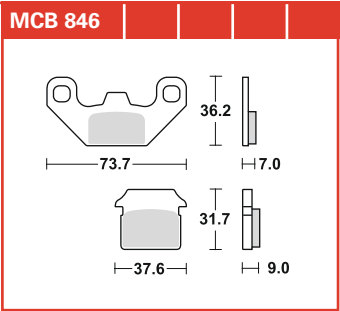
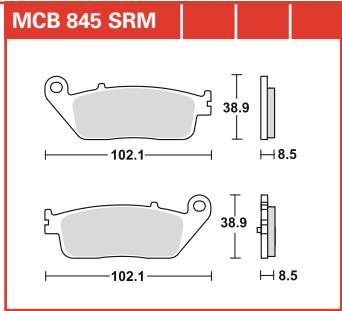
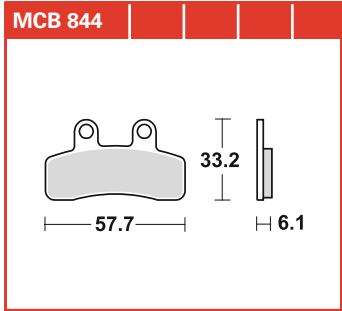
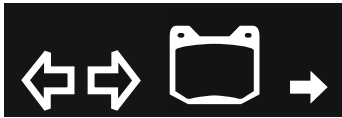


MCB 842 SI



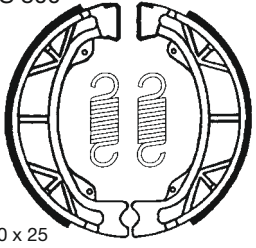
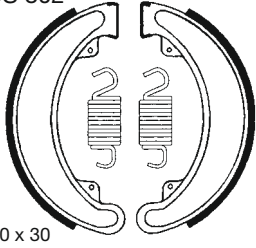
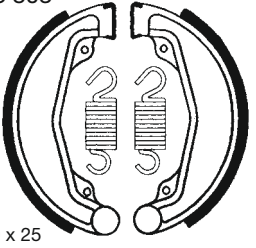
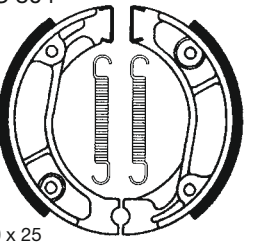
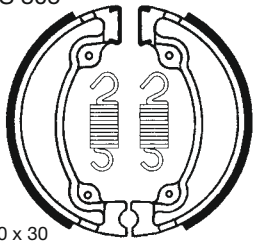
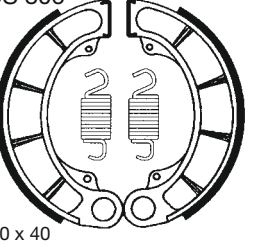
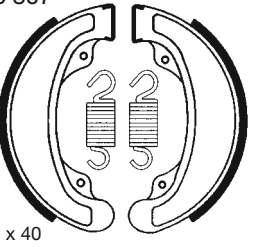
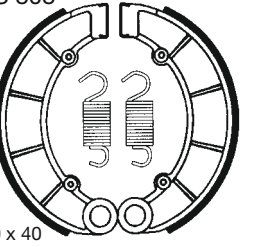
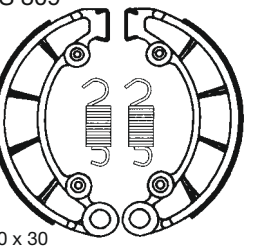
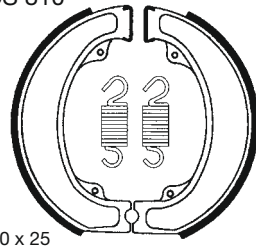
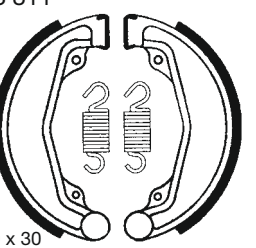
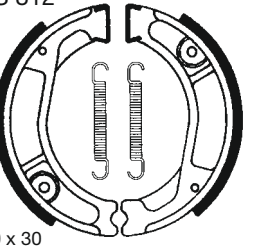
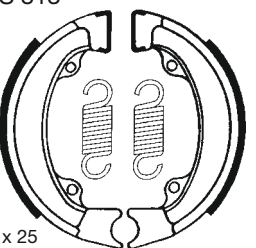
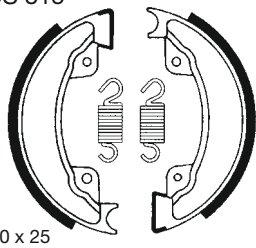
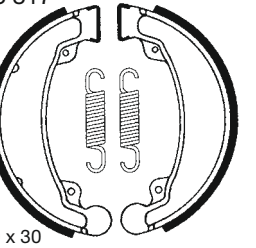
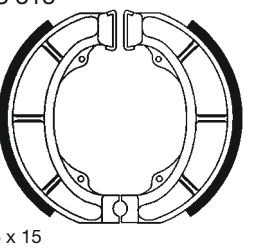
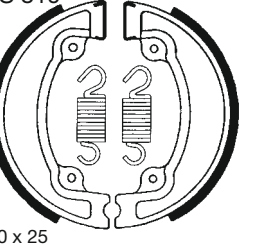
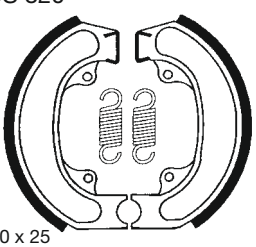
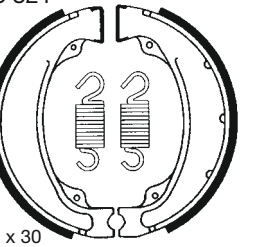
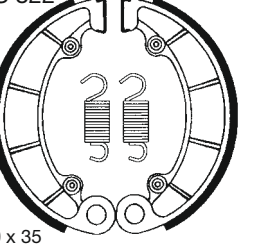
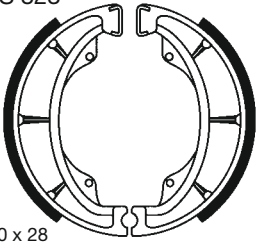
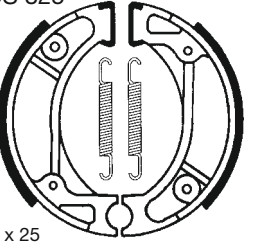
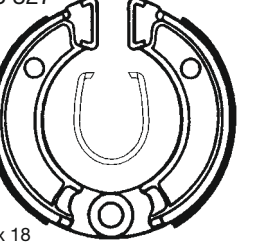
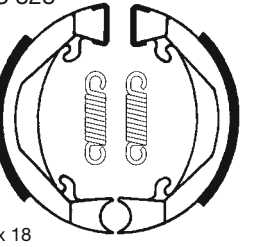
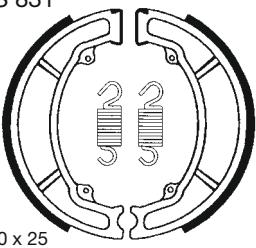
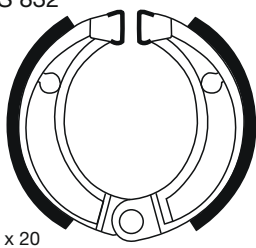
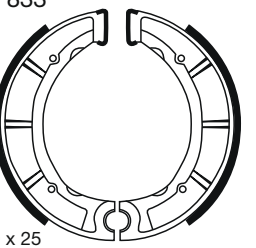
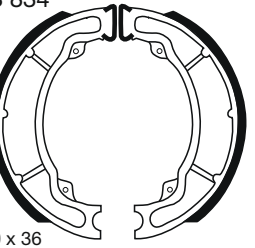
MCB 843 SH





|  |  |  |  |
|--|--|--|--|
|  |  |  |  |
|  |  |  |  |
|  |  |  |  |
|  |  |  |  |
|  |  |  |  |
|  |  |  |  |
|  |  |  |  |



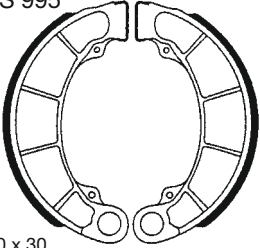
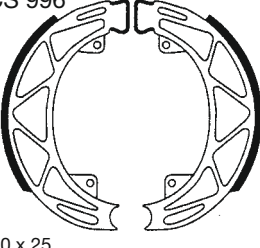
|   |  |   |  |
|---|--|---|--|
| <p>MCS 800</p>  <p>ø 110 x 25</p>   | <p>MCS 802</p>  <p>ø 160 x 30</p>   | <p>MCS 803</p>  <p>ø 140 x 25</p>   | <p>MCS 804</p>  <p>ø 110 x 25</p>   |
| <p>MCS 805</p>  <p>ø 130 x 30</p>   | <p>MCS 806</p>  <p>ø 160 x 40</p>   | <p>MCS 807</p>  <p>ø 140 x 40</p>   | <p>MCS 808</p>  <p>ø 180 x 40</p>   |
| <p>MCS 809</p>  <p>ø 180 x 30</p>   | <p>MCS 810</p>  <p>ø 160 x 25</p>   | <p>MCS 811</p>  <p>ø 140 x 30</p>   | <p>MCS 812</p>  <p>ø 110 x 30</p>   |
| <p>MCS 813</p>  <p>ø 95 x 25</p>  | <p>MCS 815</p>  <p>ø 130 x 25</p> | <p>MCS 817</p>  <p>ø 130 x 30</p> | <p>MCS 818</p>  <p>ø 115 x 15</p> |
| <p>MCS 819</p>  <p>ø 130 x 25</p> | <p>MCS 820</p>  <p>ø 130 x 25</p> | <p>MCS 821</p>  <p>ø 140 x 30</p> | <p>MCS 822</p>  <p>ø 180 x 35</p> |
| <p>MCS 823</p>  <p>ø 130 x 28</p> | <p>MCS 825</p>  <p>ø 95 x 25</p>  | <p>MCS 827</p>  <p>ø 80 x 18</p>  | <p>MCS 828</p>  <p>ø 80 x 18</p>  |
| <p>MCS 831</p>  <p>ø 130 x 25</p> | <p>MCS 832</p>  <p>ø 85 x 20</p>  | <p>MCS 833</p>  <p>ø 159 x 25</p> | <p>MCS 834</p>  <p>ø 180 x 36</p> |



|                                  |                                  |                                  |                                  |
|----------------------------------|----------------------------------|----------------------------------|----------------------------------|
| <p>MCS 835</p> <p>ø 130 x 25</p> | <p>MCS 851</p> <p>ø 200 x 35</p> | <p>MCS 852</p> <p>ø 180 x 40</p> | <p>MCS 853</p> <p>ø 160 x 30</p> |
| <p>MCS 854</p> <p>ø 110 x 30</p> | <p>MCS 855</p> <p>ø 130 x 28</p> | <p>MCS 857</p> <p>ø 90 x 20</p>  | <p>MCS 861</p> <p>ø 120 x 35</p> |
| <p>MCS 890</p> <p>ø 160 x 30</p> | <p>MCS 891</p> <p>ø 150 x 30</p> | <p>MCS 892</p> <p>ø 180 x 35</p> | <p>MCS 901</p> <p>ø 110 x 25</p> |
| <p>MCS 902</p> <p>ø 150 x 28</p> | <p>MCS 904</p> <p>ø 180 x 28</p> | <p>MCS 905</p> <p>ø 180 x 40</p> | <p>MCS 907</p> <p>ø 160 x 30</p> |
| <p>MCS 915</p> <p>ø 120 x 22</p> | <p>MCS 919</p> <p>ø 160 x 30</p> | <p>MCS 920</p> <p>ø 90 x 20</p>  | <p>MCS 921</p> <p>ø 120 x 25</p> |
| <p>MCS 940</p> <p>ø 200 x 30</p> | <p>MCS 941</p> <p>ø 200 x 25</p> | <p>MCS 943</p> <p>ø 200 x 23</p> | <p>MCS 944</p> <p>ø 200 x 30</p> |
| <p>MCS 945</p> <p>ø 200 x 27</p> | <p>MCS 950</p> <p>ø 180 x 40</p> | <p>MCS 951</p> <p>ø 110 x 25</p> | <p>MCS 952</p> <p>ø 160 x 25</p> |



|                                  |                                  |                                  |                                  |
|----------------------------------|----------------------------------|----------------------------------|----------------------------------|
| <p>MCS 953</p> <p>ø 130 x 28</p> | <p>MCS 954</p> <p>ø 180 x 30</p> | <p>MCS 955</p> <p>ø 150 x 25</p> | <p>MCS 956</p> <p>ø 110 x 25</p> |
| <p>MCS 957</p> <p>ø 200 x 40</p> | <p>MCS 958</p> <p>ø 160 x 30</p> | <p>MCS 959</p> <p>ø 180 x 36</p> | <p>MCS 960</p> <p>ø 80 x 17</p>  |
| <p>MCS 961</p> <p>ø 95 x 20</p>  | <p>MCS 962</p> <p>ø 110 x 25</p> | <p>MCS 963</p> <p>ø 95 x 20</p>  | <p>MCS 964</p> <p>ø 130 x 22</p> |
| <p>MCS 967</p> <p>ø 200 x 35</p> | <p>MCS 968</p> <p>ø 130 x 28</p> | <p>MCS 969</p> <p>ø 130 x 28</p> | <p>MCS 980</p> <p>ø 150 x 24</p> |
| <p>MCS 981</p> <p>ø 125 x 17</p> | <p>MCS 982</p> <p>ø 170 x 26</p> | <p>MCS 983</p> <p>ø 170 x 26</p> | <p>MCS 984</p> <p>ø 110 x 25</p> |
| <p>MCS 985</p> <p>ø 104 x 20</p> | <p>MCS 986</p> <p>ø 110 x 23</p> | <p>MCS 987</p> <p>ø 110 x 25</p> | <p>MCS 989</p> <p>ø 100 x 20</p> |
| <p>MCS 990</p> <p>ø 110 x 23</p> | <p>MCS 991</p> <p>ø 100 x 20</p> | <p>MCS 993</p> <p>ø 100 x 25</p> | <p>MCS 994</p> <p>ø 140 x 25</p> |

|  |  |  |  |
|--|--|--|--|
| <p>MCS 995</p>  <p>ø 160 x 30</p> | <p>MCS 996</p>  <p>ø 140 x 25</p> |  |  |
|  |  |  |  |
|  |  |  |  |
|  |  |  |  |
|  |  |  |  |
|  |  |  |  |
|  |  |  |  |
|  |  |  |  |
|  |  |  |  |
|  |  |  |  |